

**SNAPNRACK ULTRA RAIL UNIVERSAL TILE HOOK FOR MOUNTING TO TILE ROOFS**

REFER TO SNAPNRACK ENGINEERING CHARTS FOR APPLICABLE RAIL SPANS. "BIN" NUMBER ON CHART SHOULD MATCH "BIN" NUMBER ON THIS DRAWING

5/16"Ø S.S. LAG SCREW MUST EMBED A MIN. OF 2 1/2" INTO STRUCTURAL MEMBER

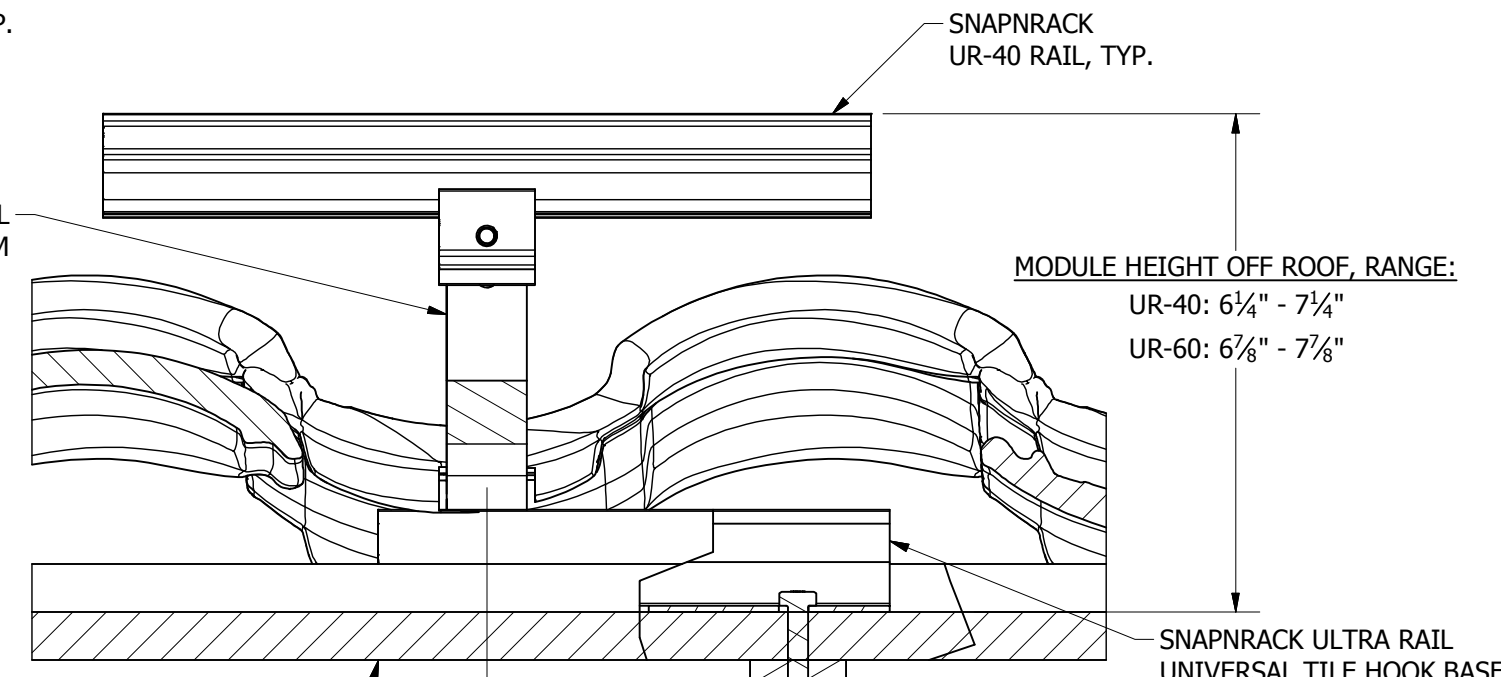
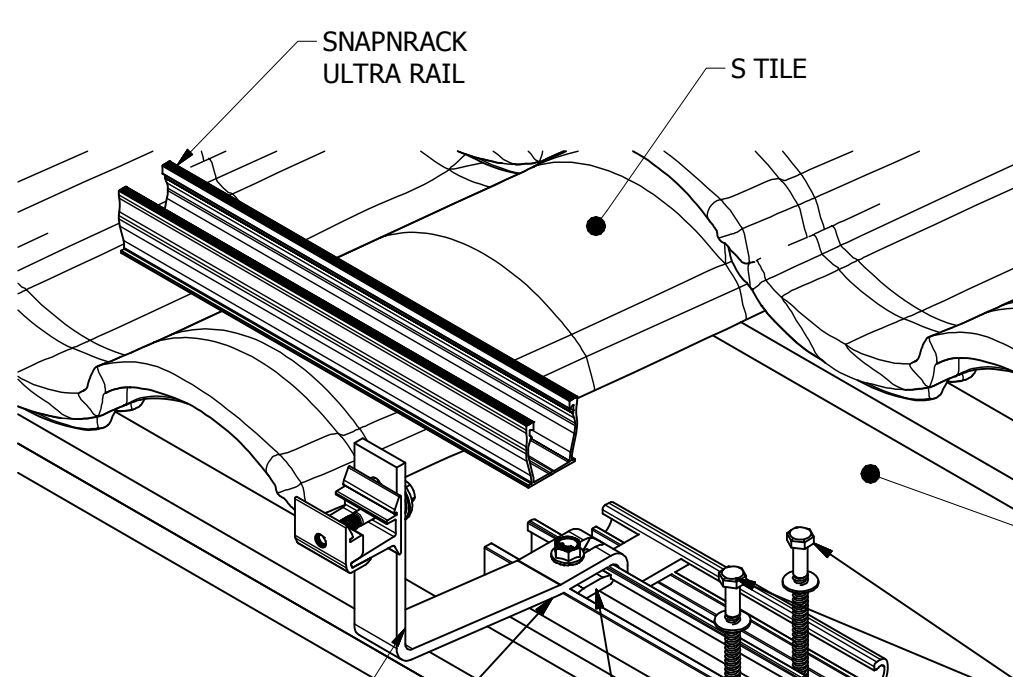
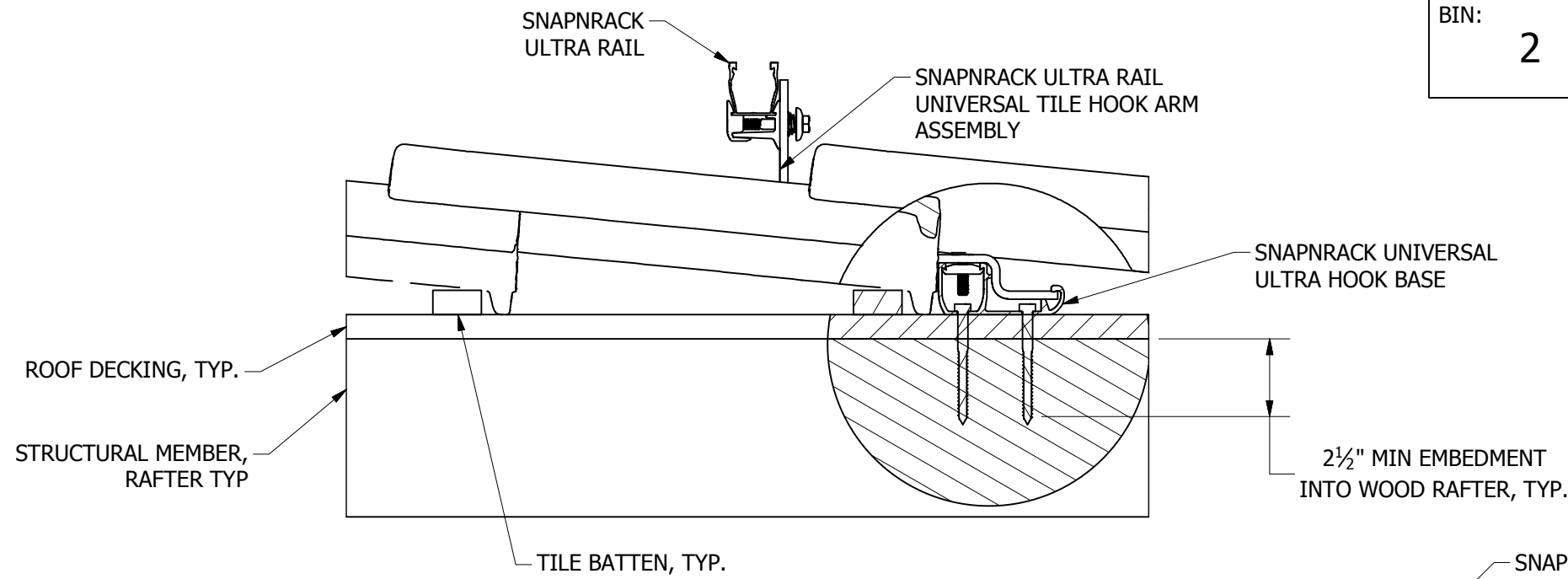
REFER TO SNAPNRACK INSTALLATION MANUAL FOR 5/16"Ø HARDWARE TORQUE SPECIFICATIONS

RAILS CAN MOUNT TO EITHER SIDE OF TILE HOOK (UPSLOPE VS. DOWNSLOPE)

RAILS CAN BE LEVELLED UP TO 1 1/4" USING THE SLOT IN THE TILE HOOK.

BIN: 2

REVISION:			
1	5/7/2019	NEW DETAIL	MJA

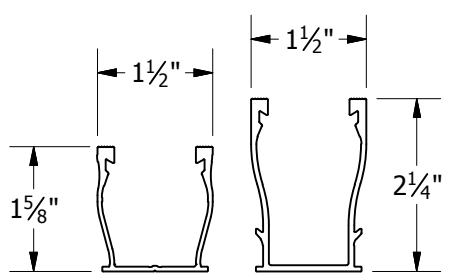


**STEP 1:**  
REMOVE TILES TO EXPOSE ROOF DECKING

(2X) 5/16"Ø LAG SCREWS, S.S. WITH FLAT WASHERS

**STEP 2:**  
DRILL TWO 3/16"Ø PILOT HOLES INTO RAFTER. SEAL ROOF PENETRATIONS WITH APPROPRIATE SELANT. FASTEN BASE TO ROOF WITH QTY. (2) 5/16"Ø LAG SCREWS WITH FLAT WASHERS.

**STEP 3:**  
ATTACH TILE HOOK ARM TO BASE



UR-40 RAIL | UR-60 RAIL  
FOR USE WITH SNAPNRACK ULTRA SERIES RAILS



Sunrun South LLC  
595 MARKET STREET, 29TH FLOOR • SAN FRANCISCO, CA 94105 USA  
PHONE (415) 580-6900 • FAX (415) 580-6902  
THE INFORMATION IN THIS DRAWING IS CONFIDENTIAL AND PROPRIETARY. ANY REPRODUCTION, DISCLOSURE, OR USE THEREOF IS PROHIBITED WITHOUT THE WRITTEN CONSENT OF SUNRUN SOUTH LLC.

DESIGNER: G.MCPHEETERS  
DRAFTER: M.AFFENTRANGER  
APPROVED BY: B.PETERSON

SCALE: DNS  
DATE: 5/7/2019

DRAWING NUMBER:  
SNR-DC-00347

DESCRIPTION: ULTRA RAIL, ATTACHMENT DETAIL, ULTRA RAIL UNIVERSAL TILE HOOK TO RAFTER

REV: 1