

SNAPNRACK ULTRA RAIL STANDARD STANDOFF ON 1-HOLE BASE FOR MOUNTING TO VARIOUS ROOF TYPES

REFER TO SNAPNRACK ENGINEERING CHARTS FOR APPLICABLE RAIL SPANS. "BIN" NUMBER ON CHART SHOULD MATCH "BIN" NUMBER ON THIS DRAWING

MIN. 3 FULL THREADS PROJECTING THROUGH PURLIN WHEN FASTENING WITH 1/4"Ø TEK SCREW OR EQUIVALENT. USE TEK SCREW MANUFACTURER TORQUE SPECIFICATION

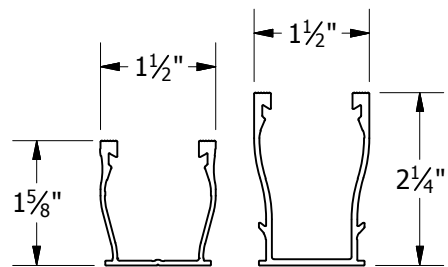
REFER TO SNAPNRACK INSTALLATION MANUAL FOR 5/16"Ø HARDWARE TORQUE SPECIFICATIONS

RAILS CAN MOUNT UPSLOPE OR DOWNSLOPE OF THE STANDOFF SHAFT

FOR LEVELING DETAILS, REFER TO SNAPNRACK DETAIL DRAWING "SNR-DC-00334 ULTRA RAIL, COMPONENT DETAIL, LEVELING SPACER ON STANDOFF"

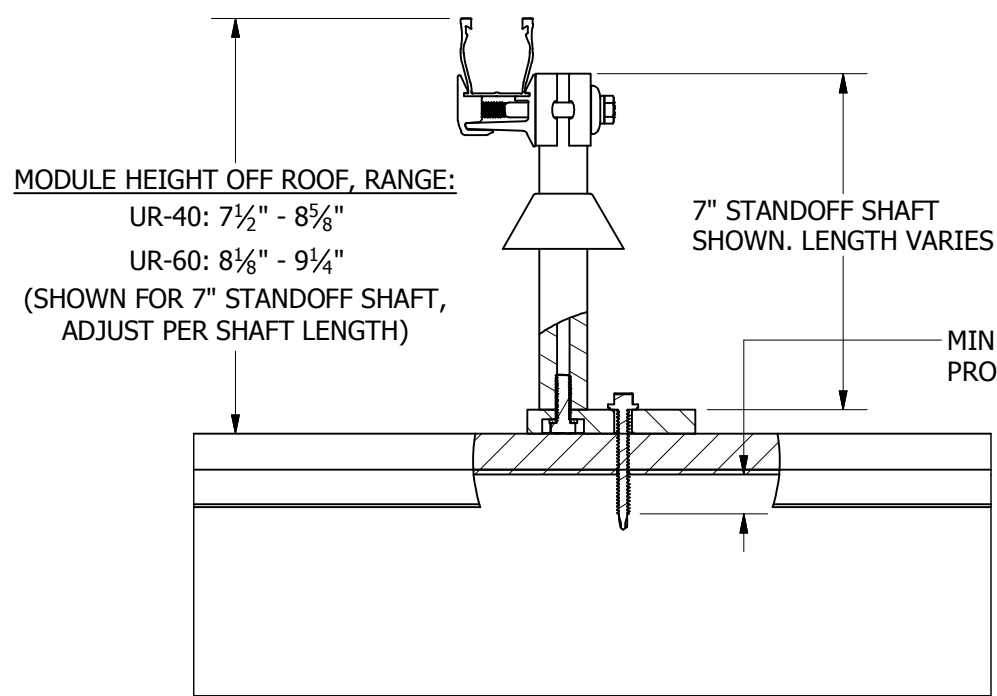
*A POURED SEALANT-STYLE FLASHING MAY BE USED WITH SNAPNRACK STANDOFFS AS AN ALTERNATIVE TO CONE FLASHINGS WHEN INSTALLED PER THE MANUFACTURER'S SPECIFICATIONS ON LOW-SLOPE ROOF SURFACES

*FLASH POST WITH STANDARD GLAVANIZED STEEL ROOF FLASHINGS FOR 1" DIAMETER VENT PIPE

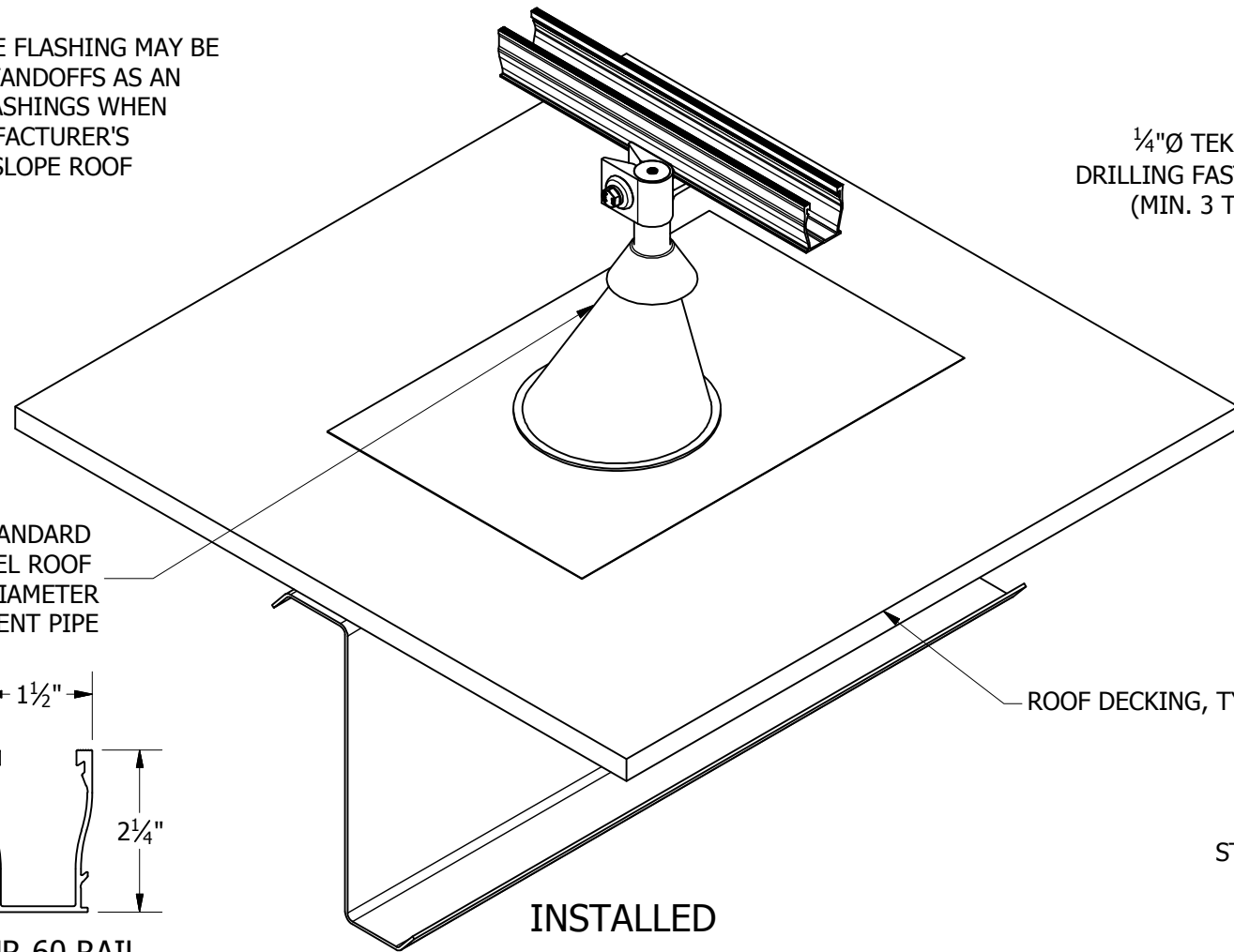


UR-40 RAIL | UR-60 RAIL

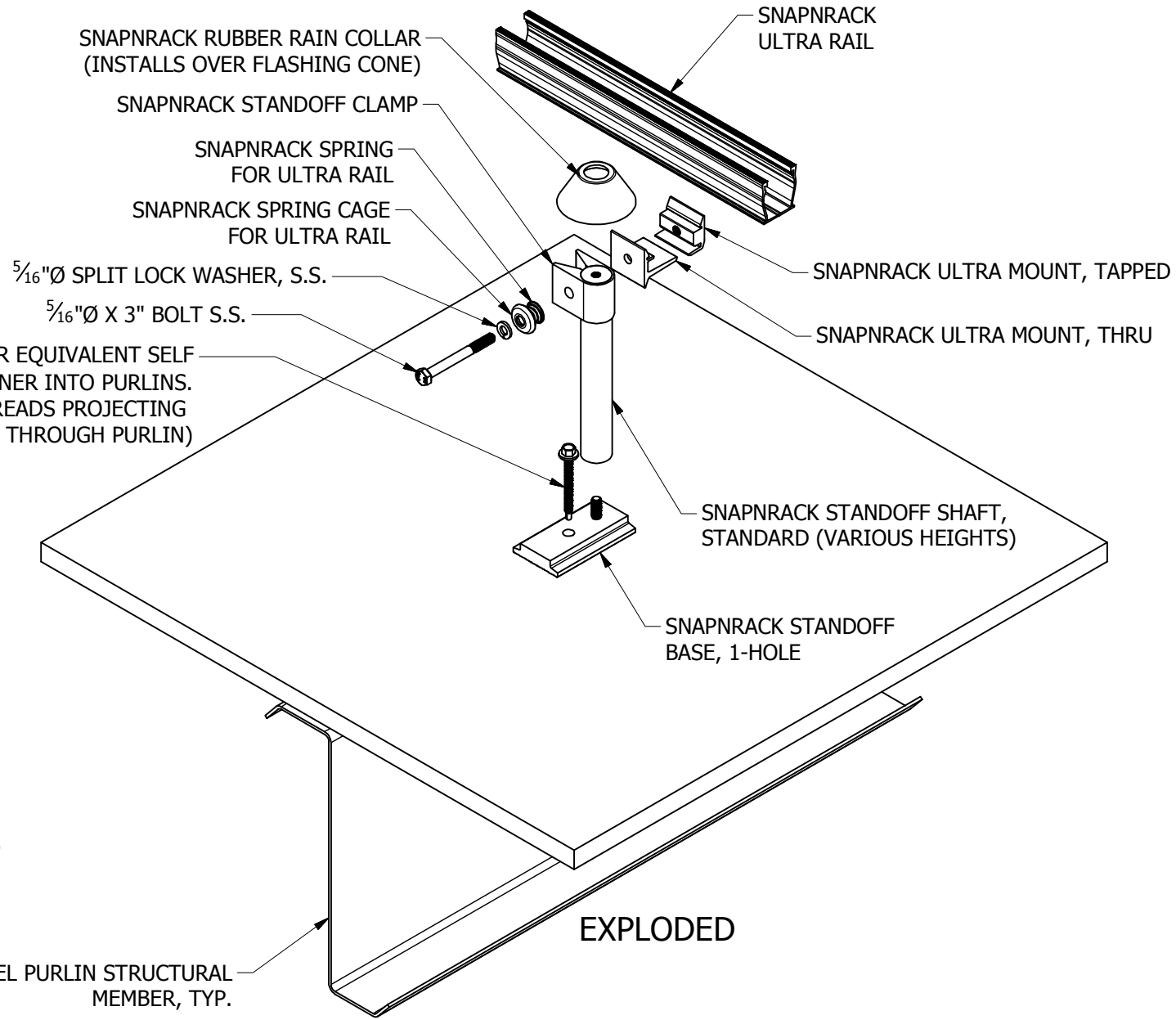
FOR USE WITH SNAPNRACK ULTRA SERIES RAILS



PENETRATION DETAIL



INSTALLED



EXPLODED

BIN: 5

REVISION:			
1	5/7/2019	NEW DETAIL	MJA



Sunrun South LLC
595 MARKET STREET, 29TH FLOOR • SAN FRANCISCO, CA 94105 USA
PHONE (415) 580-6900 • FAX (415) 580-6902
THE INFORMATION IN THIS DRAWING IS CONFIDENTIAL AND PROPRIETARY. ANY REPRODUCTION, DISCLOSURE, OR USE THEREOF IS PROHIBITED WITHOUT THE WRITTEN CONSENT OF SUNRUN SOUTH LLC.

DESIGNER: G.MCPHEETERS
DRAFTER: M.AFFENTRANGER
APPROVED BY: B.PETERSON

SCALE: DNS
DATE: 5/7/2019

DRAWING NUMBER: SNR-DC-00349

DESCRIPTION: ULTRA RAIL, ATTACHMENT DETAIL, 1-HOLE BASE WITH STANDOFF TO PURLIN

REV: 1