

SNAPNRACK ULTRA RAIL HD STANDOFF ON 6-HOLE BASE FOR MOUNTING TO VARIOUS ROOF TYPES

REFER TO SNAPNRACK ENGINEERING CHARTS FOR APPLICABLE RAIL SPANS. "BIN" NUMBER ON CHART SHOULD MATCH "BIN" NUMBER ON THIS DRAWING

5/16"Ø S.S. LAG SCREW MUST EMBED A MIN. OF 2 1/2" INTO STRUCTURAL MEMBER

REFER TO SNAPNRACK INSTALLATION MANUAL FOR 5/16"Ø HARDWARE TORQUE SPECIFICATIONS

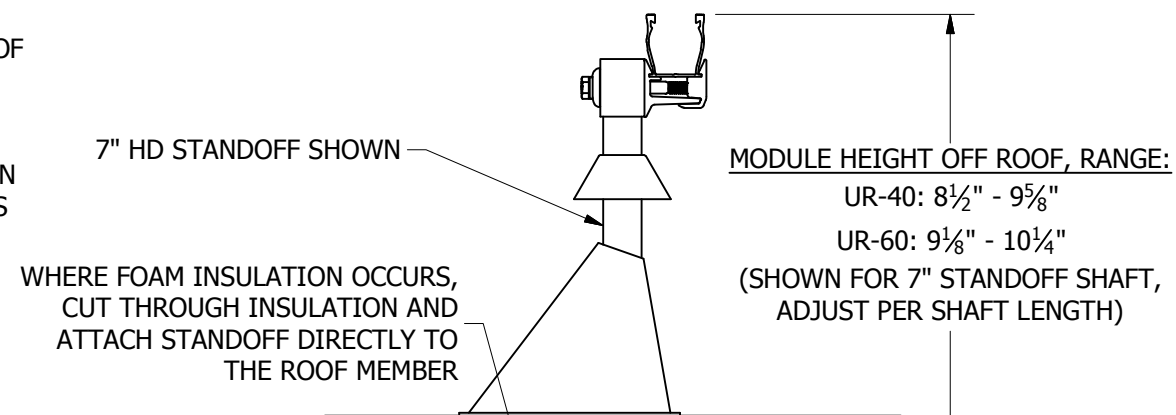
RAILS CAN MOUNT UPSLOPE OR DOWNSLOPE OF THE STANDOFF SHAFT

FOR LEVELING DETAILS, REFER TO SNAPNRACK DETAIL DRAWING "SNR-DC-00334 ULTRA RAIL, COMPONENT DETAIL, LEVELING SPACER ON STANDOFF"

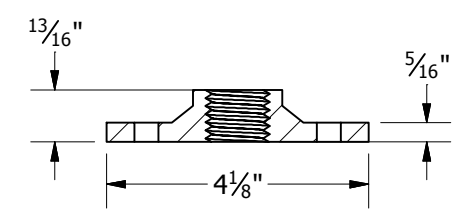
\*A Poured sealant-style flashing may be used with SnapNrack standoffs as an alternative to cone flashings when installed per the manufacturer's specifications on low-slope roof surfaces

BIN: 5

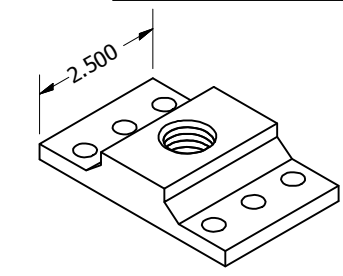
REVISION:			
1	5/7/2019	NEW DETAIL	MJA



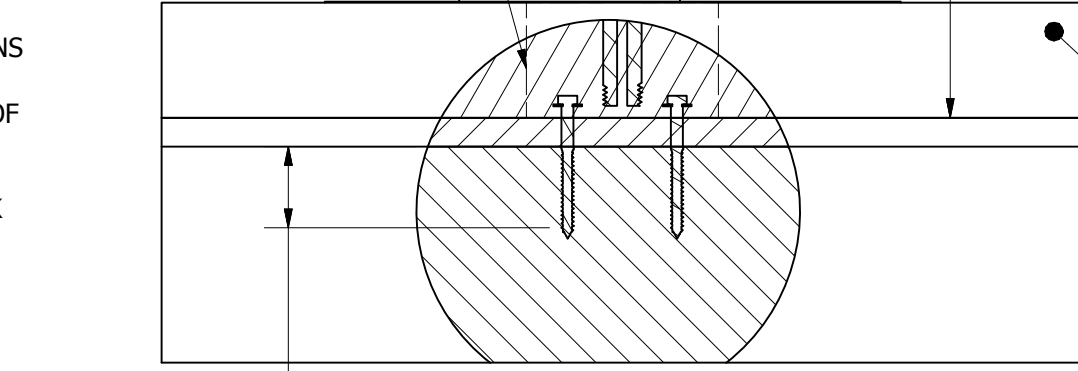
MODULE HEIGHT OFF ROOF, RANGE:  
 UR-40: 8 1/2" - 9 5/8"  
 UR-60: 9 1/8" - 10 1/4"  
 (SHOWN FOR 7" STANDOFF SHAFT, ADJUST PER SHAFT LENGTH)



6-HOLE BASE, CROSS SECTION

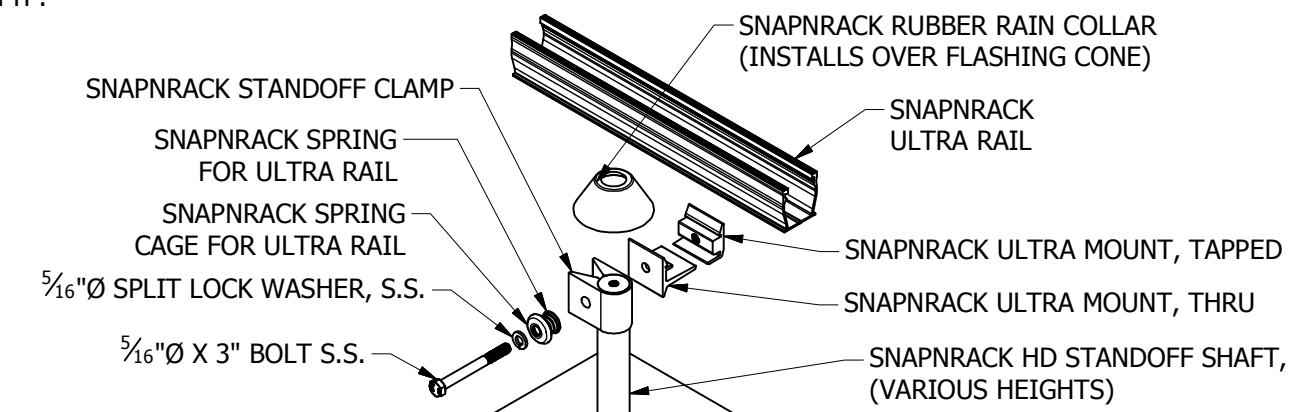


6-HOLE BASE, ISO



PENETRATION DETAIL

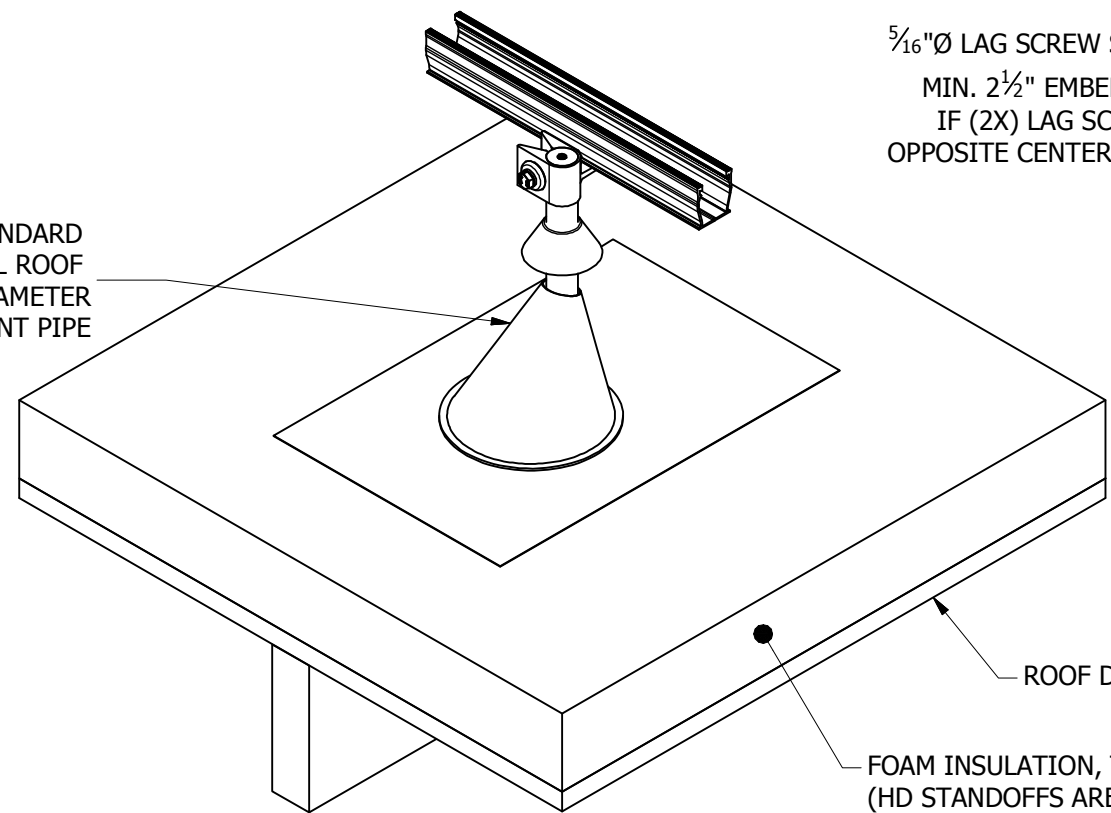
FOAM INSULATION, TYP.



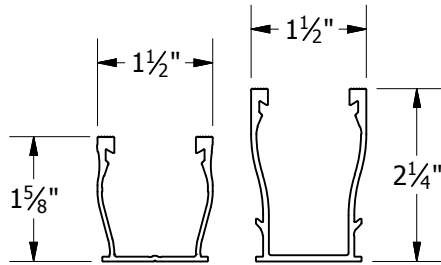
EXPLODED

5/16"Ø LAG SCREW S.S. WITH FLAT WASHER S.S.  
 MIN. 2 1/2" EMBEDMENT INTO WOOD RAFTER.  
 IF (2X) LAG SCREWS ARE USED, LOCATE AT OPPOSITE CENTER HOLES IN BASE, AS SHOWN.

\*FLASH POST WITH STANDARD GLAVANIZED STEEL ROOF FLASHINGS FOR 1" DIAMETER VENT PIPE



INSTALLED



UR-40 RAIL | UR-60 RAIL

FOR USE WITH SNAPNRACK ULTRA SERIES RAILS



Sunrun South LLC  
 595 MARKET STREET, 29TH FLOOR • SAN FRANCISCO, CA 94105 USA  
 PHONE (415) 580-6900 • FAX (415) 580-6902  
 THE INFORMATION IN THIS DRAWING IS CONFIDENTIAL AND PROPRIETARY. ANY REPRODUCTION, DISCLOSURE, OR USE THEREOF IS PROHIBITED WITHOUT THE WRITTEN CONSENT OF SUNRUN SOUTH LLC.

DESIGNER: G.MCPHEETERS  
 DRAFTER: M.AFFENTRANGER  
 APPROVED BY: B.PETERSON

SCALE: DNS  
 DATE: 5/7/2019

DRAWING NUMBER: SNR-DC-00351

DESCRIPTION: ULTRA RAIL, ATTACHMENT DETAIL, 6-HOLE BASE WITH HD STANDOFF TO RAFTER

REV: 1