

SNAPRACK ULTRA RAIL STANDARD STANDOFF ON METAL ROOF BASE (MRB) FOR MOUNTING TO METAL ROOFS

REFER TO SNAPRACK ENGINEERING CHARTS FOR APPLICABLE RAIL SPANS. "BIN" NUMBER ON CHART SHOULD MATCH "BIN" NUMBER ON THIS DRAWING

$\frac{5}{16}$ "Ø S.S. LAG SCREW MUST EMBED A MIN. OF $2\frac{1}{2}$ " INTO STRUCTURAL MEMBER

REFER TO SNAPRACK INSTALLATION MANUAL FOR $\frac{5}{16}$ "Ø HARDWARE TORQUE SPECIFICATIONS

RAILS CAN MOUNT UPSLOPE OR DOWNSLOPE OF THE STANDOFF SHAFT

FOR LEVELING DETAILS, REFER TO SNAPRACK DETAIL DRAWING "SNR-DC-00334 ULTRA RAIL, COMPONENT DETAIL, LEVELING SPACER ON STANDOFF"

INSTALLATION STEPS:

STEP 1:

DRILL $\frac{3}{16}$ "Ø PILOT HOLE IN RAFTER. ENSURE AREA SURROUNDING HOLE IS FREE FROM METAL SHAVINGS AND DEBRIS

STEP 2:

ATTACH METAL ROOF BASE TO RAFTER WITH $\frac{5}{16}$ "Ø LAG SCREW

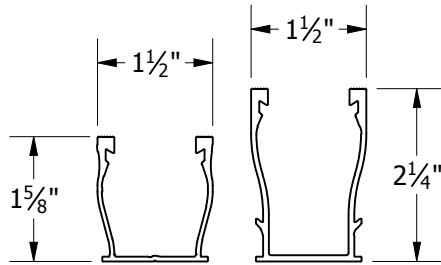
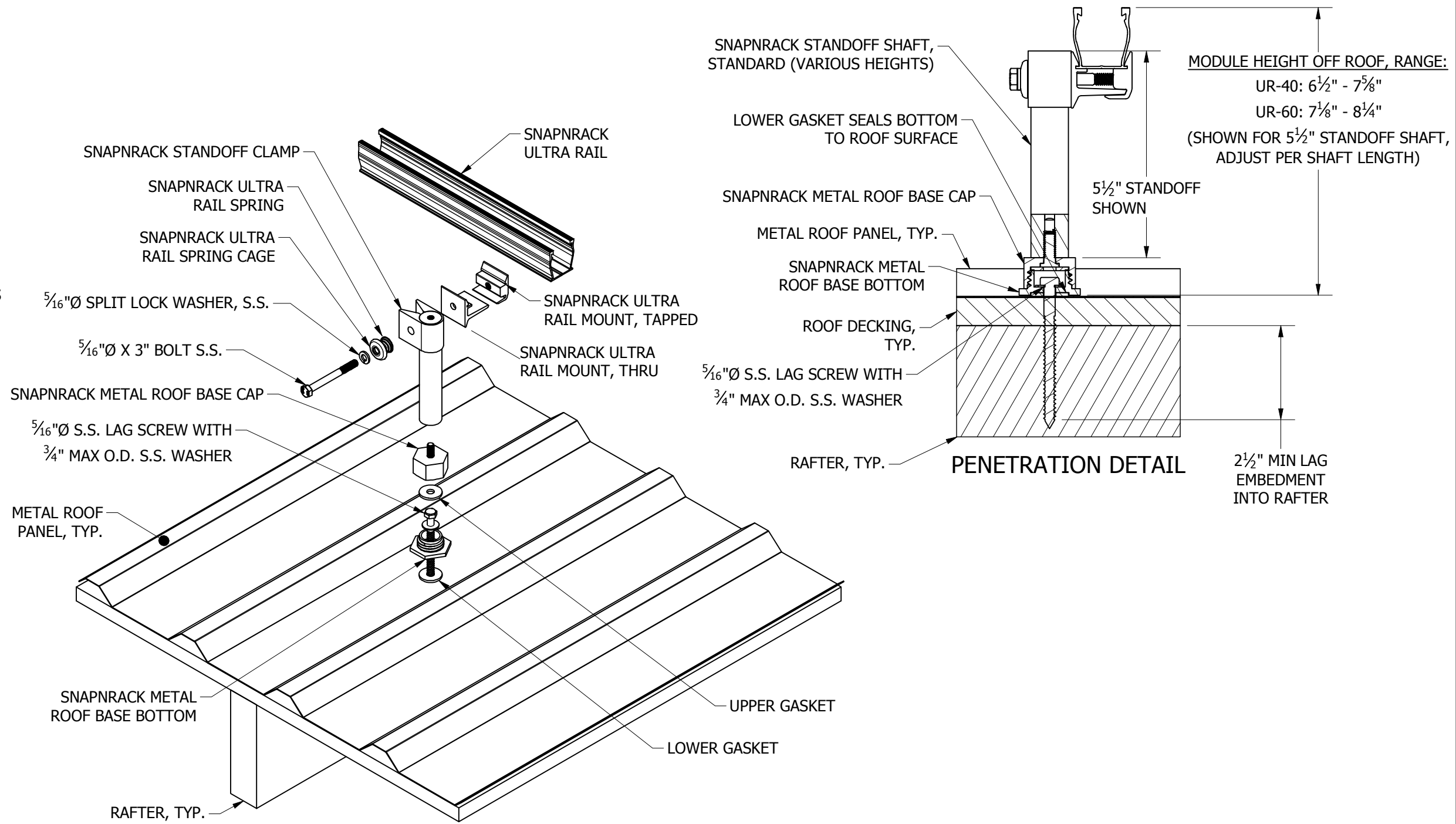
STEP 3:

THREAD METAL ROOF BASE CAP ONTO METAL ROOF BASE BOTTOM. TAKE CARE TO ENSURE THE BASE DOES NOT TWIST WHEN CAP IS TIGHTENED. ENSURE CAP IS FULLY SEATED TO BASE

STEP 4:

ATTACH STANDOFF TO STUD IN METAL ROOF BASE CAP

| | | | | |
|------|--|-----------|-----------|------------|
| BIN: | | REVISION: | | |
| 5 | | 1 | 5/7/2019 | NEW DETAIL |
| | | 1 | 6/18/2019 | DRO-00138 |
| | | | | MJA |
| | | | | MJA |



MRB SYSTEM INSTALLED, EXPLODED