

SNAPNRACK ULTRA RAIL HANGER BOLT CLAMPS FOR ATTACHING TO HANGER BOLTS ON VARIOUS ROOF TYPES

REFER TO SNAPNRACK ENGINEERING CHARTS FOR APPLICABLE RAIL SPANS. "BIN" NUMBER ON CHART SHOULD MATCH "BIN" NUMBER ON THIS DRAWING

HANGER BOLT CLAMPS HAVE BEEN DESIGNED FOR USE WITH STANDARD $\frac{3}{8}$ "Ø S.S. HANGER BOLTS. THEY ARE COMPATIBLE WITH ANY $\frac{3}{8}$ "Ø S.S. BOLT OR THREADED ROD

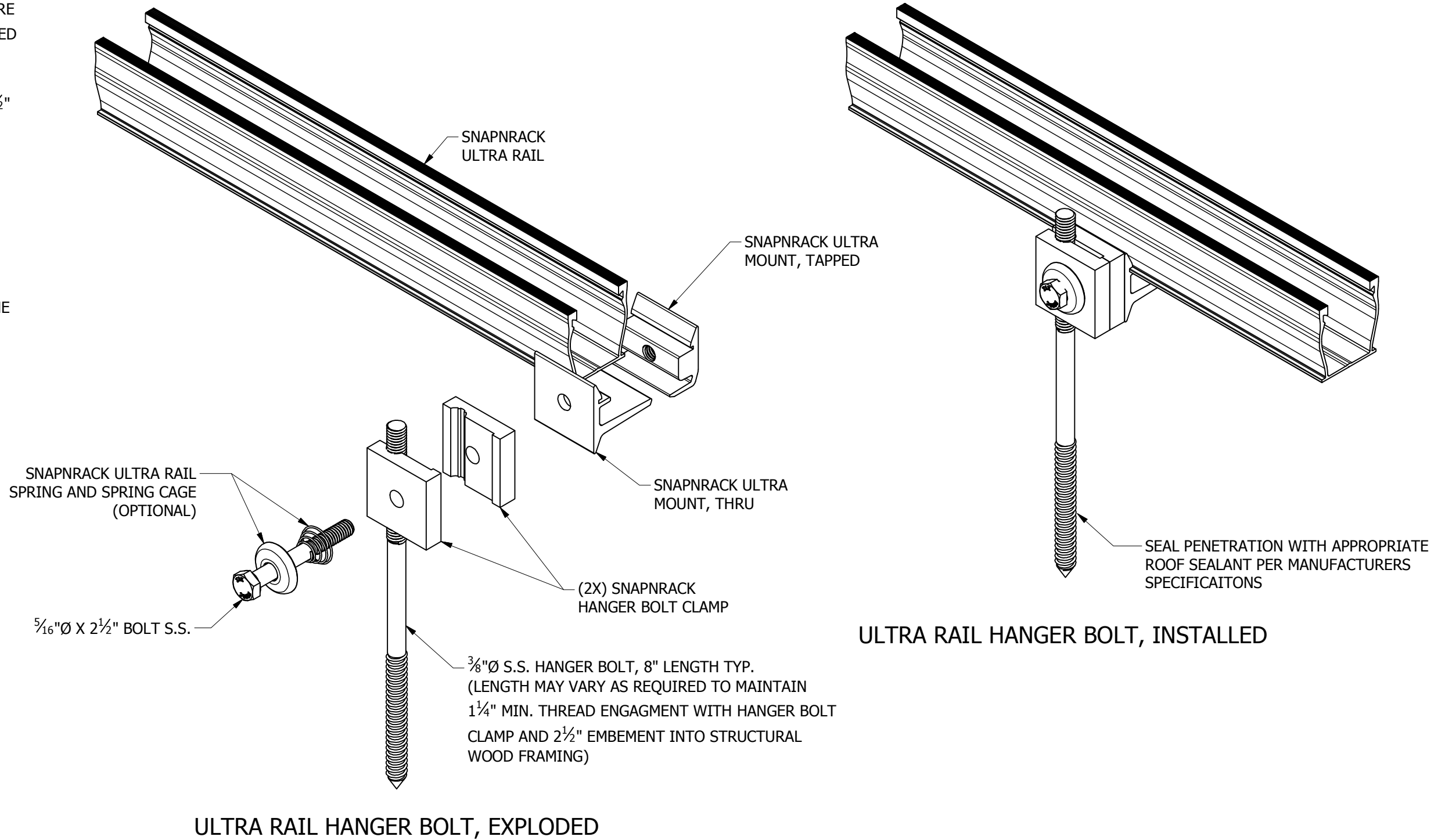
$\frac{3}{8}$ "Ø S.S. HANGER BOLT MUST EMBED A MIN. OF $2\frac{1}{2}$ " INTO STRUCTURAL MEMBER

REFER TO SNAPNRACK INSTALLATION MANUAL FOR $\frac{5}{16}$ "Ø HARDWARE TORQUE SPECIFICATIONS

HANGER BOLT MUST MAINTAIN $1\frac{1}{4}$ " MIN. THREAD ENGAGEMENT WITH HANGER BOLT CLAMP **AT ALL TIMES**

RAILS CAN MOUNT UPSLOPE OR DOWNSLOPE OF THE HANGER BOLT

BIN:	2	REVISION:	1	5/7/2019	NEW DETAIL	MJA



ULTRA RAIL HANGER BOLT, INSTALLED

ULTRA RAIL HANGER BOLT, EXPLODED

UR-40 RAIL | UR-60 RAIL
FOR USE WITH SNAPNRACK ULTRA SERIES RAILS



Sunrun South LLC
595 MARKET STREET, 29TH FLOOR • SAN FRANCISCO, CA 94105 USA
PHONE (415) 580-6900 • FAX (415) 580-6902
THE INFORMATION IN THIS DRAWING IS CONFIDENTIAL AND PROPRIETARY. ANY REPRODUCTION, DISCLOSURE, OR USE THEREOF IS PROHIBITED WITHOUT THE WRITTEN CONSENT OF SUNRUN SOUTH LLC.

DESIGNER: G.MCPHEETERS
DRAFTER: M.AFFENTRANGER
APPROVED BY: B.PETERSON

SCALE: DNS
DATE: 5/7/2019

DRAWING NUMBER:
SNR-DC-00354

DESCRIPTION: ULTRA RAIL, ATTACHMENT DETAIL, HANGER BOLT

REV: 1