

SNAPNRACK ULTRA RAIL TILE ROOF HOOK F FOR MOUNTING TO FLAT PROFILE TILE ROOFS

BIN: 7

REVISION:			
1	5/7/2019	NEW DETAIL	MJA
B	2/25/2022	DC000991	DR

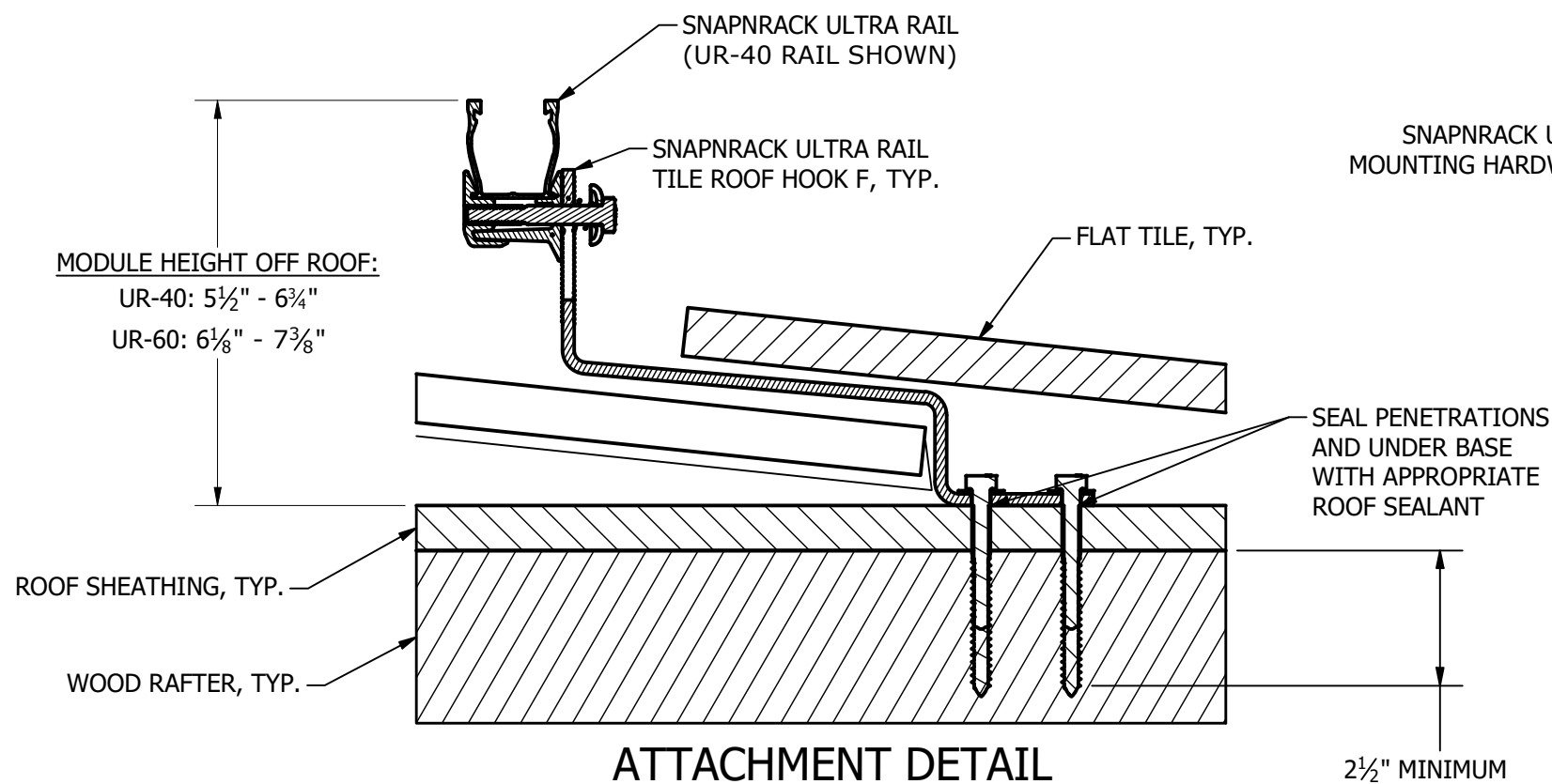
REFER TO SNAPNRACK ENGINEERING CHARTS FOR APPLICABLE RAIL SPANS.
"BIN" NUMBER ON CHART SHOULD MATCH "BIN" NUMBER ON THIS DRAWING

5/16"Ø S.S. LAG SCREWS MUST EMBED A MIN. OF 2 1/2" INTO STRUCTURAL MEMBER

REFER TO SNAPNRACK INSTALLATION MANUAL FOR 5/16"Ø HARDWARE TORQUE SPECIFICATIONS

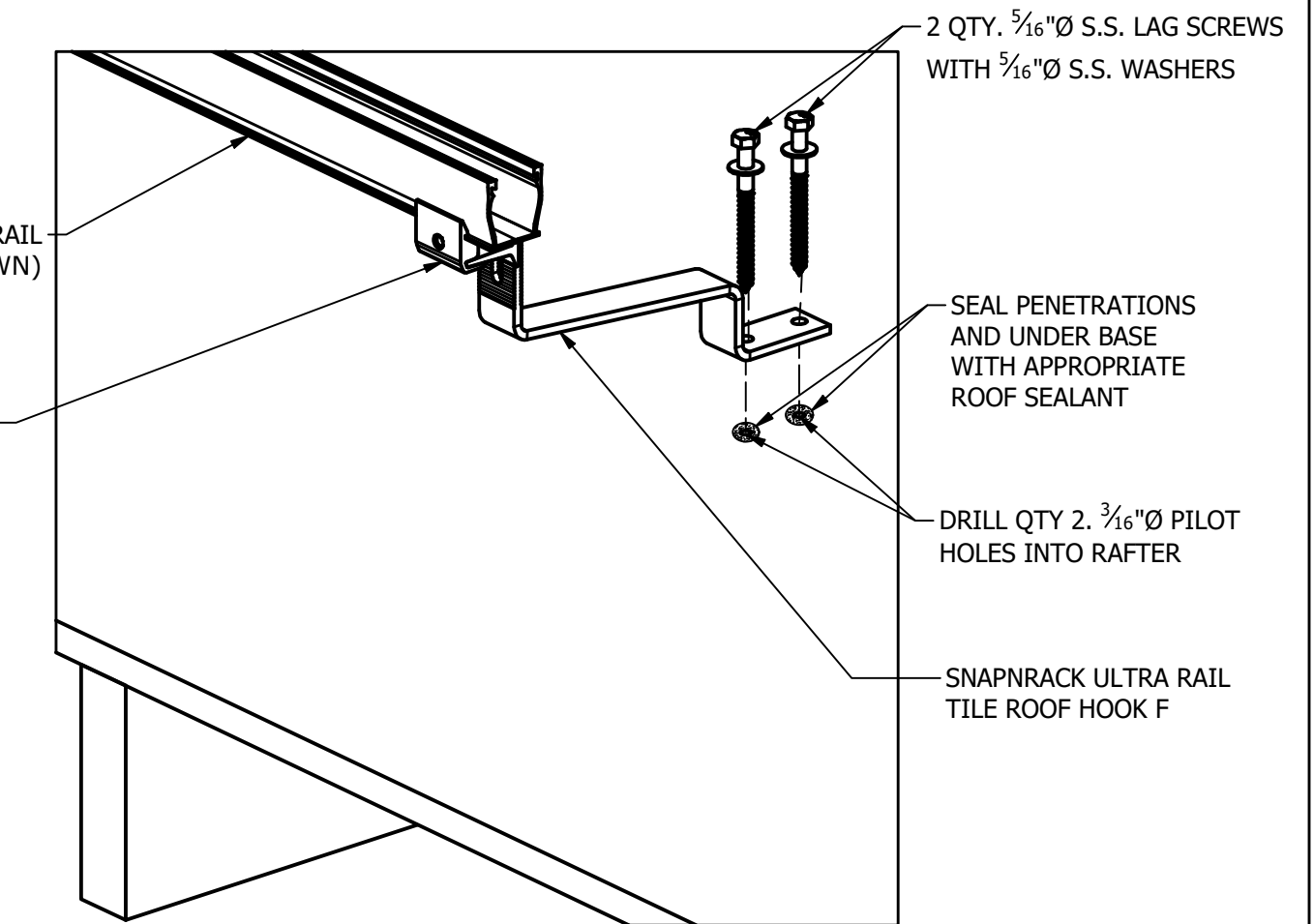
RAILS CAN MOUNT TO EITHER SIDE OF TILE HOOK (UPSLOPE VS. DOWNSLOPE)

RAILS CAN BE LEVELED UP TO 1 1/4" USING THE SLOT IN THE TILE HOOK.



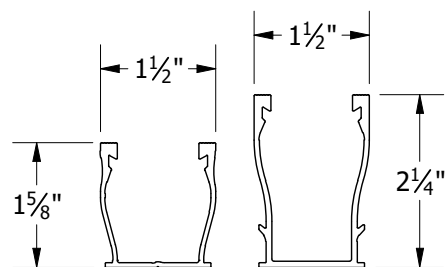
MODULE HEIGHT OFF ROOF:
UR-40: 5 1/2" - 6 3/4"
UR-60: 6 1/8" - 7 3/8"

SNAPNRACK ULTRA RAIL (UR-40 RAIL SHOWN)
SNAPNRACK ULTRA RAIL MOUNTING HARDWARE, TYP.



ULTRA RAIL TILE ROOF HOOK F, EXPLODED

2 1/2" MINIMUM EMBEDMENT INTO RAFTER



UR-40 RAIL | UR-60 RAIL
FOR USE WITH SNAPNRACK ULTRA SERIES RAILS

	Sunrun South LLC 595 MARKET STREET, 29TH FLOOR • SAN FRANCISCO, CA 94105 USA PHONE (415) 580-6900 • FAX (415) 580-6902 <small>THE INFORMATION IN THIS DRAWING IS CONFIDENTIAL AND PROPRIETARY. ANY REPRODUCTION, DISCLOSURE, OR USE THEREOF IS PROHIBITED WITHOUT THE WRITTEN CONSENT OF SUNRUN SOUTH LLC.</small>	DESIGNER: <u>D.RYAN</u>	SCALE: <u>DNS</u>	DRAWING NUMBER: <u>SNR-DC-00356</u>	DESCRIPTION: ULTRA RAIL, ATTACHMENT DETAIL, ULTRA RAIL TILE ROOF HOOK F TO RAFTER	REV: B
		DRAFTER: <u>M.AFFENTRANGER</u>	DATE: <u>2/25/2022</u>	APPROVED BY: <u>B.PETERSON</u>		