

SNAPNRACK ULTRA RAIL TILE ROOF HOOK F FOR MOUNTING TO FLAT PROFILE TILE ROOFS

BIN: 7

REVISION:			
1	5/7/2019	NEW DETAIL	MJA

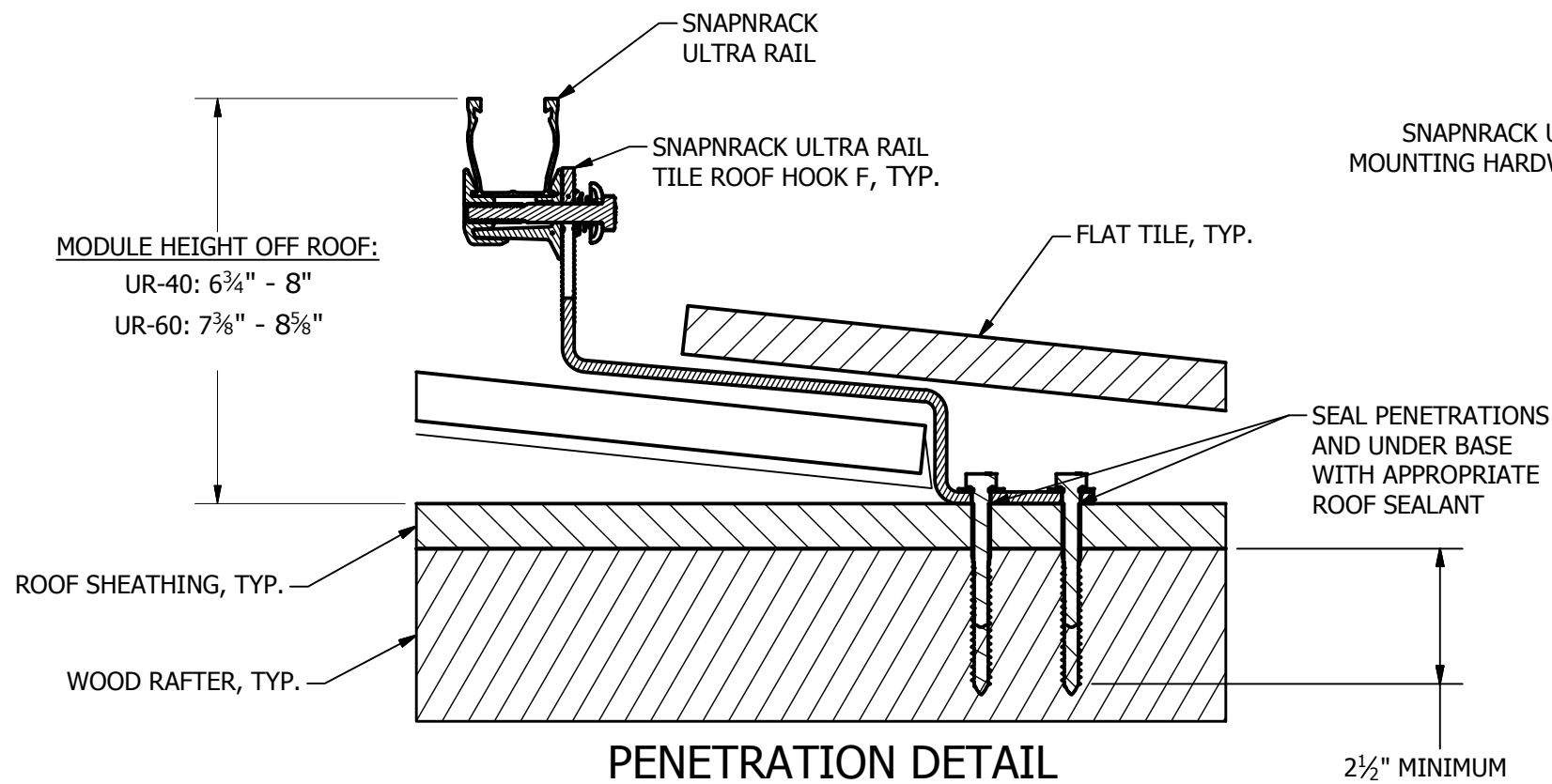
REFER TO SNAPNRACK ENGINEERING CHARTS FOR APPLICABLE RAIL SPANS.  
"BIN" NUMBER ON CHART SHOULD MATCH "BIN" NUMBER ON THIS DRAWING

5/16"Ø S.S. LAG SCREWS MUST EMBED A MIN. OF 2 1/2" INTO STRUCTURAL MEMBER

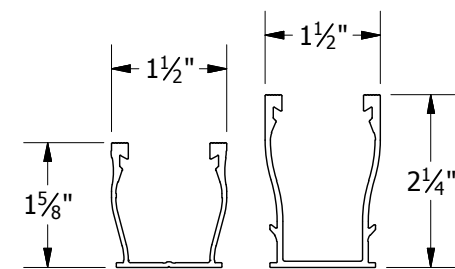
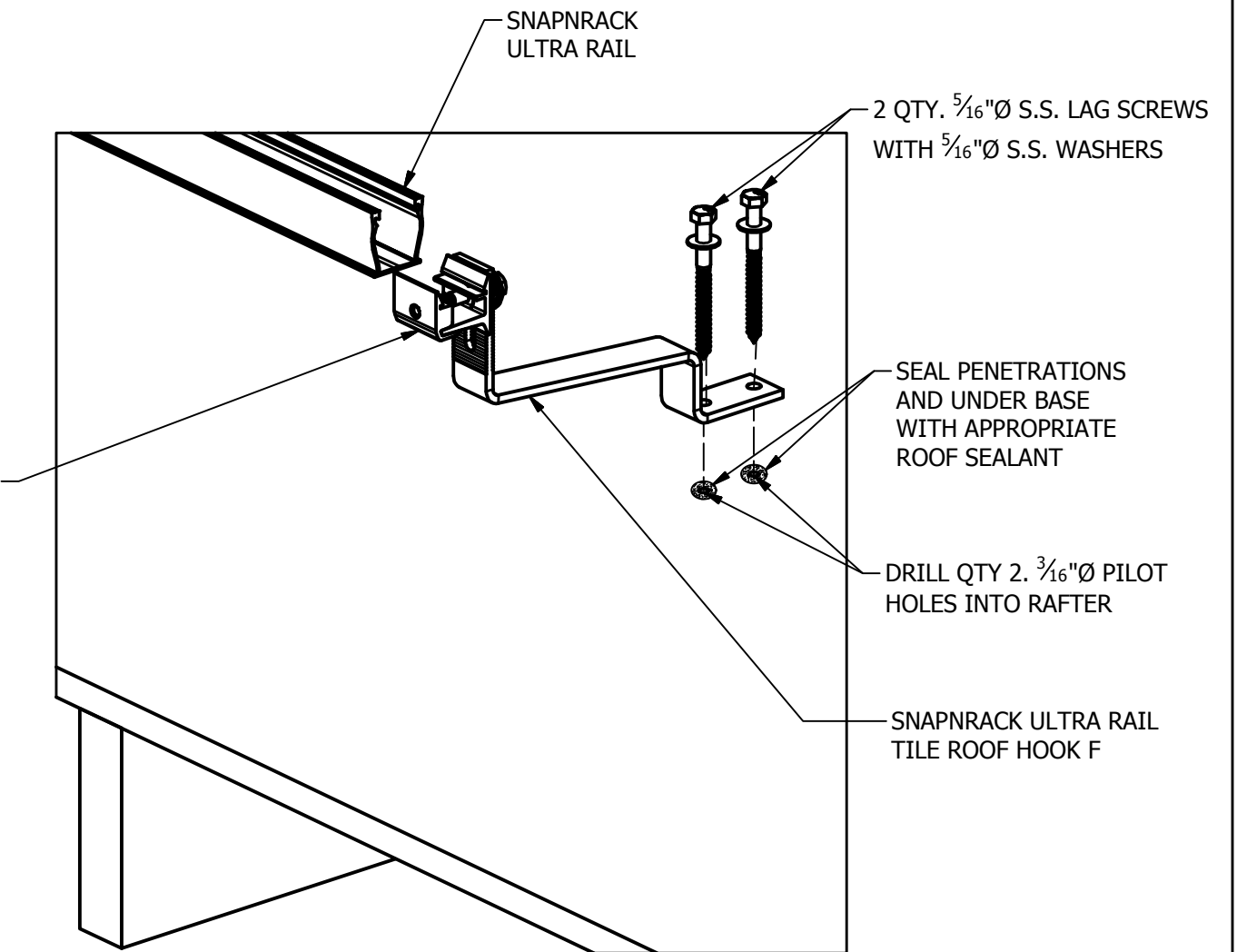
REFER TO SNAPNRACK INSTALLATION MANUAL FOR 5/16"Ø HARDWARE TORQUE SPECIFICATIONS

RAILS CAN MOUNT TO EITHER SIDE OF TILE HOOK (UPSLOPE VS. DOWNSLOPE)

RAILS CAN BE LEVELED UP TO 1 1/4" USING THE SLOT IN THE TILE HOOK.



SNAPNRACK ULTRA RAIL MOUNTING HARDWARE, TYP.



2 1/2" MINIMUM EMBEDMENT INTO RAFTER

UR-40 RAIL | UR-60 RAIL  
FOR USE WITH SNAPNRACK ULTRA SERIES RAILS



Sunrun South LLC  
595 MARKET STREET, 29TH FLOOR • SAN FRANCISCO, CA 94105 USA  
PHONE (415) 580-6900 • FAX (415) 580-6902  
THE INFORMATION IN THIS DRAWING IS CONFIDENTIAL AND PROPRIETARY. ANY REPRODUCTION, DISCLOSURE, OR USE THEREOF IS PROHIBITED WITHOUT THE WRITTEN CONSENT OF SUNRUN SOUTH LLC.

DESIGNER: D.RYAN  
DRAFTER: M.AFFENTRANGER  
APPROVED BY: B.PETERSON

SCALE: DNS  
DATE: 5/7/2019

DRAWING NUMBER:  
SNR-DC-00356

DESCRIPTION:  
ULTRA RAIL, ATTACHMENT DETAIL, ULTRA RAIL TILE ROOF HOOK F TO RAFTER

REV: 1