

SNAPNRACK ULTRA RAIL STANDARD STANDOFF ON 4-HOLE BASE MOUNTED TO FLAT RAFTER

REFER TO SNAPNRACK ENGINEERING CHARTS FOR APPLICABLE RAIL SPANS. "BIN" NUMBER ON CHART SHOULD MATCH "BIN" NUMBER ON THIS DRAWING:

***BIN 5** WHEN INSTALLED WITH 5 1/2" STANDOFF

***BIN 6** WHEN INSTALLED WITH 8 1/2" STANDOFF

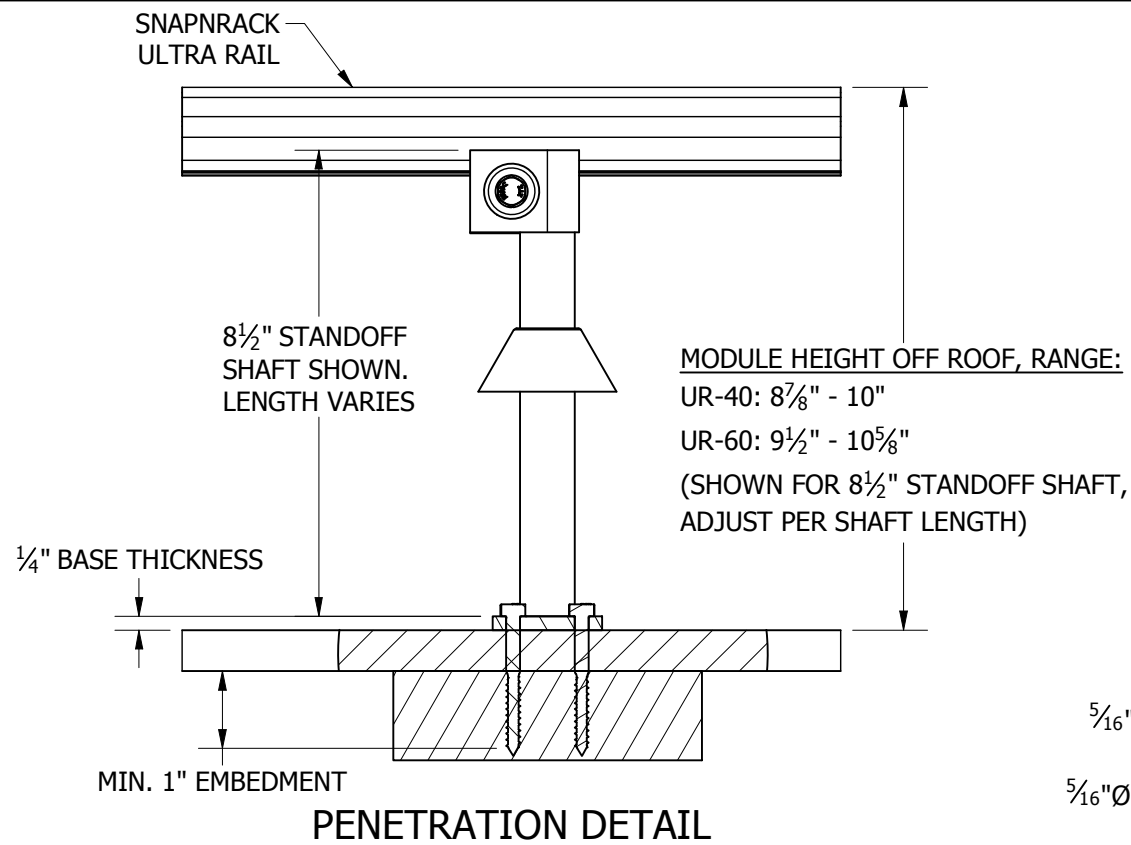
1/4"Ø S.S. LAG SCREWS MUST EMBED A MIN. OF 1" INTO FLAT RAFTER

REFER TO SNAPNRACK INSTALLATION MANUAL FOR 5/16"Ø HARDWARE TORQUE SPECIFICATIONS

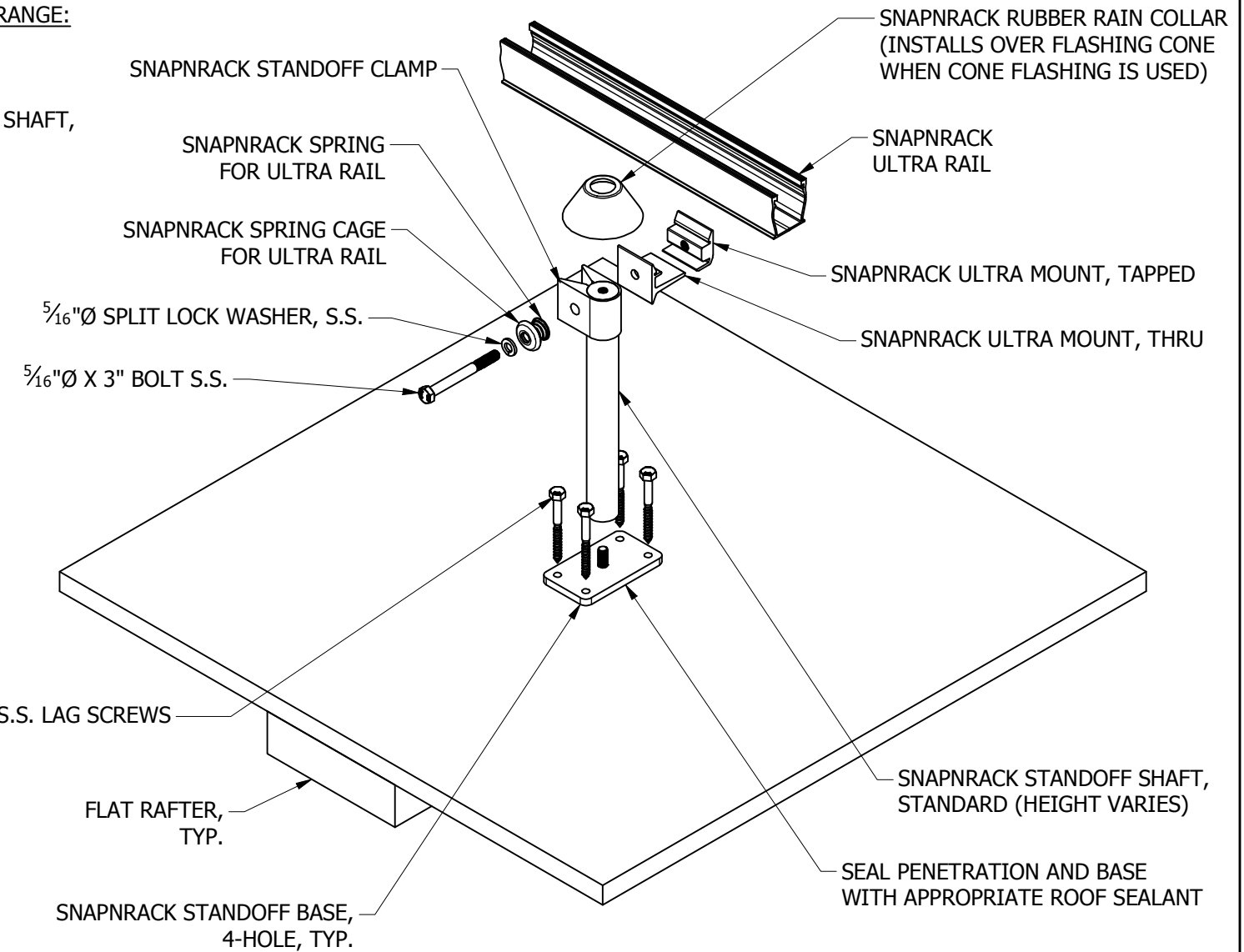
RAILS CAN MOUNT UPSLOPE OR DOWNSLOPE OF THE STANDOFF SHAFT

FOR LEVELING DETAILS, REFER TO SNAPNRACK DETAIL DRAWING "SNR-DC-00334 ULTRA RAIL, COMPONENT DETAIL, LEVELING SPACER ON STANDOFF"

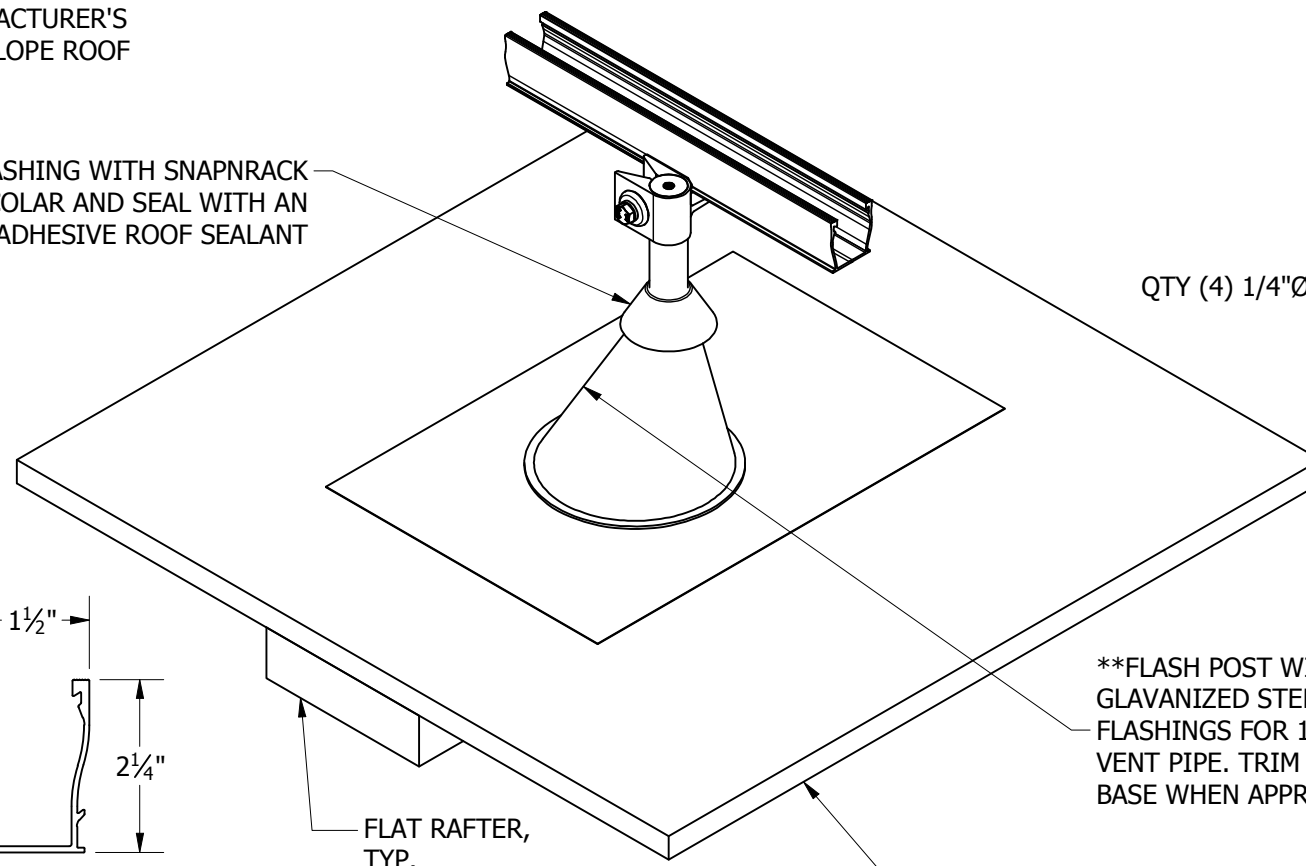
**A Poured sealant-style flashing may be used with SnapNrack standoffs as an alternative to cone flashings when installed per the manufacturer's specifications on low-slope roof surfaces



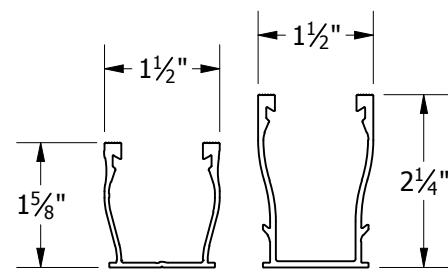
PENETRATION DETAIL



COVER FLASHING WITH SNAPNRACK RAIN COLLAR AND SEAL WITH AN APPROPRIATE ADHESIVE ROOF SEALANT



**FLASH POST WITH STANDARD GALVANIZED STEEL ROOF FLASHINGS FOR 1" DIAMETER VENT PIPE. TRIM FLASH FLASHING BASE WHEN APPROPRIATE.



UR-40 RAIL | UR-60 RAIL

FOR USE WITH SNAPNRACK ULTRA SERIES RAILS

BIN: *5, *6

REVISION:		NEW DETAIL	MJA
1	5/7/2019		MJA
1	6/18/2019	DRO-00138	MJA