

SNAPNRACK RL UNIVERSAL SOLAR MOUNTING SOLUTION INSTALLED ON COMPOSITION SHINGLE ROOF

ROOF ATTACHMENT: SNAPNRACK FLASHTRACK COMP

MODULE ATTACHMENT: SNAPNRACK RL UNIVERSAL MOUNT

SNAPNRACK RL UNIVERSAL LINKS CONNECT MODULE FRAMES TOGETHER TO ACT AS A CONTINUOUS STRUCTURAL ELEMENT

LANDSCAPE AND PORTRAIT INSTALLATIONS SHOWN

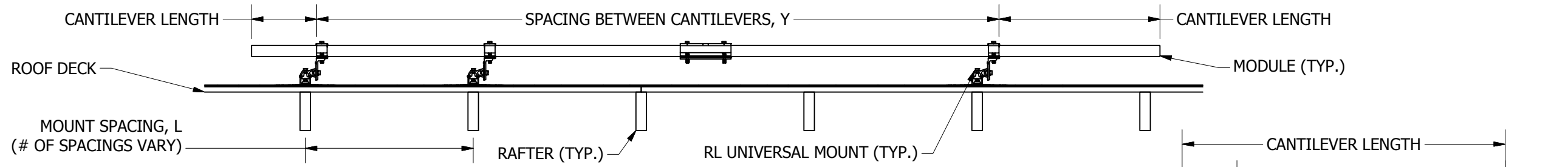
MODULE CANTILEVER IS THE DISTANCE BETWEEN THE MODULE EDGE AND THE EDGE OF THE MOUNT.

MAXIMUM CANTILEVER (NOT TO SCALE) IS PERMITTED TO BE $\frac{1}{3}$ WHERE L IS THE CORRESPONDING MAXIMUM SPACING NOTED IN THE TABLE(S) SO LONG AS THE SPACING BETWEEN CANTILEVERS (Y) IS GREATER THAN OR EQUAL TO (1) PANEL LENGTH. PANEL LENGTH IS DEFINED AS THE MODULE DIMENSION PARALLEL TO THE EAVE.

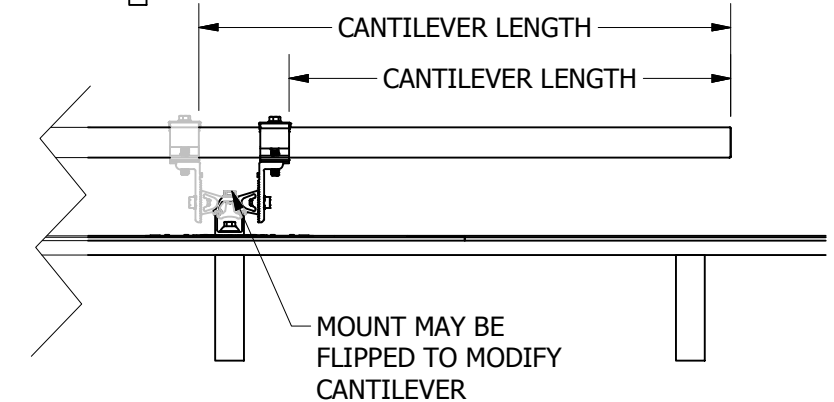
WHEN A CANTILEVER LENGTH EXCEEDS $\frac{1}{3}$, MOUNTING THE RL FLASH TRACK DIRECTLY TO THE ROOF DECK IS ACCEPTABLE TO ADD SUPPORT TO THE OVER-EXTENDED CANTILEVER. SEE APPENDIX A FOR ALLOWABLE CONDITIONS AND DETAIL SNR-DC-00366 FOR INSTALLATION REQUIREMENTS.

IN ALL OTHER CASES, THE MAXIMUM CANTILEVER LENGTH IS LIMITED TO $\frac{1}{3}$ OF THE MOUNT SPACING AND CANNOT EXCEED 2'-0".

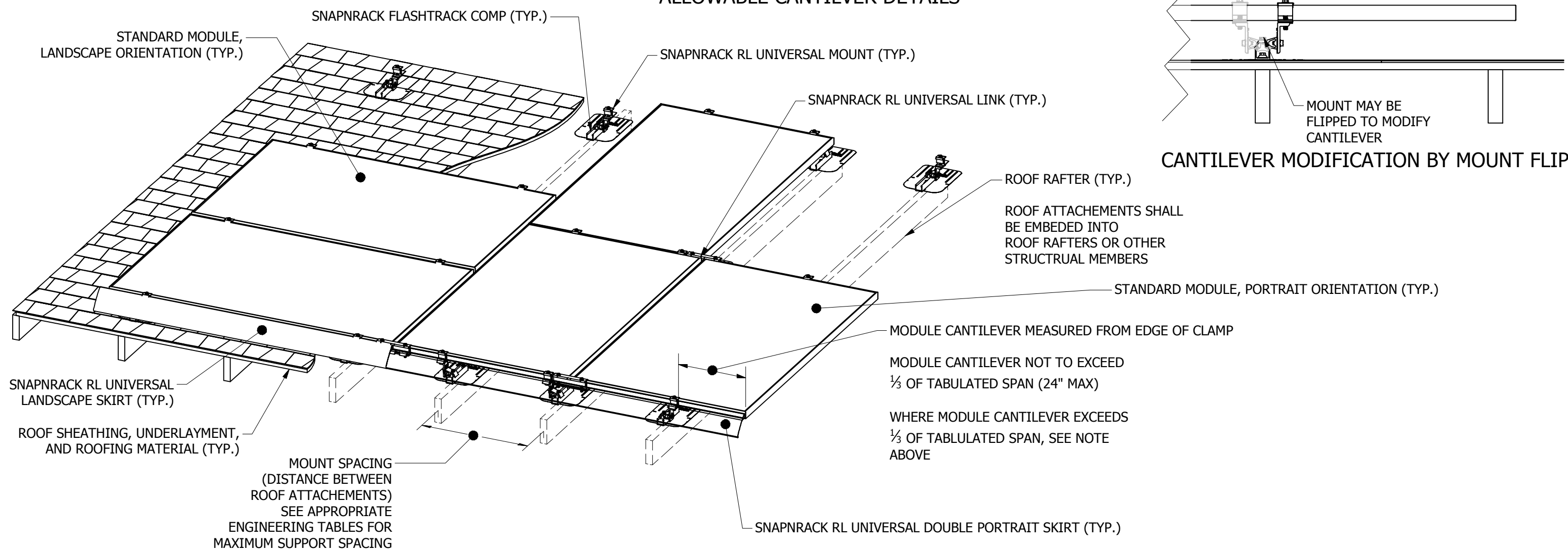
REVISION:			
1	5/1/2019	NEW DETAIL	BDP



ALLOWABLE CANTILVER DETAILS



CANTILEVER MODIFICATION BY MOUNT FLIP



OVERVIEW



Sunrun South LLC
 595 MARKET STREET, 29TH FLOOR • SAN FRANCISCO, CA 94105 USA
 PHONE (415) 580-6900 • FAX (415) 580-6902
 THE INFORMATION IN THIS DRAWING IS CONFIDENTIAL AND PROPRIETARY. ANY REPRODUCTION, DISCLOSURE, OR USE THEREOF IS PROHIBITED WITHOUT THE WRITTEN CONSENT OF SUNRUN SOUTH LLC.

DESIGNER: B.PETERSON
 DRAFTER: B.PETERSON
 APPROVED BY: B.PETERSON

SCALE: NTS
 DATE: 5/1/2019

DRAWING NUMBER: SNR-DC-00362

DESCRIPTION: RL UNIVERSAL, SYSTEM OVERVIEW, FLASHTRACK ON COMP

REV: 1