

COMPONENT DETAIL FOR THE SNAPRACK RL UNIVERSAL MOUNT

THE RL UNIVERSAL MOUNT UTILIZES A "CLAMP-SLEEVE" METHOD OF MODULE ATTACHMENT TO ALLOW A ROCK-IN INSTALLATION OF THE UPSLOPE MODULE. SEE "CLAMP-SLEEVE ATTACHMENT" VIEW

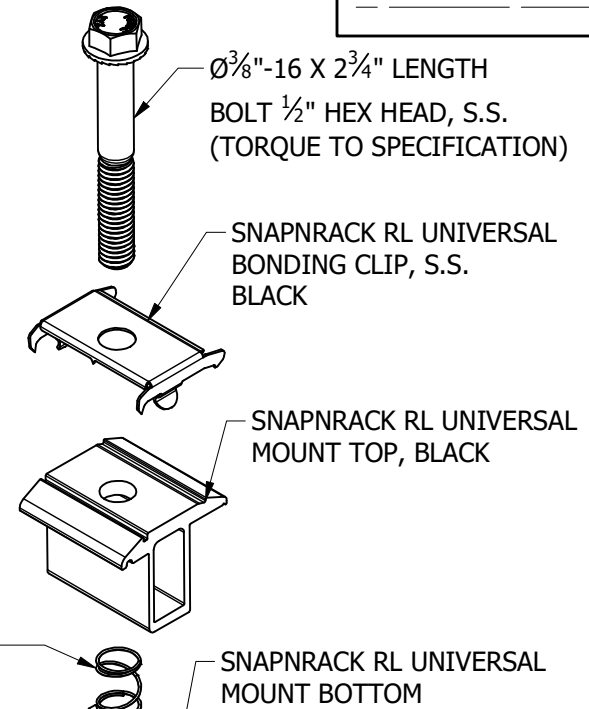
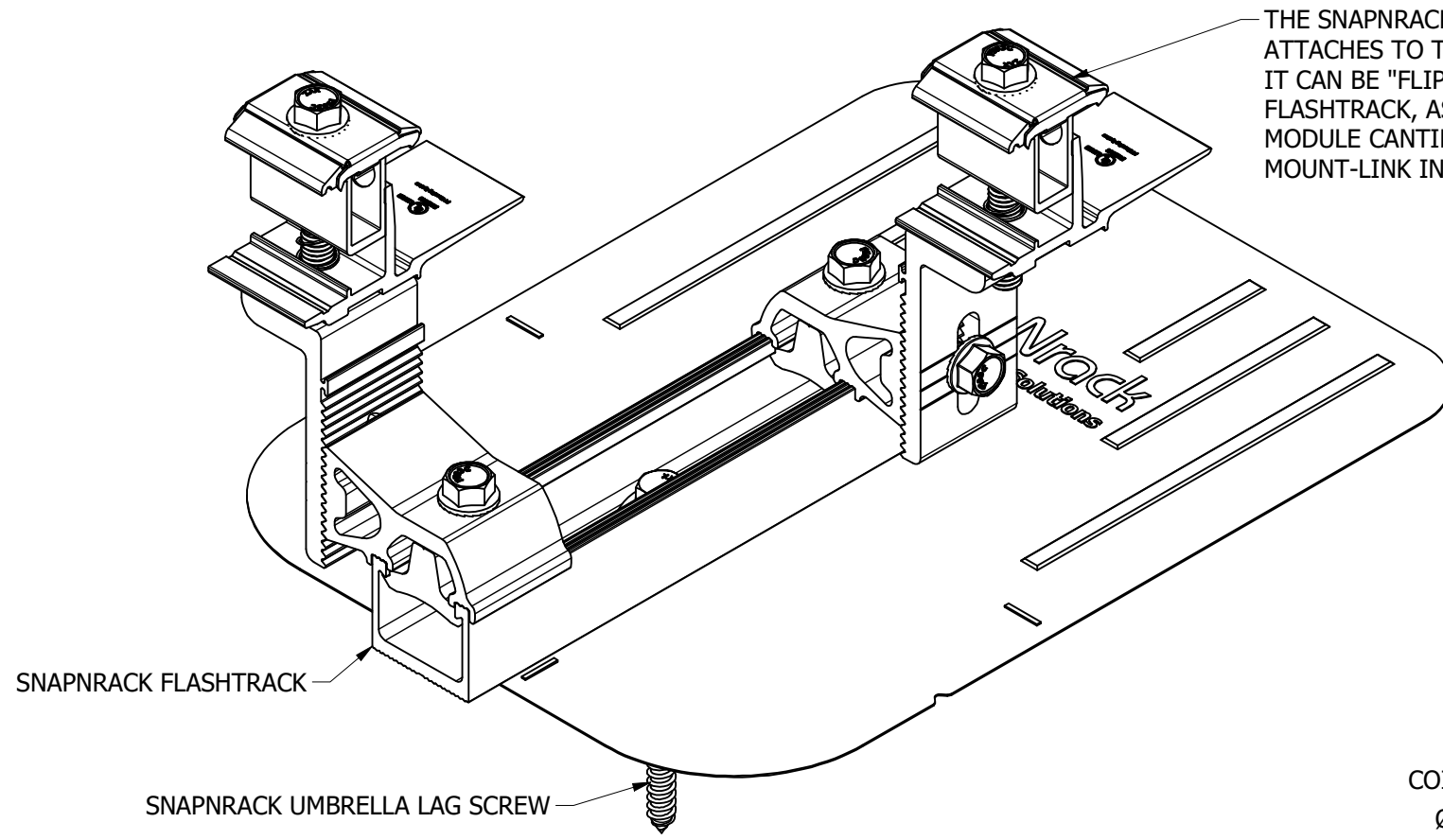
RL UNIVERSAL MOUNTS BOND ACROSS PV ARRAY ROWS VIA THE RL UNVIERSAL BONDING CLIP

THE RL UNIVERSAL MOUNT PROVIDES A FIXED 3/4" GAP BETWEEN PV MODULE ROWS

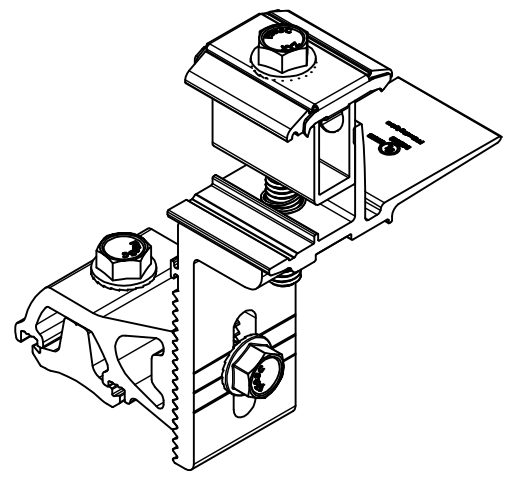
FOR UNEVEN ROOF SURFACES EACH MOUNT HAS 1" OF LEVELING CAPABILITY IN 1/8" INCREMENTS.

REFER TO SNAPRACK INSTALLATION MANUAL FOR HARDWARE TORQUE SPECIFICATIONS

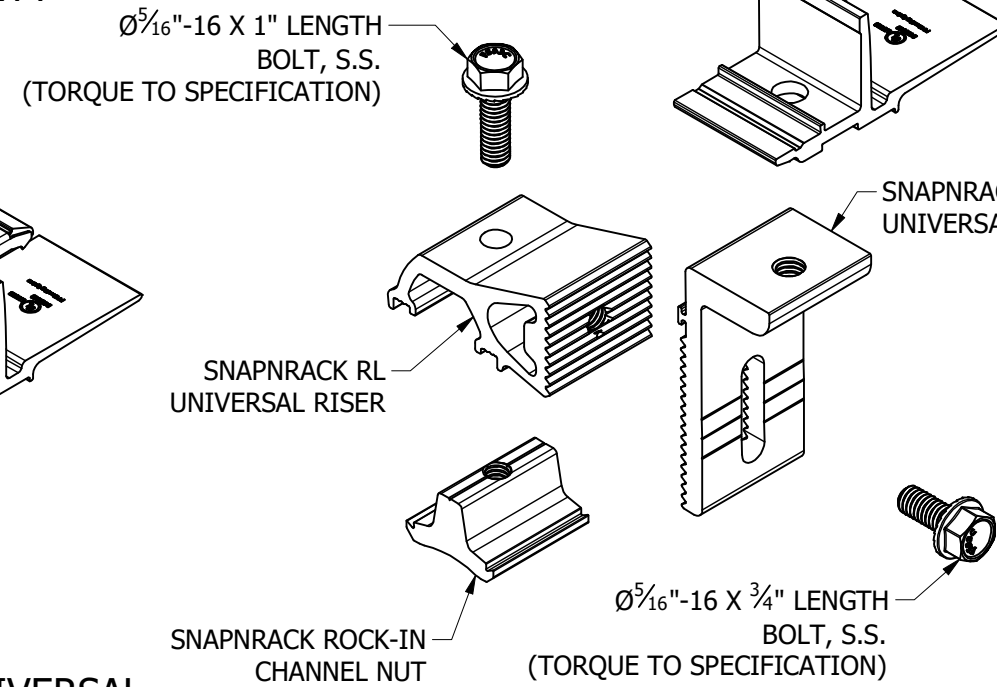
REVISION:			
1	5/1/2019	NEW DETAIL	MJA



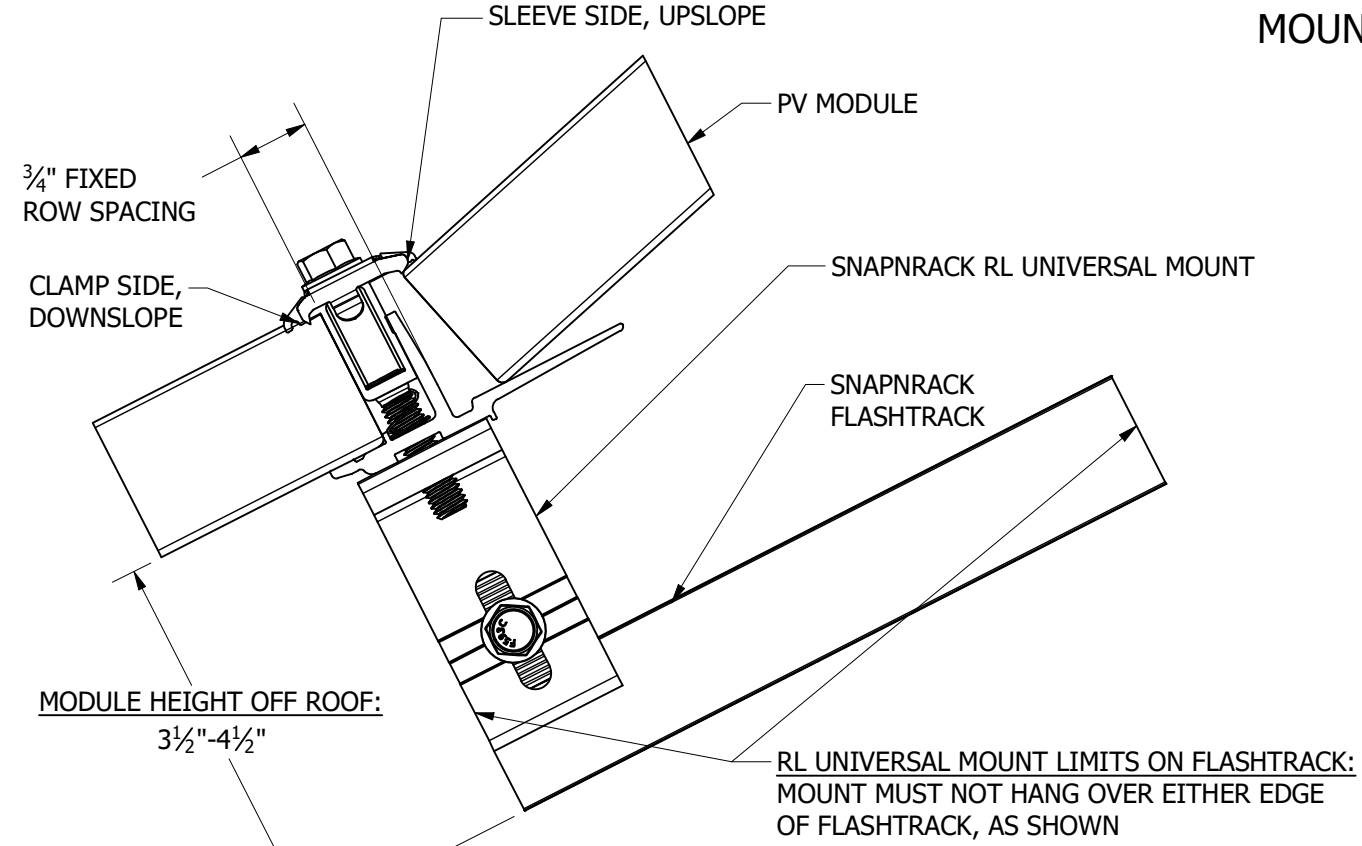
MOUNT "FLIP-FLOP" ABILITY



SNAPRACK RL UNIVERSAL MOUNT, ASSEMBLY



SNAPRACK RL UNIVERSAL MOUNT, EXPLODED



CLAMP-SLEEVE ATTACHMENT



Sunrun South LLC
 595 MARKET STREET, 29TH FLOOR • SAN FRANCISCO, CA 94105 USA
 PHONE (415) 580-6900 • FAX (415) 580-6902
THE INFORMATION IN THIS DRAWING IS CONFIDENTIAL AND PROPRIETARY. ANY REPRODUCTION, DISCLOSURE, OR USE THEREOF IS PROHIBITED WITHOUT THE WRITTEN CONSENT OF SUNRUN SOUTH LLC.

DESIGNER: B.PETERSON
 DRAFTER: M.AFFENTRANGER
 APPROVED BY: B.PETERSON

SCALE: NTS
 DATE: 5/1/2019

DRAWING NUMBER: SNR-DC-00363

DESCRIPTION: RL UNIVERSAL, COMPONENT DETAIL, MOUNT

REV: 1