

COMPONENT DETAIL FOR THE SNAPNRACK RL UNIVERSAL LINK

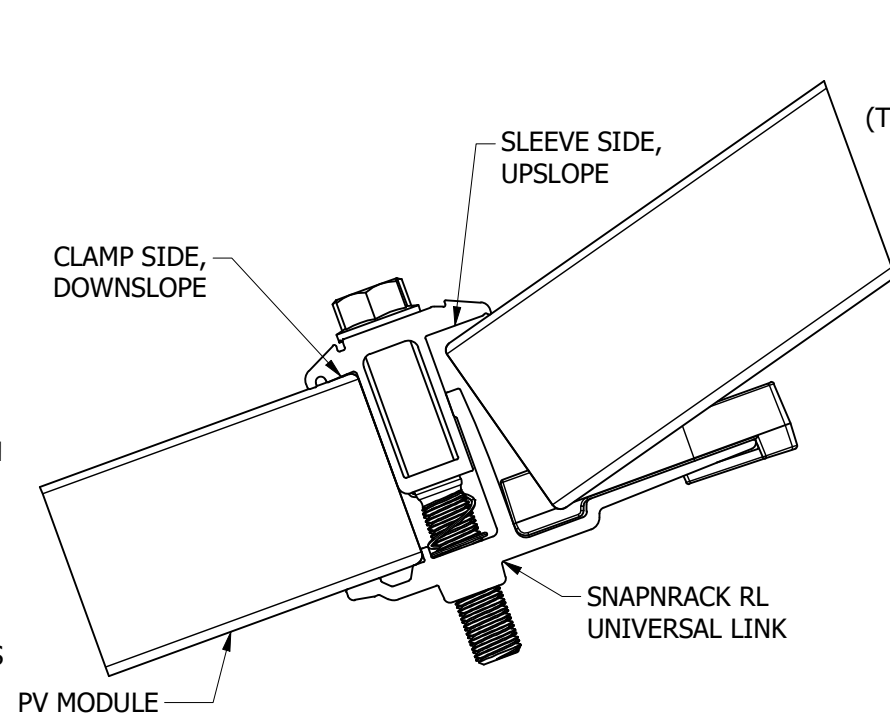
THE RL UNIVERSAL LINK UTILIZES A "CLAMP-SLEEVE" METHOD OF MODULE ATTACHMENT TO ALLOW A ROCK-IN INSTALLATION OF THE UPSLOPE MODULE. SEE "CLAMP-SLEEVE ATTACHMENT" VIEW

RL UNIVERSAL LINKS BOND ACCROSS PV ARRAY COLUMNS VIA BONDING PINS

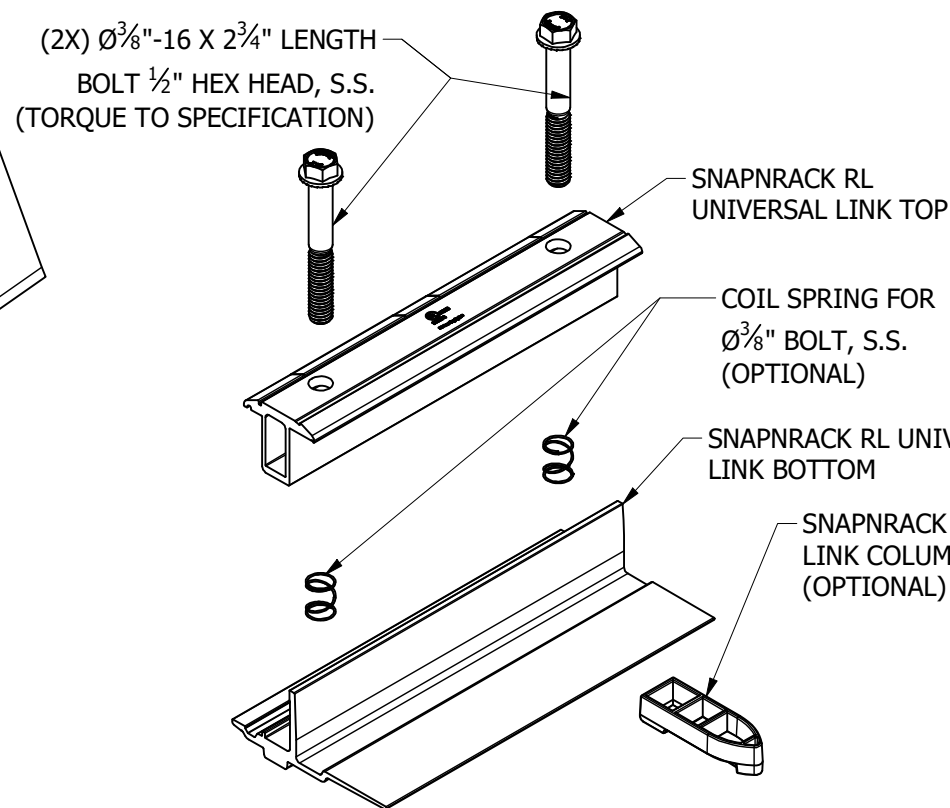
THE OPTIONAL RL UNIVERSAL LINK COLUMN SPACER PROVIDES A 3/4" COLUMN GAP BETWEEN PV MODULES - COLUMN SPACING IS NOT TO EXCEED 3/4". THE LINK COLUMN SPACER CAN BE REMOVED TO DECREASE COLUMN SPACING, HOWEVER SYSTEMS DESIGNED ACCORDING TO ASCE 7-16 MUST BE RE-EVALUATED FOR CODE COMPLIANCE, AS MODULE SPACING CORRELATES TO APPLIED LOADS

REFER TO SNAPNRACK INSTALLATION MANUAL FOR HARDWARE TORQUE SPECIFICATIONS

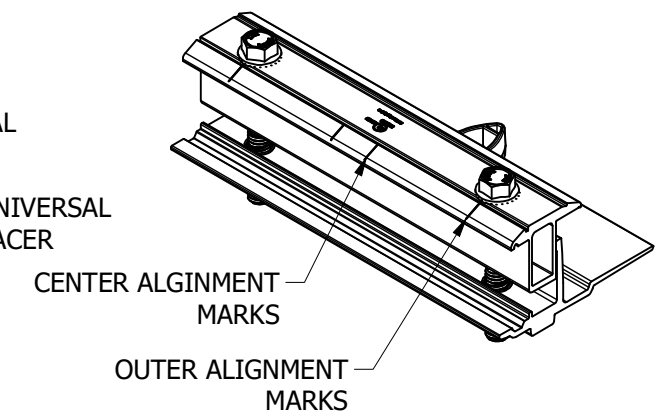
REVISION:	1	5/1/2019	NEW DETAIL	MJA



CLAMP-SLEEVE ATTACHMENT



SNAPNRACK RL UNIVERSAL LINK, EXPLODED



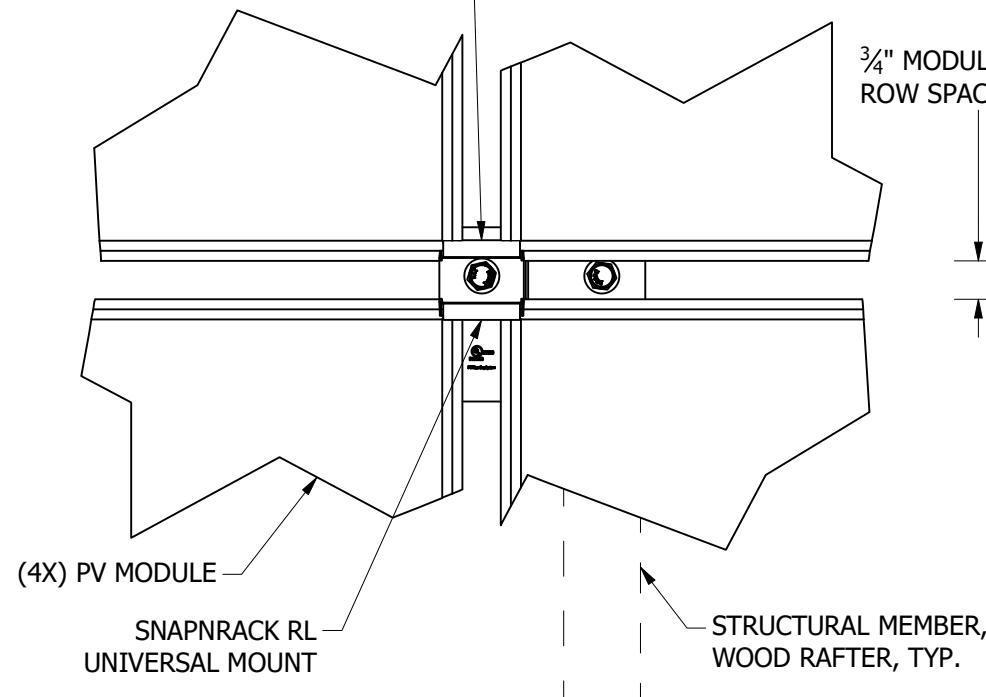
SNAPNRACK RL UNIVERSAL LINK ASSEMBLY

NEVER CLAMP (X2) MODULES WITH A RL UNIVERSAL, MOUNT. REFER TO CASE 2

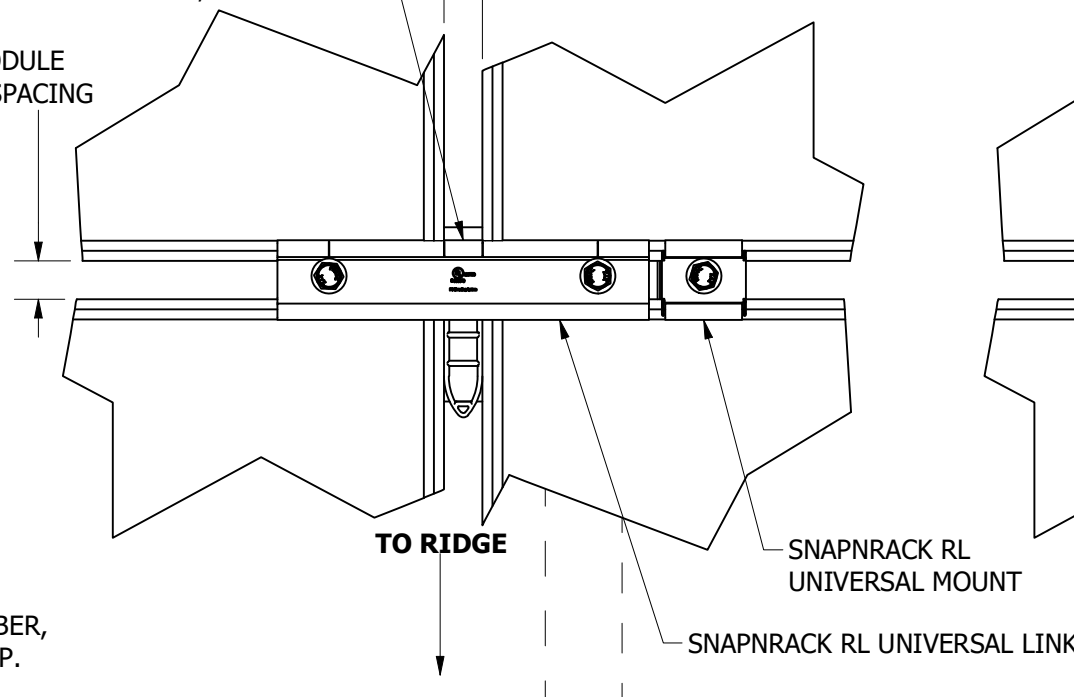
TO PREVENT CASE 1, FLIP MOUNT IN FLASH TRACK (REFER TO SD-00209) AND CLAMP TWO MODULES WITH A RL UNIVERSAL LINK. CENTER MODULE GAP BETWEEN CENTER ALIGNMENT MARKS ON LINK, AS SHOWN.

IF MODULE FALLS OUTSIDE OF OUTER ALIGNMENT MARK, FLIP MOUNT (REFER TO SD-00209) IN TRACK AND REATTACH LINK.

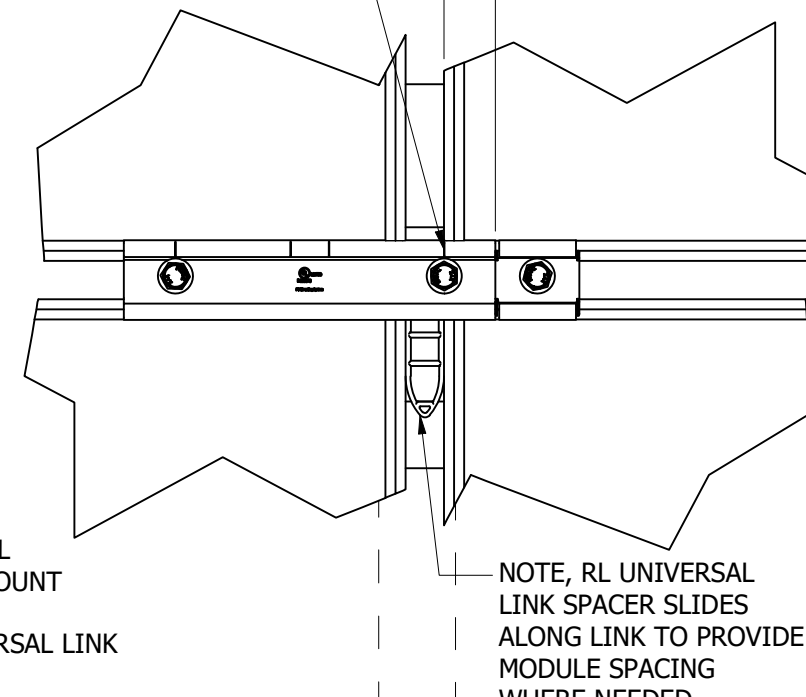
1" MIN. MODULE CLAMPING SURFACE. ALIGN MODULE EDGE WITH OUTER ALIGNMENT MARK ON RL UNIVERSAL LINK



CASE 1: (X2) MODULES ON A MOUNT
NOT ALLOWED



CASE 2: FLIP MOUNT IN TRACK
ALLOWED



CASE 3: MIN. LINK CLAMPING SURFACE
ALLOWED

RL UNIVERSAL LINK PLACEMENT



Sunrun South LLC
595 MARKET STREET, 29TH FLOOR • SAN FRANCISCO, CA 94105 USA
PHONE (415) 580-6900 • FAX (415) 580-6902
THE INFORMATION IN THIS DRAWING IS CONFIDENTIAL AND PROPRIETARY. ANY REPRODUCTION, DISCLOSURE, OR USE THEREOF IS PROHIBITED WITHOUT THE WRITTEN CONSENT OF SUNRUN SOUTH LLC.

DESIGNER: B.PETERSON
DRAFTER: M.AFFENTRANGER
APPROVED BY: B.PETERSON

SCALE: NTS
DATE: 5/1/2019

DRAWING NUMBER:
SNR-DC-00364

DESCRIPTION:
RL UNIVERSAL, COMPONENT DETAIL, LINK

REV: 1