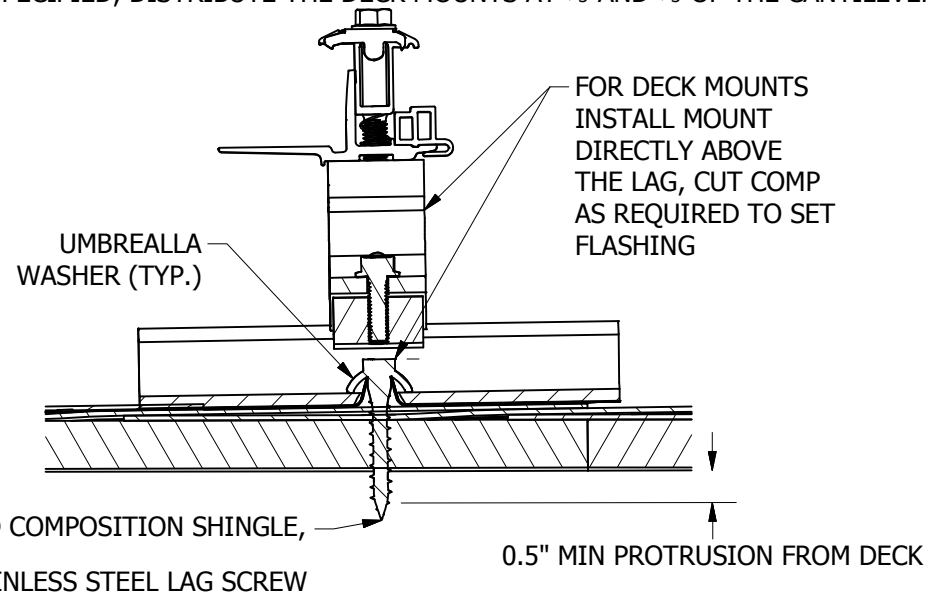


SNAPNRACK RL UNIVERSAL SOLAR MOUNTING SOLUTION DECK MOUNT DETAIL

REVISION:		
1	5/1/2019	NEW DETAIL BDP

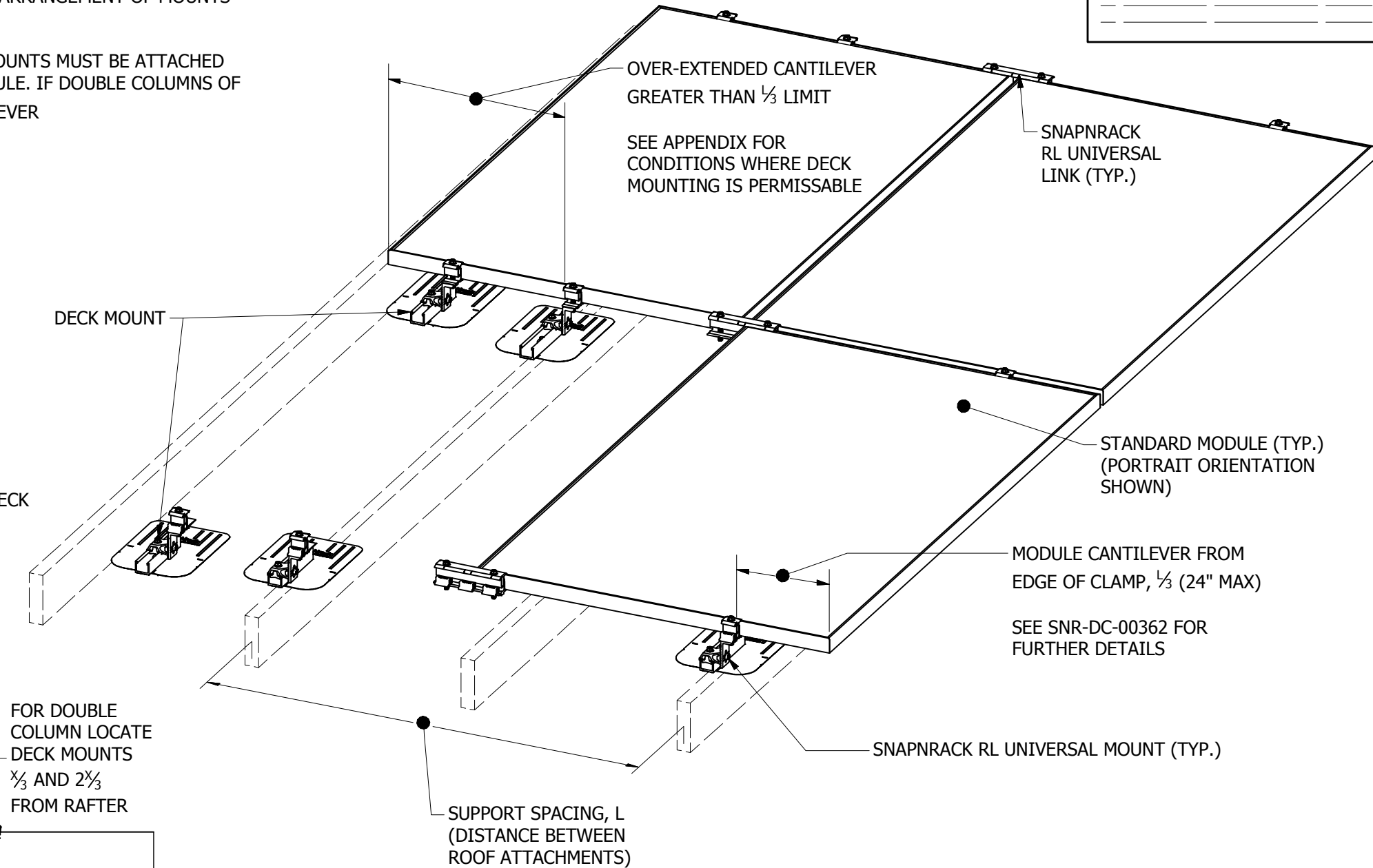
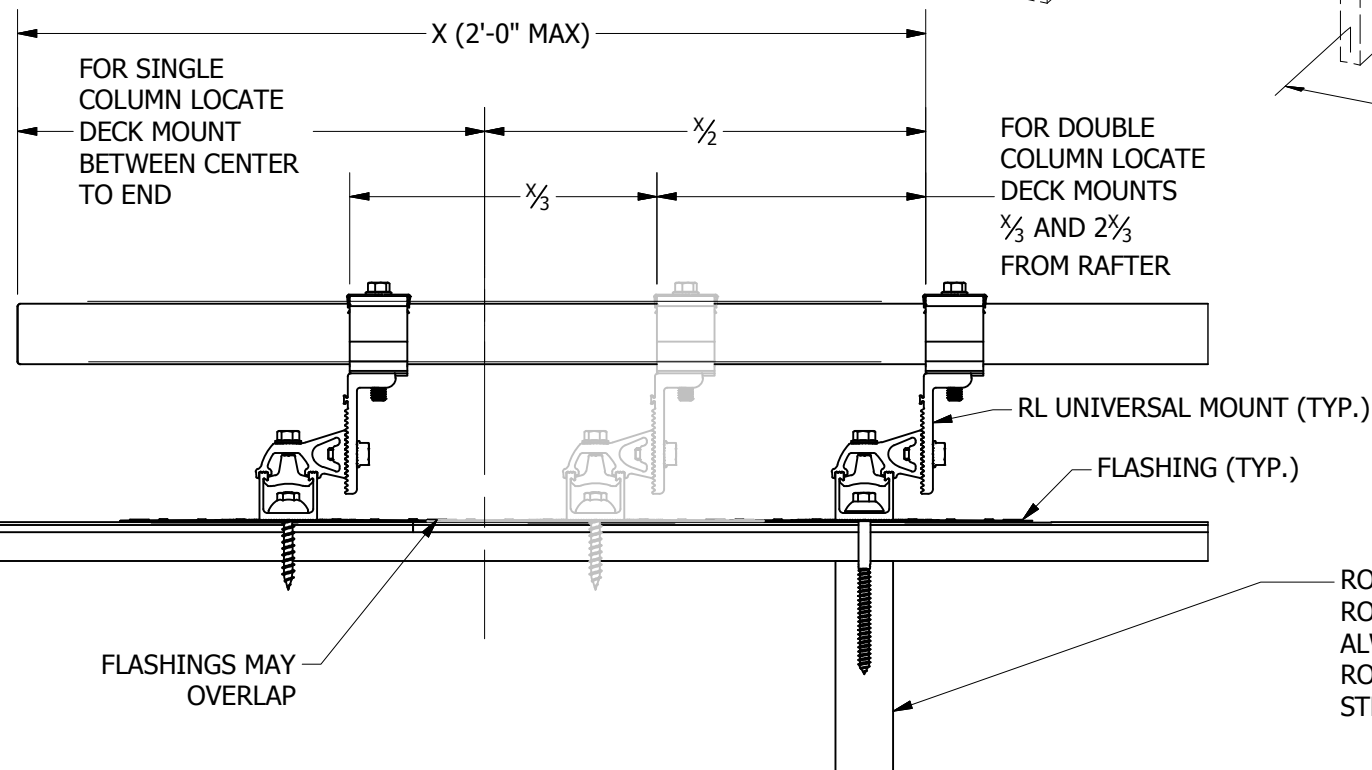
WHEN CANTILEVER LENGTH EXCEEDS  $\frac{1}{3}$ , MOUNTING THE RL COMP FLASH TRACK DIRECTLY TO ROOF DECK IS PERMISSIBLE TO ADD SUPPORT TO THE OVER-EXTENDED CANTILEVER. SEE TABLE IN APPENDIX A FOR CONDITIONS WHEN SINGLE OR DOUBLE COLUMNS OF DECK MOUNTS ARE ACCEPTABLE. COLUMN IS DEFINED AS A COLINEAR ARRANGEMENT OF MOUNTS RUNNING PARALLEL TO RAFTERS

WHEN A SINGLE COLUMN OF DECK MOUNTS ARE PERMITTED PER APPENDIX A, THEN DECK MOUNTS MUST BE ATTACHED BETWEEN THE CENTER OF THE CANTILEVERED PORTION AND THE OUTER EDGE OF THE MODULE. IF DOUBLE COLUMNS OF DECK MOUNTS ARE SPECIFIED, DISTRIBUTE THE DECK MOUNTS AT  $\frac{1}{3}$  AND  $\frac{2}{3}$  OF THE CANTILEVER



FOR STANDARD COMPOSITION SHINGLE,  
2" X  $\frac{5}{16}$ "  $\varnothing$  STAINLESS STEEL LAG SCREW

FOR PRESIDENTIAL COMPOSITION SHINGLE,  
2  $\frac{1}{2}$ " X  $\frac{5}{16}$ "  $\varnothing$  STAINLESS STEEL LAG SCREW



SEE APPROPRIATE ENGINEERING TABLES FOR MAXIMUM SUPPORT SPACING

ROOF RAFTER (TYP.)  
ROOF ATTACHMENT SHALL ALWAYS BE EMBEDDED INTO ROOF RAFTERS OR OTHER STRUCTURAL MEMBERS