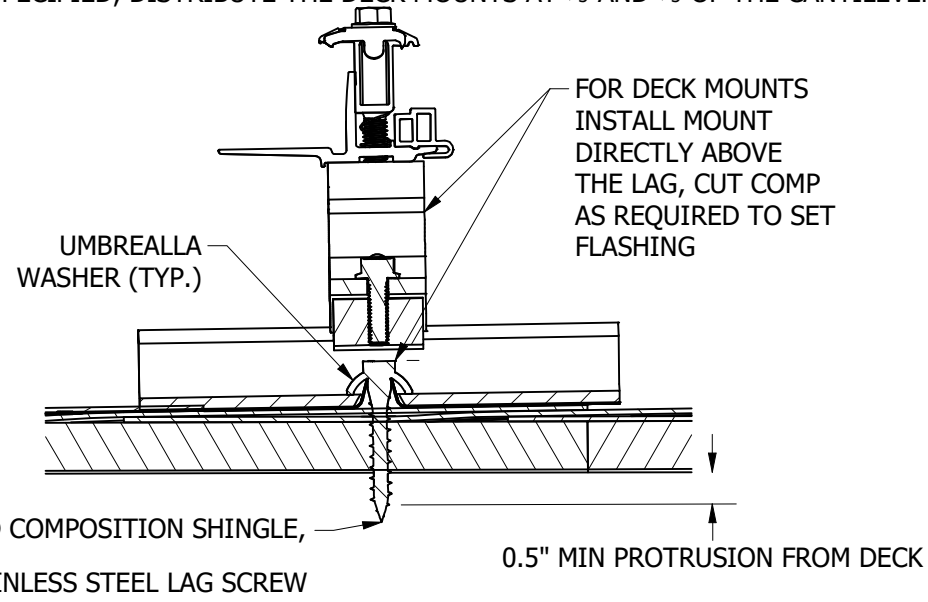


SNAPNRACK RL UNIVERSAL SOLAR MOUNTING SOLUTION DECK MOUNT DETAIL

REVISION:		
1	5/1/2019	NEW DETAIL BDP

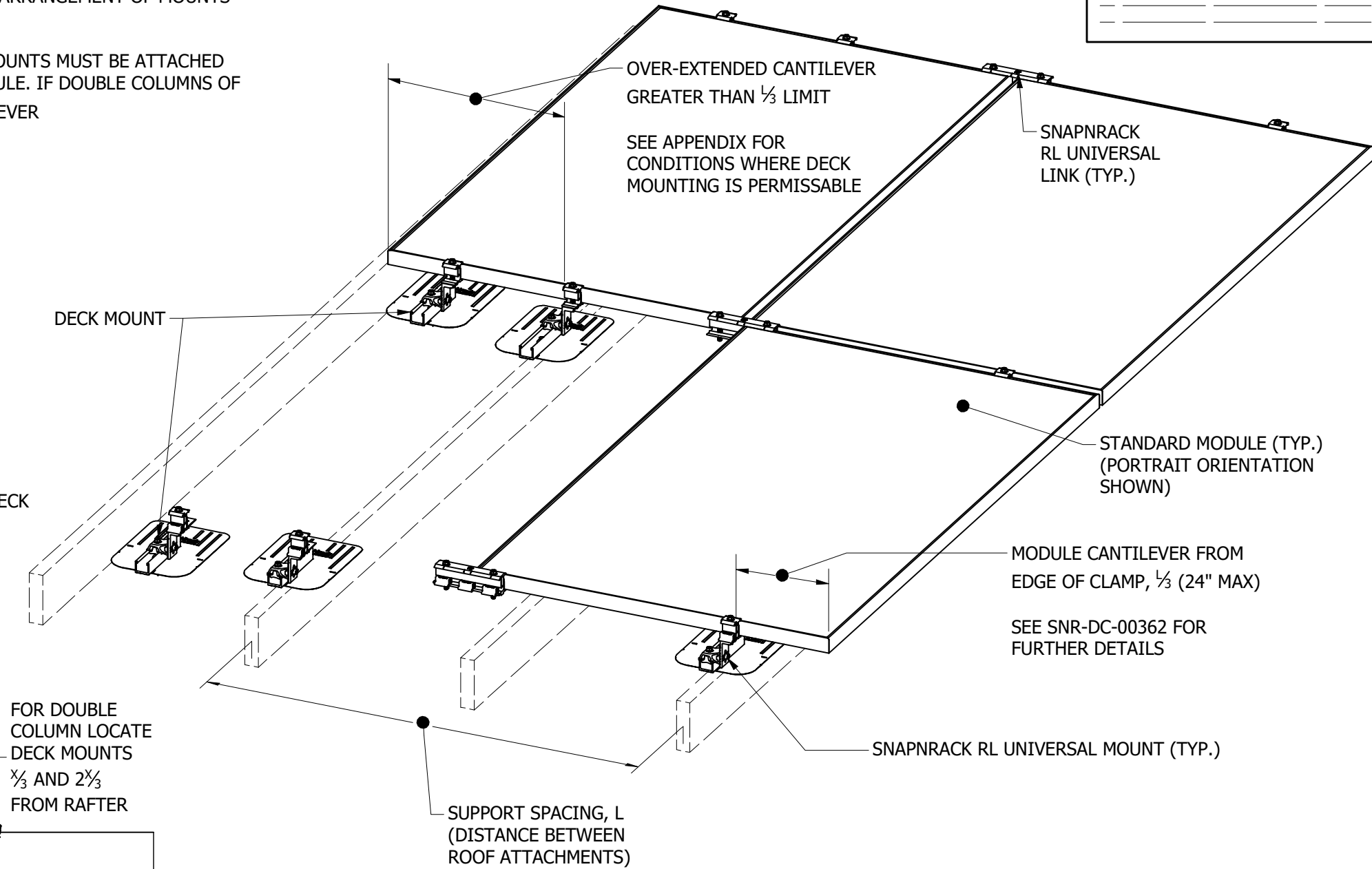
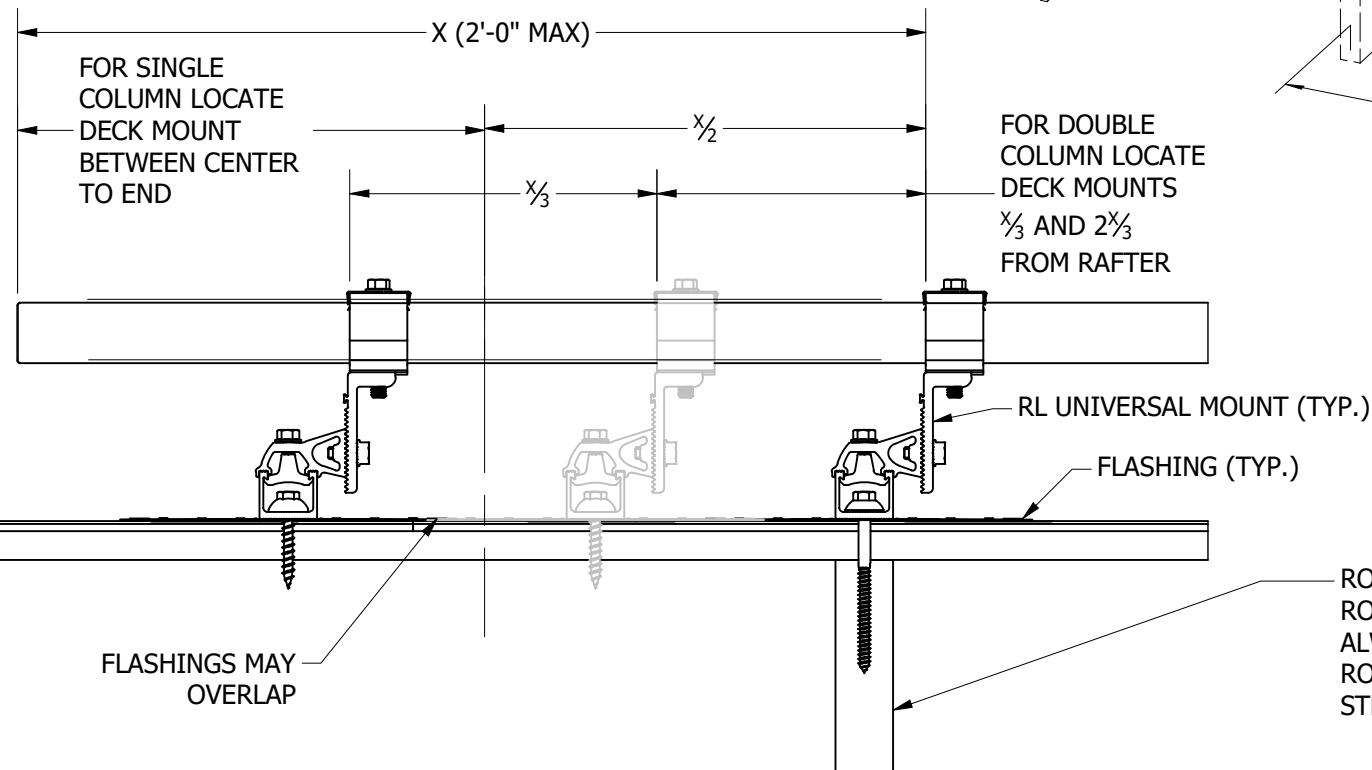
WHEN CANTILEVER LENGTH EXCEEDS  $\frac{1}{3}$ , MOUNTING THE RL COMP FLASH TRACK DIRECTLY TO ROOF DECK IS PERMISSIBLE TO ADD SUPPORT TO THE OVER-EXTENDED CANTILEVER. SEE TABLE IN APPENDIX A FOR CONDITIONS WHEN SINGLE OR DOUBLE COLUMNS OF DECK MOUNTS ARE ACCEPTABLE. COLUMN IS DEFINED AS A COLINEAR ARRANGEMENT OF MOUNTS RUNNING PARALLEL TO RAFTERS

WHEN A SINGLE COLUMN OF DECK MOUNTS ARE PERMITTED PER APPENDIX A, THEN DECK MOUNTS MUST BE ATTACHED BETWEEN THE CENTER OF THE CANTILEVERED PORTION AND THE OUTER EDGE OF THE MODULE. IF DOUBLE COLUMNS OF DECK MOUNTS ARE SPECIFIED, DISTRIBUTE THE DECK MOUNTS AT  $\frac{1}{3}$  AND  $\frac{2}{3}$  OF THE CANTILEVER



FOR STANDARD COMPOSITION SHINGLE,  
2" X  $\frac{5}{16}$ "  $\varnothing$  STAINLESS STEEL LAG SCREW

FOR PRESIDENTIAL COMPOSITION SHINGLE,  
2  $\frac{1}{2}$ " X  $\frac{5}{16}$ "  $\varnothing$  STAINLESS STEEL LAG SCREW



SEE APPROPRIATE ENGINEERING TABLES FOR MAXIMUM SUPPORT SPACING

ROOF RAFTER (TYP.)  
ROOF ATTACHMENT SHALL ALWAYS BE EMBEDDED INTO ROOF RAFTERS OR OTHER STRUCTURAL MEMBERS



Sunrun South LLC  
595 MARKET STREET, 29TH FLOOR • SAN FRANCISCO, CA 94105 USA  
PHONE (415) 580-6900 • FAX (415) 580-6902  
THE INFORMATION IN THIS DRAWING IS CONFIDENTIAL AND PROPRIETARY. ANY REPRODUCTION, DISCLOSURE, OR USE THEREOF IS PROHIBITED WITHOUT THE WRITTEN CONSENT OF SUNRUN SOUTH LLC.

DESIGNER: B.PETERSON  
DRAFTER: B.PETERSON  
APPROVED BY: B.PETERSON

SCALE: NTS  
DATE: 5/1/2019

DRAWING NUMBER:  
SNR-DC-00366

DESCRIPTION:  
RL UNIVERSAL, SYSTEM DETAIL, DECK MOUNT

REV: 1