

SNAPNRACK RL UNIVERSAL RIDGE MOUNT  
DETAILS

REFER TO INSTALLATION MANUAL FOR  
FASTENER TORQUE VALUES

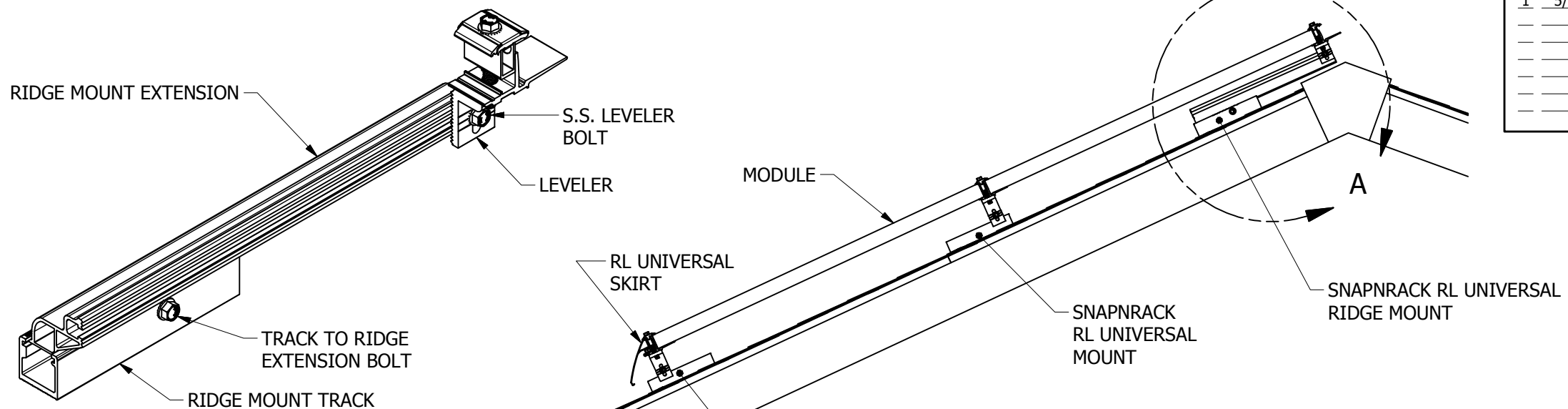
FOR UNEVEN ROOF SURFACES, EACH  
MOUNT HAS 1" OF LEVELING CAPABILITY  
IN 1/8" INCREMENTS

LEVELER CAN BE SECURED IN ANY  
POSITION ALONG THE SIDE CHANNELS OF  
THE RIDGE EXTENSION

REFER TO RIDGE MOUNT TOP VIEW FOR  
EXTENSION LIMITS

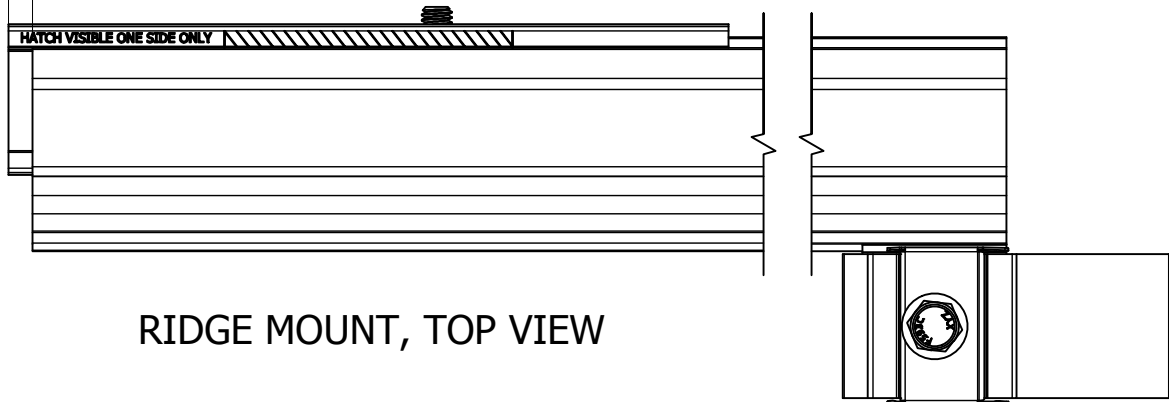
\*\*RIDGE MOUNT CLAMP BOLT ONLY  
CLAMPS THE MODULE BELOW. NO MODULE  
PLACED UPSLOPE OF RIDGE EXTENSION

REVISION:			
NO.	DATE	DESCRIPTION	BY
1	5/1/2019	NEW DETAIL	DR

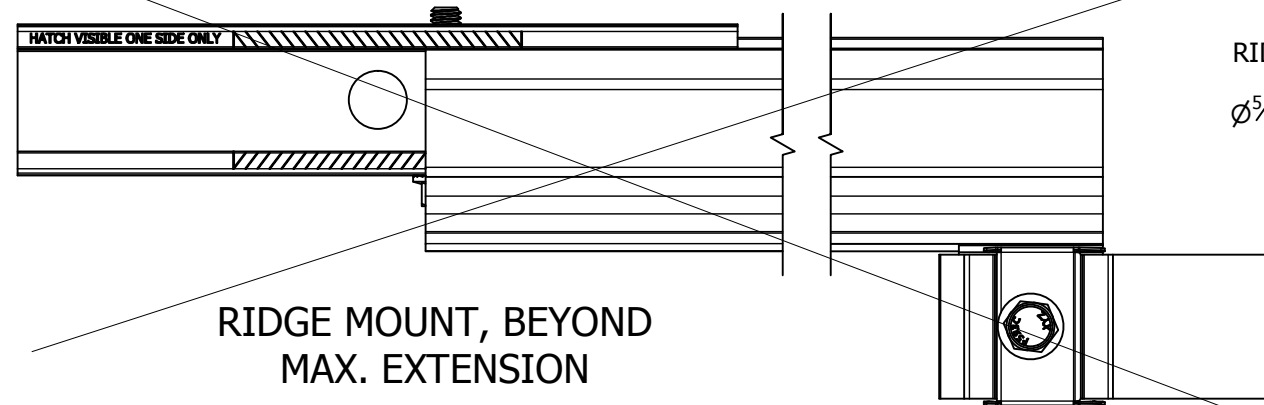


RIDGE MOUNT COMPONENTS

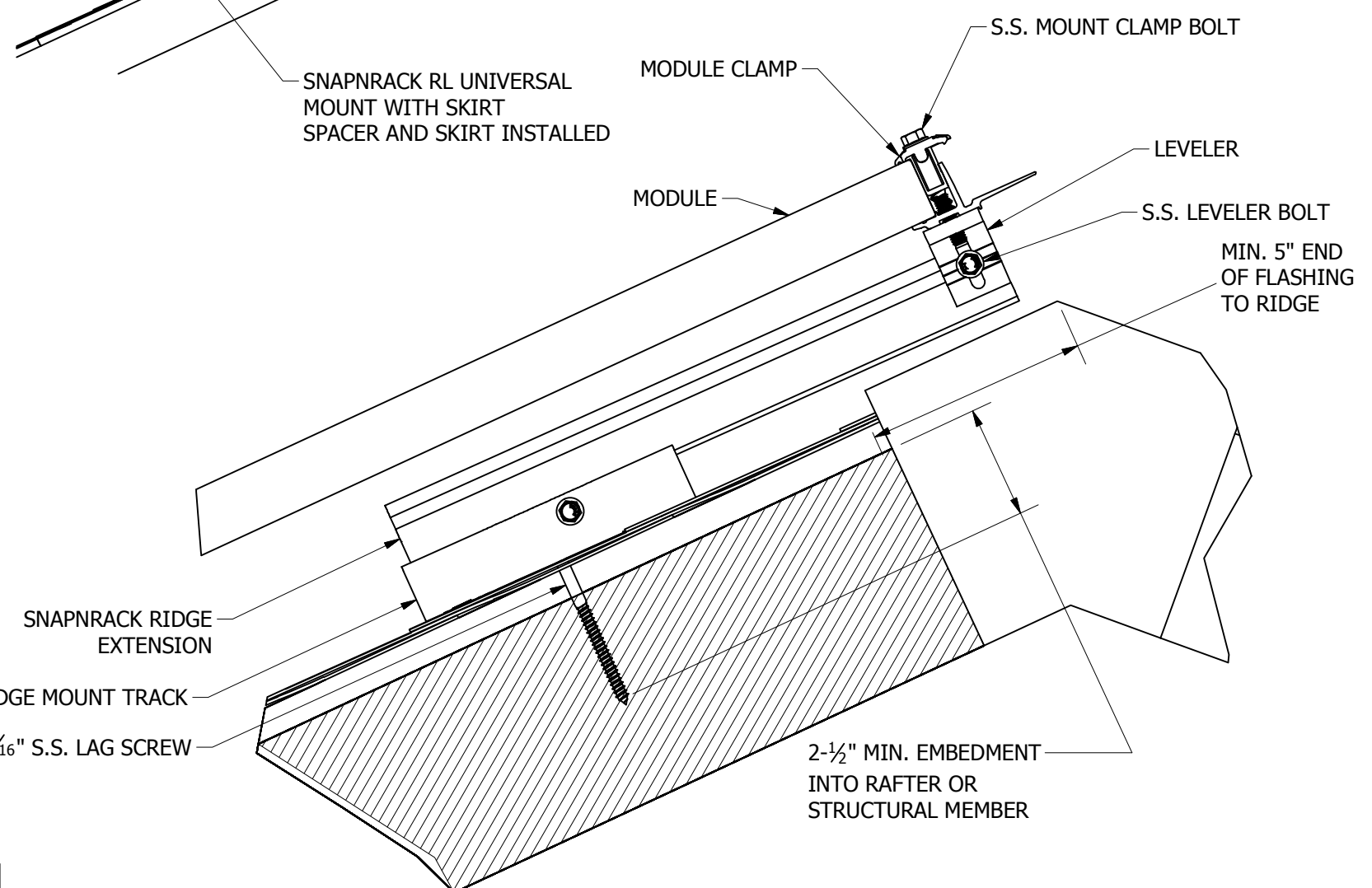
POSITION RIDGE EXTENSION ON  
TRACK SO THAT HATCHED PATTERN  
IS VISIBLE ON ONE SIDE ONLY



RIDGE MOUNT, TOP VIEW



RIDGE MOUNT, BEYOND  
MAX. EXTENSION



DETAIL A