

SNAPNRACK RL UNIVERSAL RIDGE MOUNT
DETAILS

REFER TO INSTALLATION MANUAL FOR
FASTENER TORQUE VALUES

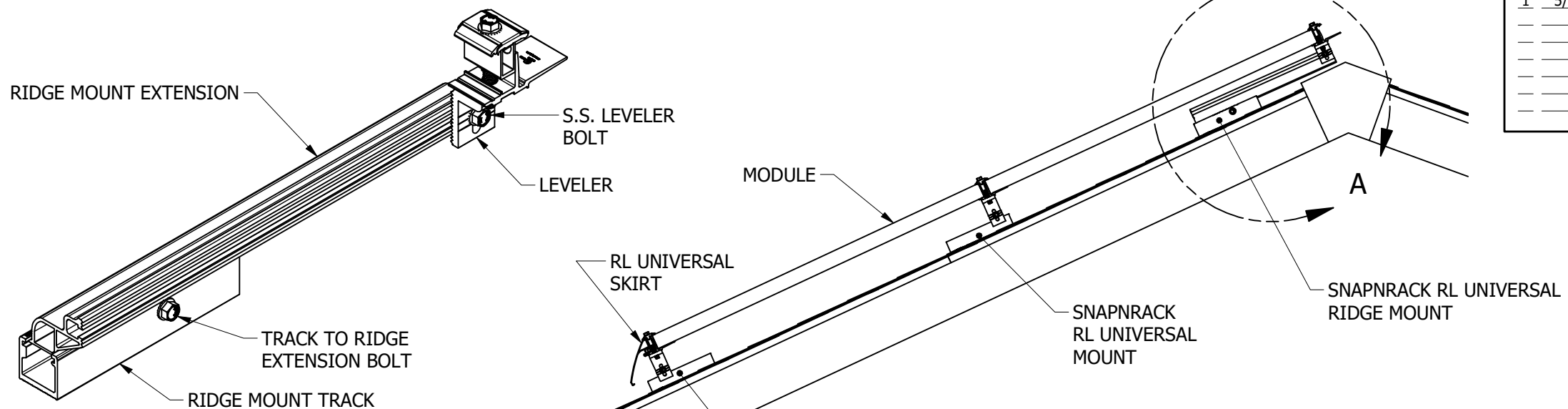
FOR UNEVEN ROOF SURFACES, EACH
MOUNT HAS 1" OF LEVELING CAPABILITY
IN 1/8" INCREMENTS

LEVELER CAN BE SECURED IN ANY
POSITION ALONG THE SIDE CHANNELS OF
THE RIDGE EXTENSION

REFER TO RIDGE MOUNT TOP VIEW FOR
EXTENSION LIMITS

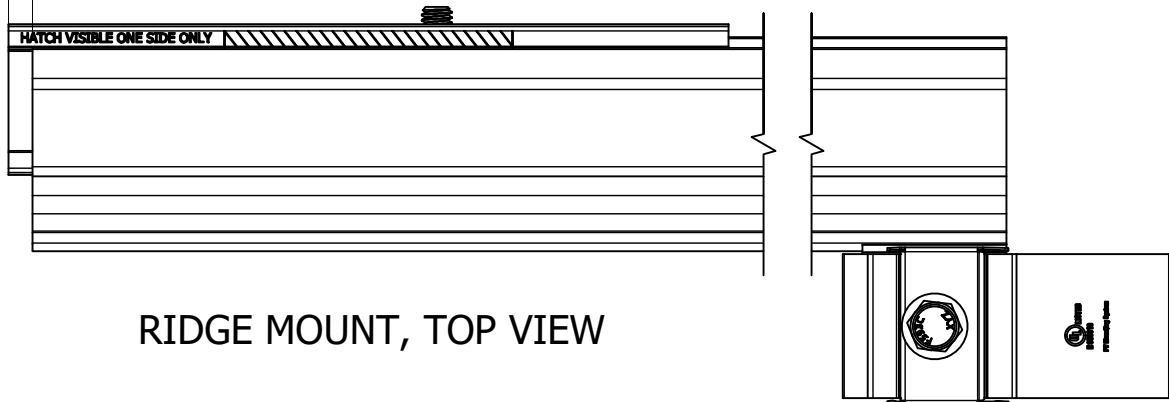
**RIDGE MOUNT CLAMP BOLT ONLY
CLAMPS THE MODULE BELOW. NO MODULE
PLACED UPSLOPE OF RIDGE EXTENSION

REVISION:			
NO.	DATE	DESCRIPTION	BY
1	5/1/2019	NEW DETAIL	DR

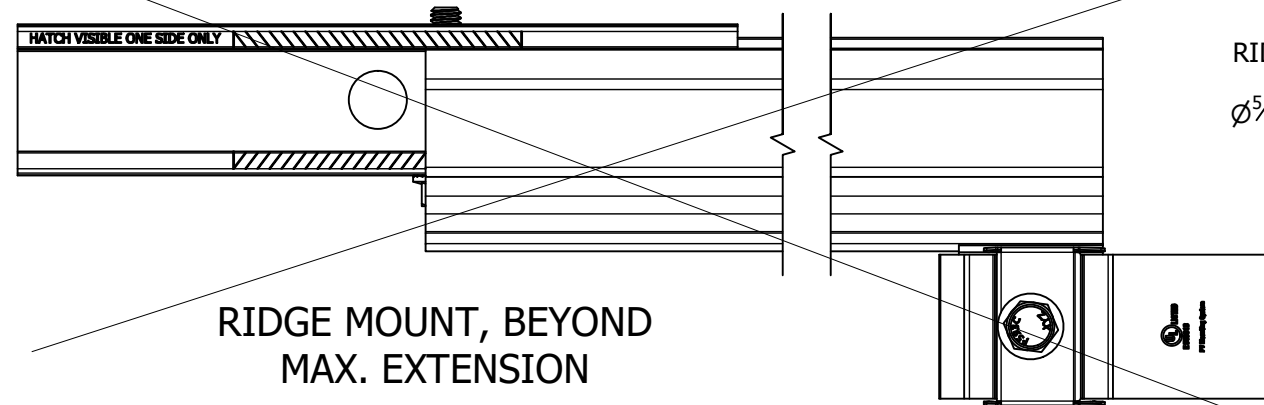


RIDGE MOUNT COMPONENTS

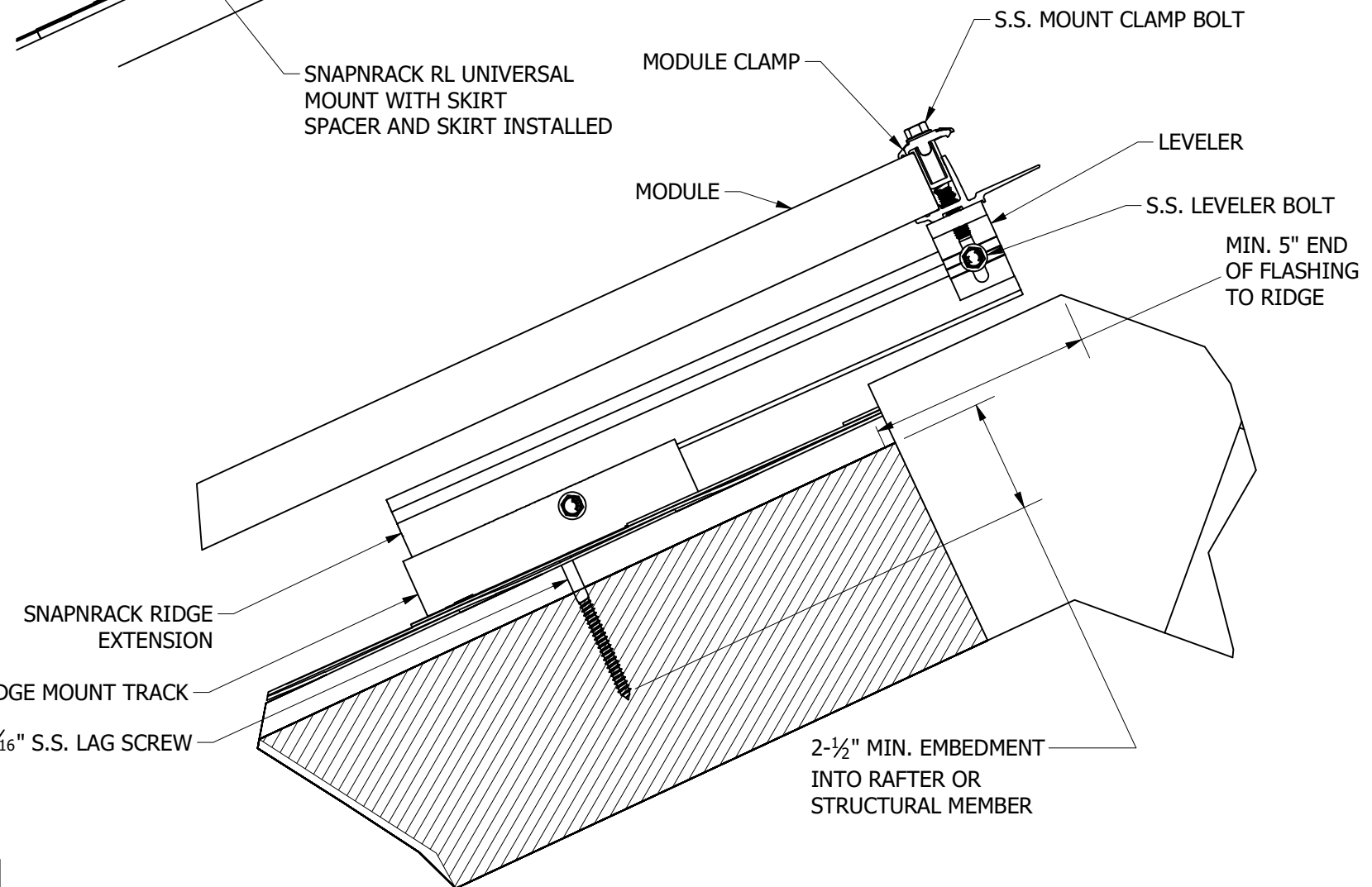
POSITION RIDGE EXTENSION ON
TRACK SO THAT HATCHED PATTERN
IS VISIBLE ON ONE SIDE ONLY



RIDGE MOUNT, TOP VIEW



RIDGE MOUNT, BEYOND
MAX. EXTENSION



DETAIL A