

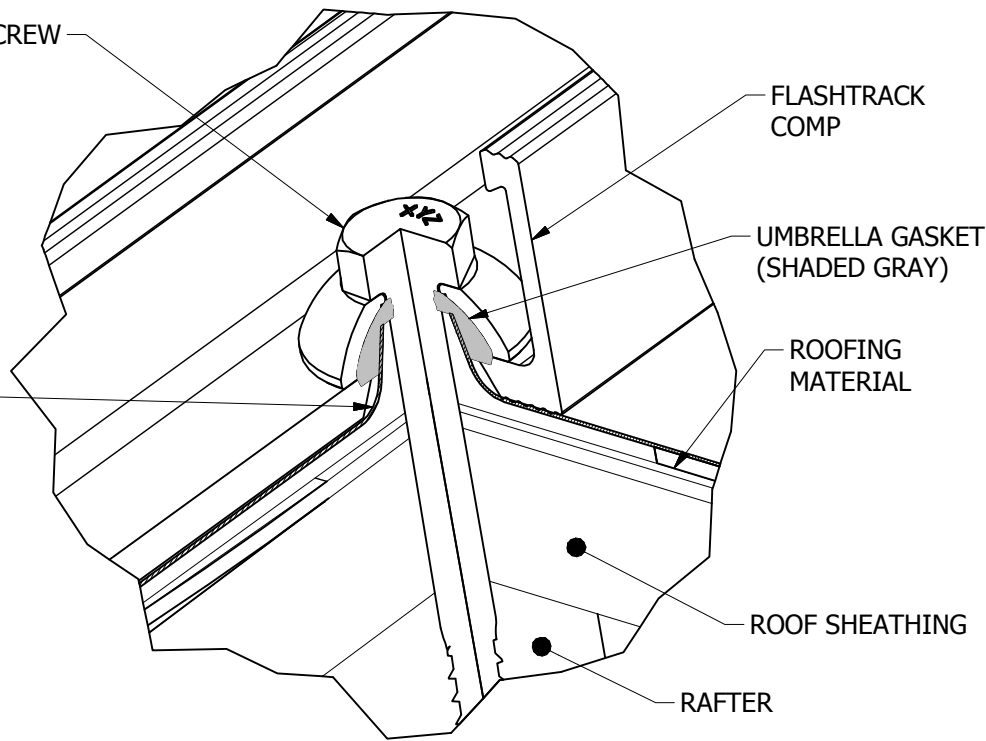
SNAPNRACK RL UNIVERSAL FLASHTRACK COMP MOUNTING

EMBED  $\phi^{5/16}$ " UMBRELLA LAG SCREW 2-1/2" INTO THE ROOF STRUCTURAL MEMBER / RAFTER

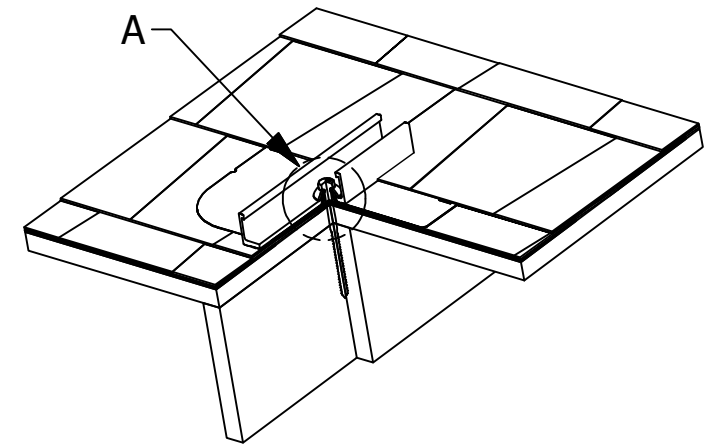
FOR TORQUE SPECIFICATIONS SEE INSTALLATION MANUAL

REVISION:			
1	5/1/2019	NEW DETAIL	DR

$\phi^{5/16}$ " S.S. UMBRELLA LAG SCREW

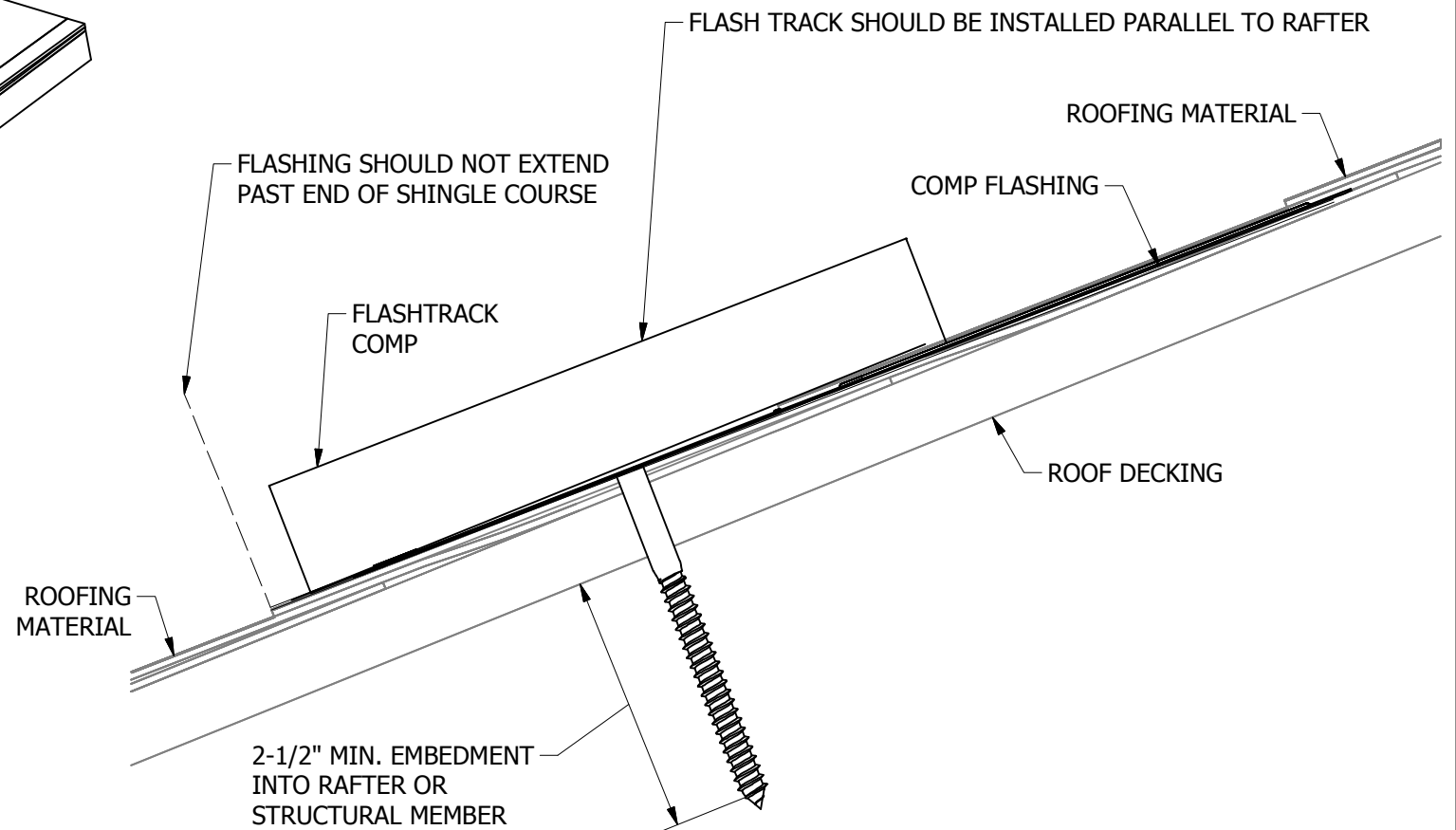
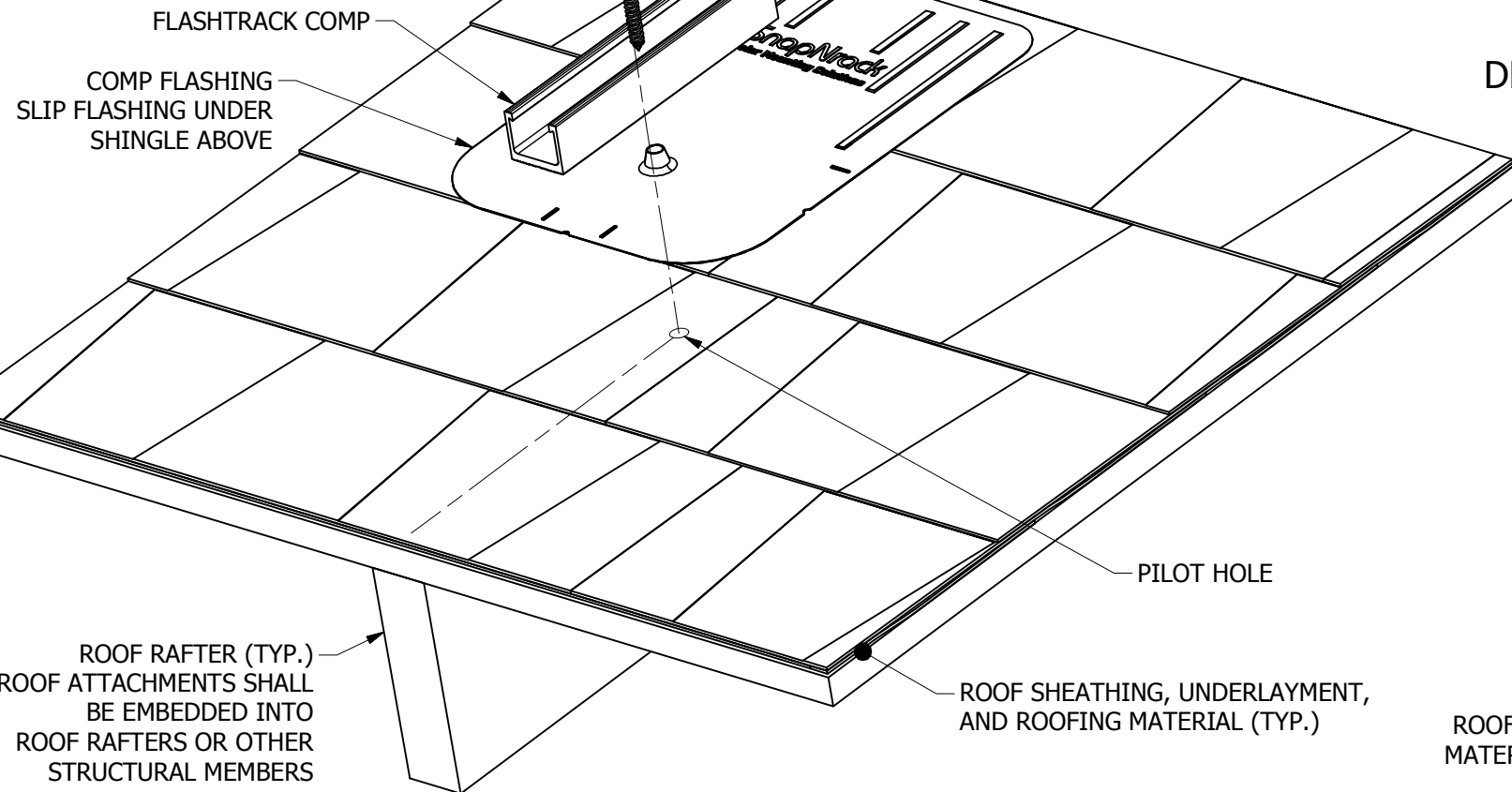


DETAIL A



COMPLETED INSTALLATION SECTION VIEW

$\phi^{5/16}$ " S.S. UMBRELLA LAG SCREW  
2-1/2" MINIMUM EMBEDMENT



COMPLETED INSTALLATION



Sunrun South LLC  
595 MARKET STREET, 29TH FLOOR • SAN FRANCISCO, CA 94105 USA  
PHONE (415) 580-6900 • FAX (415) 580-6902  
THE INFORMATION IN THIS DRAWING IS CONFIDENTIAL AND PROPRIETARY. ANY REPRODUCTION, DISCLOSURE, OR USE THEREOF IS PROHIBITED WITHOUT THE WRITTEN CONSENT OF SUNRUN SOUTH LLC.

DESIGNER: B.PETERSON  
DRAFTER: D.RYAN  
APPROVED BY: B.PETERSON

SCALE: NTS  
DATE: 5/1/2019

DRAWING NUMBER:  
SNR-DC-00369

DESCRIPTION: RL UNIVERSAL, ATTACHMENT DETAIL, FLASHTRACK ON COMP

REV: 1