

DESCRIPTION:
SNAPNRACK, TDS, UR-60 RAIL

DOC NUMBER:
SNR-DC-01351



PART NUMBER(S):
232-02539, 232-02540, 232-02541

DRAWN BY:
H.WULFEKOETTER

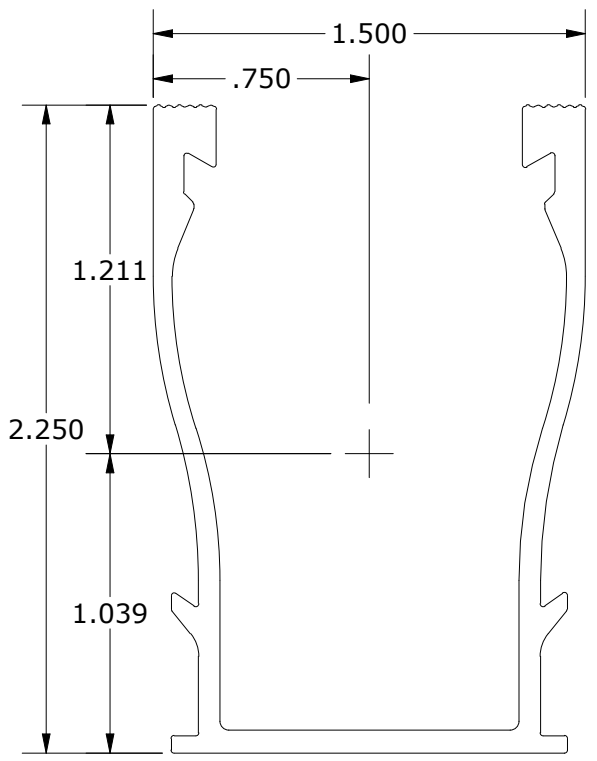
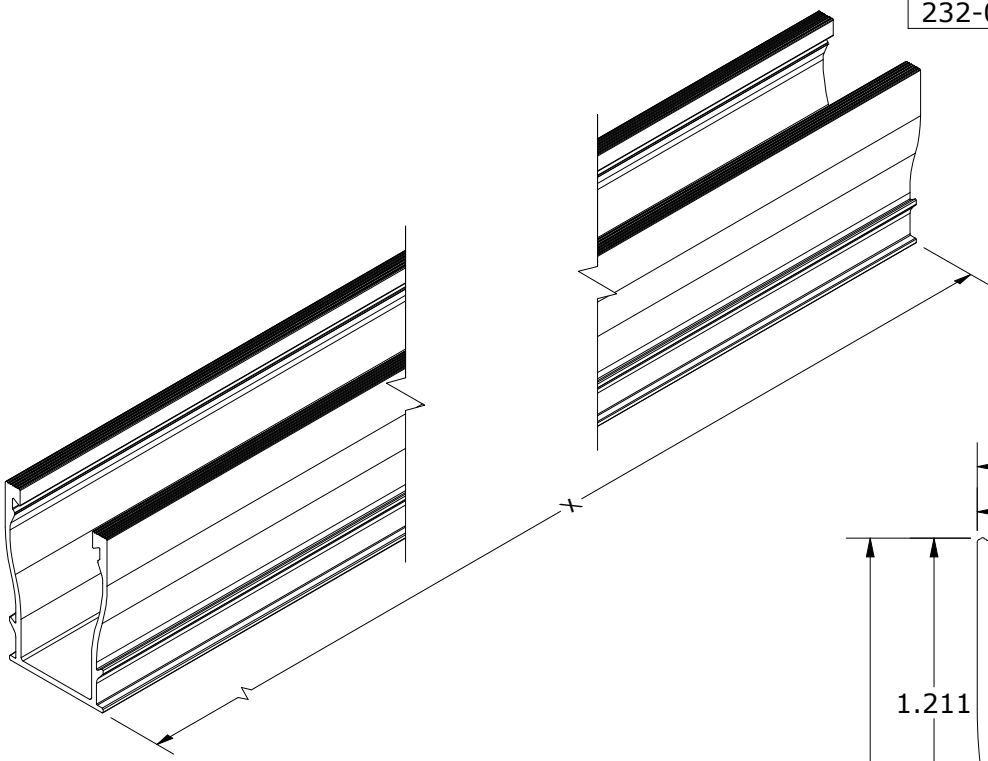
SUNRUN INSTALLATION SERVICES INC.

UNITS: IN, LB, DEG [MM, KG, DEG] SHEET: 1:1

REV: **C** DATE: 1/23/2023

225 BUSH STREET, SUITE 1400 • SAN FRANCISCO, CA 94104 USA
PHONE (877) 732-2860 • CONTACT@SNAPNRACK.COM
THE INFORMATION IN THIS DRAWING IS CONFIDENTIAL AND PROPRIETARY. ANY REPRODUCTION, DISCLOSURE, OR USE THEREOF IS PROHIBITED WITHOUT THE WRITTEN CONSENT OF SUNRUN SOUTH LLC.

UR-60 RAIL PROPERTIES		
SKU	FINISH	RAIL LENGTH
232-02539	MILL	172 in
232-02540	SILVER	172 in
232-02541	BLACK	172 in



SECTION PROPERTIES	
A	0.515 in ²
I _{xx}	0.327 in ⁴
I _{yy}	0.181 in ⁴
S _x (TOP)	0.270 in ³
S _x (BOT)	0.315 in ³
S _y (LEFT)	0.242 in ³
S _y (RIGHT)	0.242 in ³

MATERIALS:	6000 SERIES ALUMINUM
DESIGN LOAD (LBS):	N/A
ULTIMATE LOAD (LBS):	N/A
TORQUE SPECIFICATION:	N/A FT-LBS
CERTIFICATION:	UL 2703, FILE E359313
WEIGHT (LBS):	8.46 - 8.66