

DESCRIPTION:  
**SNAPNRACK, TDS, ULTRA RAIL SIMPLE TILT  
 BACK LEG 10 DEG LANDSCAPE**

DOC NUMBER:  
 SNR-DC-01369

**SnapNrack®**

PART NUMBER(S):

242-03216

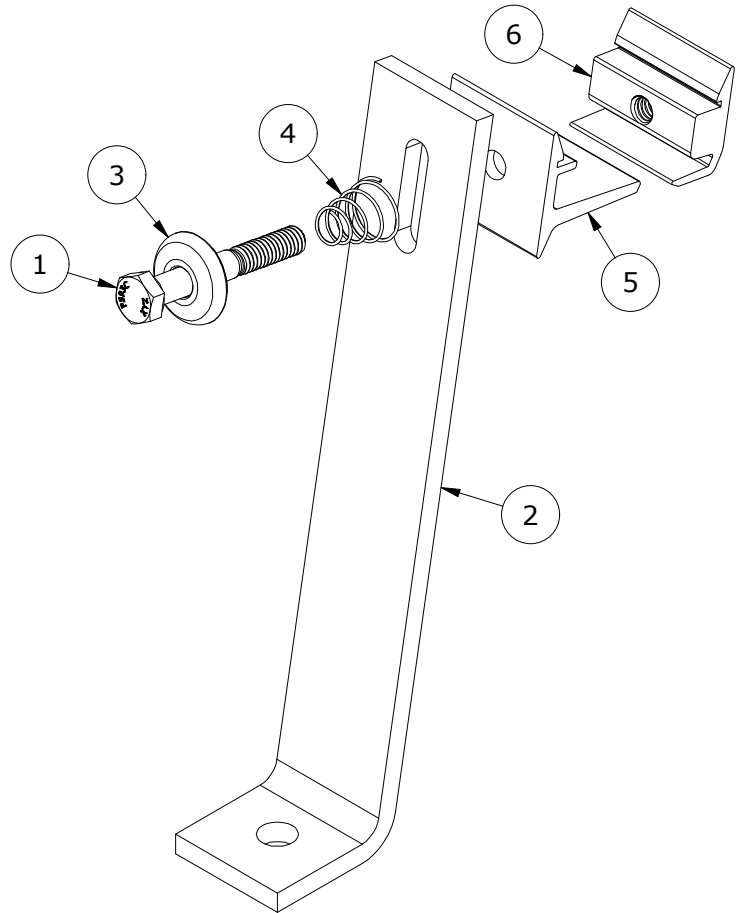
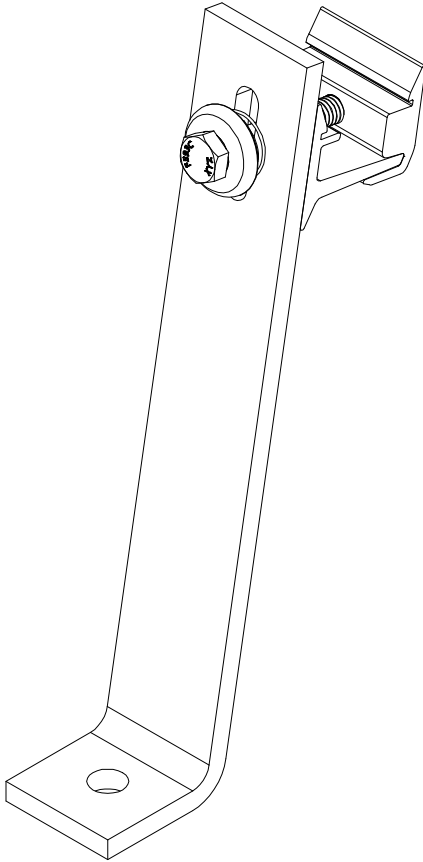
DRAWN BY:  
 H.WULFEKOETTER

REV: **B**      DATE:  
 1/23/2023

SUNRUN INSTALLATION SERVICES INC.  
 225 BUSH STREET, SUITE 1400 • SAN FRANCISCO, CA 94104 USA  
 PHONE (877) 732-2860 • CONTACT@SNAPNRACK.COM  
THE INFORMATION IN THIS DRAWING IS CONFIDENTIAL AND PROPRIETARY. ANY REPRODUCTION, DISCLOSURE, OR USE THEREOF IS PROHIBITED WITHOUT THE WRITTEN CONSENT OF SUNRUN SOUTH LLC.

UNITS: IN, LB, DEG [MM, KG, DEG]

SHEET: 1:2



**PARTS LIST**

ITEM	QTY	DESCRIPTION
1	1	5/16IN-18 X 2-1/4IN SS HCS BOLT
2	1	SNAPNRACK, ULTRA RAIL SIMPLE TILT PRC, 10 DEG LANDSCAPE
3	1	SNAPNRACK, ULTRA RAIL MOUNT SPRING CAGE, 6061-T6 AL
4	1	SNAPNRACK, ULTRA RAIL MOUNT SPRING, SS
5	1	SNAPNRACK, ULTRA RAIL MOUNT THRU PRC, CLEAR
6	1	SNAPNRACK, ULTRA RAIL MOUNT TAPPED PRC, CLEAR

NOTE:  
 ALSO KNOWN AS TILT LEG PLUS

MATERIALS: 6000 SERIES ALUMINUM, STAINLESS STEEL

DESIGN LOAD (LBS): 789 UP, 833 DOWN, 654 SIDE

ULTIMATE LOAD (LBS): N/A

TORQUE SPECIFICATION: 12 FT-LBS

CERTIFICATION: UL 2703, FILE E359313

WEIGHT (LBS): 0.55

DESCRIPTION:  
SNAPNRACK, TDS, ULTRA RAIL SIMPLE TILT  
BACK LEG 10 DEG LANDSCAPE

DOC NUMBER:  
SNR-DC-01369

SnapNrack®

PART NUMBER(S):

242-03216

DRAWN BY:  
H.WULFEKOETTER

REV: **B**      DATE:  
1/23/2023

SUNRUN INSTALLATION SERVICES INC.

225 BUSH STREET, SUITE 1400 • SAN FRANCISCO, CA 94104 USA  
PHONE (877) 732-2860 • CONTACT@SNAPNRACK.COM

THE INFORMATION IN THIS DRAWING IS CONFIDENTIAL AND PROPRIETARY. ANY  
REPRODUCTION, DISCLOSURE, OR USE THEREOF IS PROHIBITED WITHOUT THE  
WRITTEN CONSENT OF SUNRUN SOUTH LLC.

UNITS: IN, LB, DEG [MM, KG, DEG]

SHEET: 2:2

