

DESCRIPTION:  
**SNAPNRACK, TDS, ULTRA RAIL SIMPLE TILT**

PART NUMBER(S):  
**242-10060, 242-10061, 242-10062**

UNITS: IN, LB, DEG [MM, KG, DEG]      SHEET: 1:2

DOC NUMBER:  
**SNR-DC-01370**

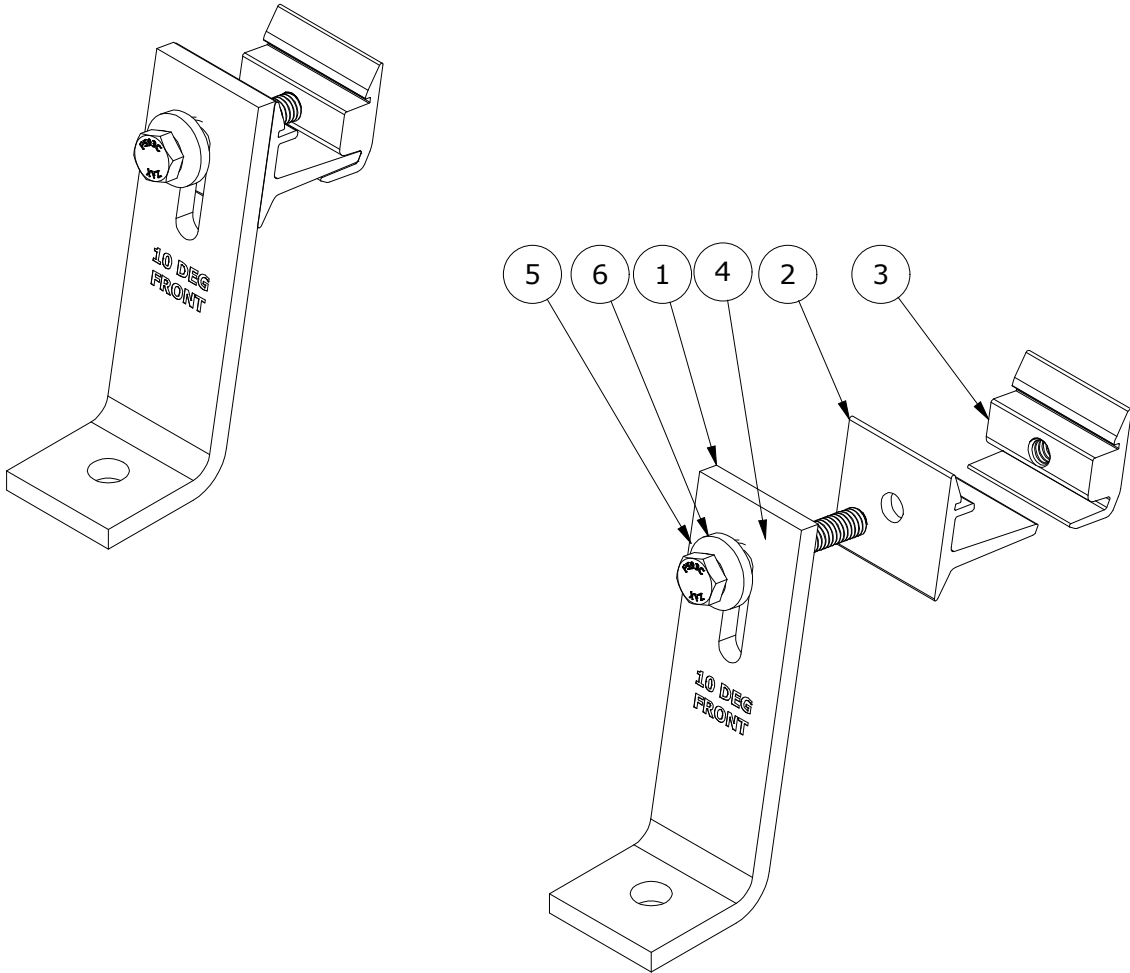
DRAWN BY:  
**H.WULFEKOETTER**

REV: **C**      DATE:  
**3/3/2025**

**SnapNrack®**

SNR SOLAR LLC  
 775 FIERO LANE, SUITE 200  
 SAN LUIS OBISPO, CA 93401 USA  
 EMAIL: CONTACT@SNAPNRACK.COM

THE INFORMATION IN THIS DRAWING IS CONFIDENTIAL AND PROPRIETARY. ANY REPRODUCTION, DISCLOSURE, OR USE THEREOF IS PROHIBITED WITHOUT THE WRITTEN CONSENT OF SNR SOLAR LLC.



PARTS LIST		
ITEM	QTY	DESCRIPTION
1	1	SNAPNRACK, ULTRA RAIL SIMPLE TILT PRC, LENGTH AND WEIGHT AND HEIGHT VARIES (SEE TABLE 1)
2	1	SNAPNRACK, ULTRA RAIL MOUNT THRU PRC, CLEAR
3	1	SNAPNRACK, ULTRA RAIL MOUNT TAPPED PRC, CLEAR
4	1	5/16IN-18 X 2-1/4IN SS HCS BOLT
5	1	SNAPNRACK, ULTRA RAIL MOUNT SPRING, SS
6	1	SNAPNRACK, ULTRA RAIL MOUNT SPRING CAGE

MATERIALS:	6061-T6 OR 6005-T5, STAINLESS STEEL
DESIGN LOAD (LBS):	789 UP, 833 DOWN, 654 SIDE
ULTIMATE LOAD (LBS):	N/A
TORQUE SPECIFICATION:	12 FT-LBS
CERTIFICATION:	UL 2703, FILE E359313
WEIGHT (LBS):	SEE TABLE ON SHEET 2

DESCRIPTION:  
SNAPNRACK, TDS, ULTRA RAIL SIMPLE TILT

DOC NUMBER:  
SNR-DC-01370

SnapNrack®

PART NUMBER(S):  
242-10060, 242-10061, 242-10062

DRAWN BY:  
H.WULFEKOETTER

REV: **C**      DATE: 3/3/2025

SNR SOLAR LLC  
775 FIERO LANE, SUITE 200  
SAN LUIS OBISPO, CA 93401 USA  
EMAIL: CONTACT@SNAPNRACK.COM  
THE INFORMATION IN THIS DRAWING IS CONFIDENTIAL AND PROPRIETARY. ANY REPRODUCTION, DISCLOSURE, OR USE THEREOF IS PROHIBITED WITHOUT THE WRITTEN CONSENT OF SNR SOLAR LLC.

UNITS: IN, LB, DEG [MM, KG, DEG]      SHEET: 2:2

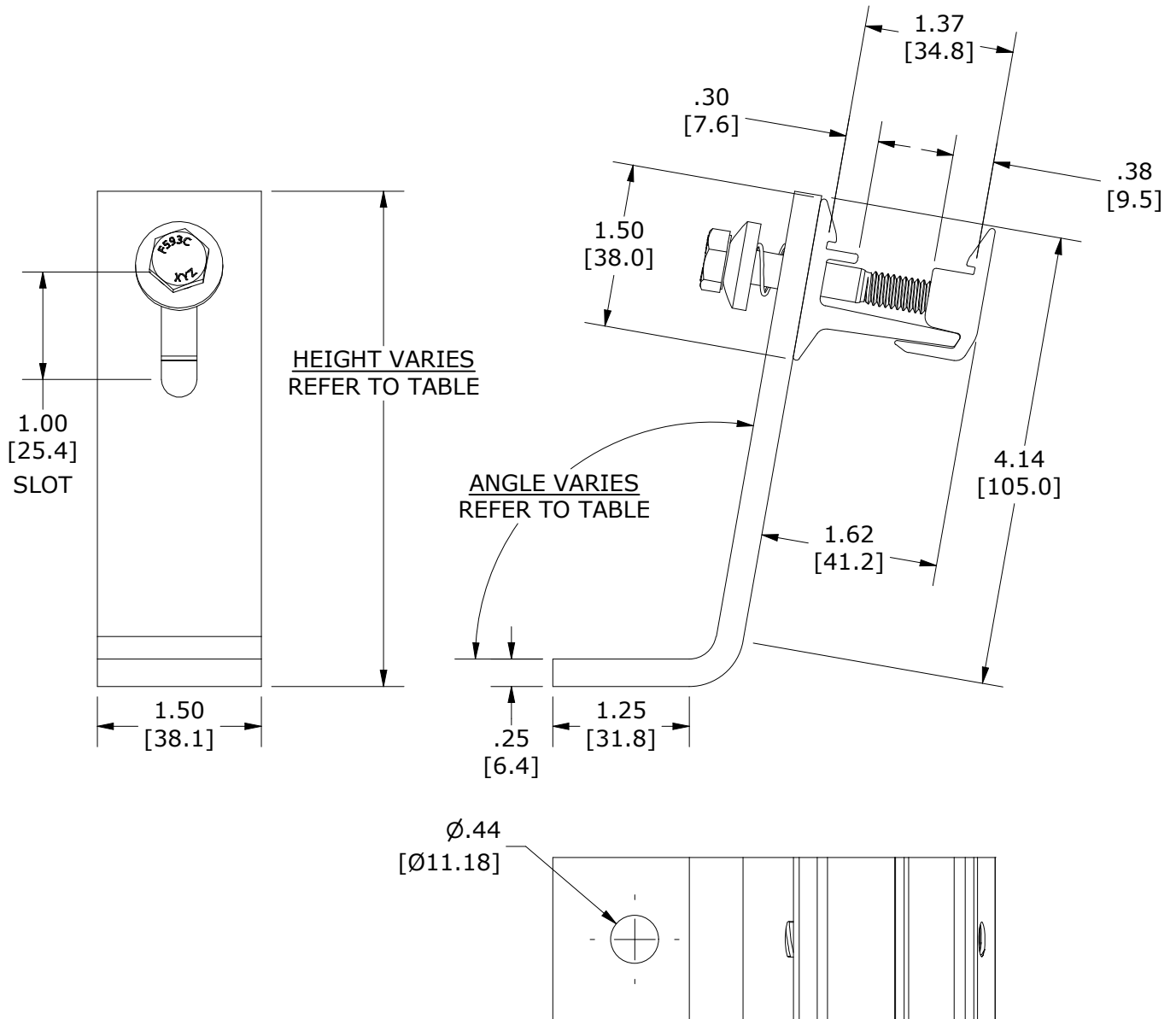


TABLE OF PROPERTIES

ITEM	DESCRIPTION	HEIGHT	WEIGHT	ANGLE
242-10060	Ultra Rail Simple Tilt Front Leg 5 deg	8.59	0.55	5 DEG
242-10061	Ultra Rail Simple Tilt Back Leg Landscape 5 deg	10.70	0.62	5 DEG
242-10062	Ultra Rail Simple Tilt Back Leg Portrait 5 deg	12.80	0.70	5 DEG