

DESCRIPTION:
**SNAPNRACK, TDS, ULTRA RAIL SIMPLE TILT
 BACK LEG 10 DEG PORTRAIT**

DOC NUMBER:
 SNR-DC-01371

SnapNrack®

PART NUMBER(S):

242-03215

DRAWN BY:
 H.WULFEKOETTER

REV: **B** DATE:
 1/24/2023

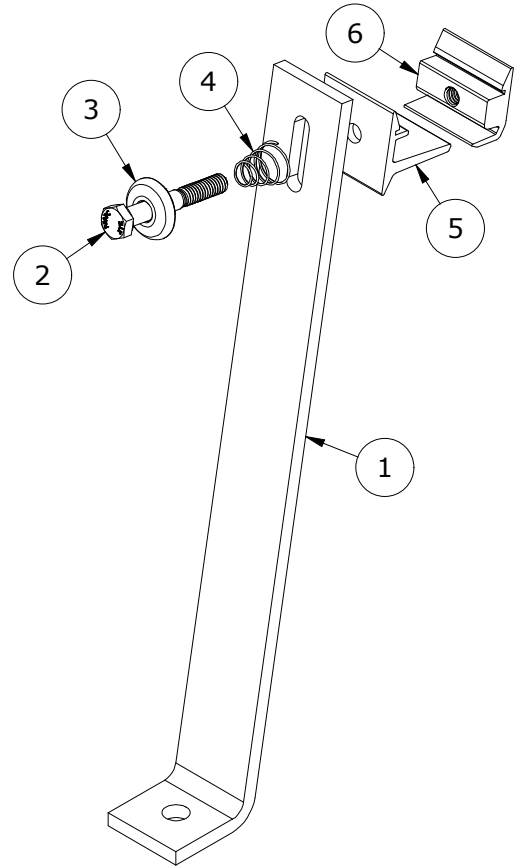
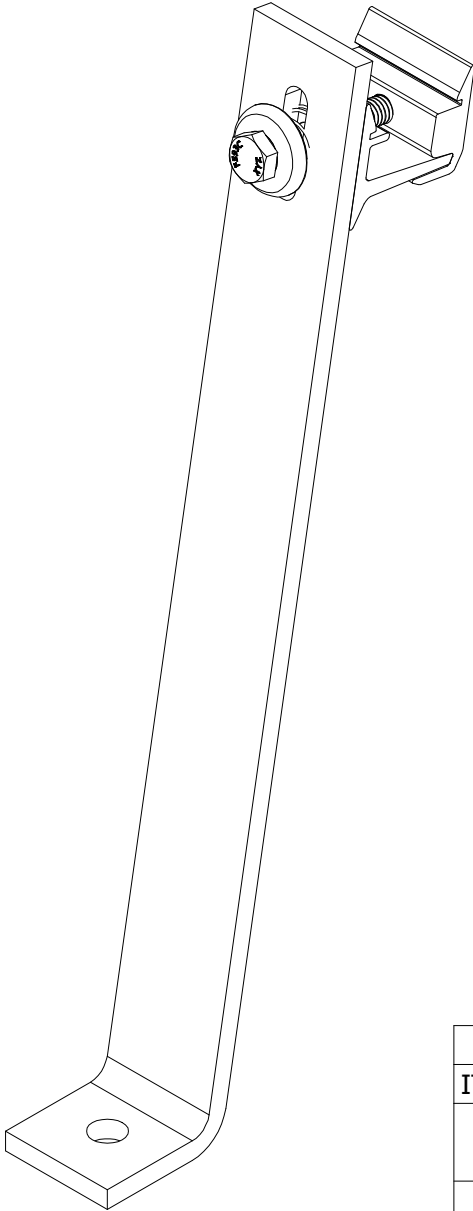
SUNRUN INSTALLATION SERVICES INC.

225 BUSH STREET, SUITE 1400 • SAN FRANCISCO, CA 94104 USA
 PHONE (877) 732-2860 • CONTACT@SNAPNRACK.COM

THE INFORMATION IN THIS DRAWING IS CONFIDENTIAL AND PROPRIETARY. ANY
 REPRODUCTION, DISCLOSURE, OR USE THEREOF IS PROHIBITED WITHOUT THE
 WRITTEN CONSENT OF SUNRUN SOUTH LLC.

UNITS: IN, LB, DEG [MM, KG, DEG]

SHEET: 1:2



PARTS LIST

ITEM	QTY	DESCRIPTION
1	1	SNAPNRACK, ULTRA RAIL SIMPLE TILT PRC, 10 DEG PORTRAIT
2	1	5/16IN-18 X 2-1/4IN SS HCS BOLT
3	1	SNAPNRACK, ULTRA RAIL MOUNT SPRING CAGE, 6061-T6 AL
4	1	SNAPNRACK, ULTRA RAIL MOUNT SPRING, SS
5	1	SNAPNRACK, ULTRA RAIL MOUNT THRU PRC, CLEAR
6	1	SNAPNRACK, ULTRA RAIL MOUNT TAPPED PRC, CLEAR

NOTE:
 ALSO KNOWN AS TILT LEG PLUS

MATERIALS:	6000 SERIES ALUMINUM, STAINLESS STEEL
DESIGN LOAD (LBS):	789 UP, 833 DOWN, 654 SIDE
ULTIMATE LOAD (LBS):	N/A
TORQUE SPECIFICATION:	12 FT-LBS
CERTIFICATION:	UL 2703, FILE E359313
WEIGHT (LBS):	0.70

DESCRIPTION:
SNAPNRACK, TDS, ULTRA RAIL SIMPLE TILT
BACK LEG 10 DEG PORTRAIT

DOC NUMBER:
SNR-DC-01371

SnapNrack®

PART NUMBER(S):

242-03215

DRAWN BY:
H.WULFEKOETTER

REV: **B** DATE:
1/24/2023

SUNRUN INSTALLATION SERVICES INC.

225 BUSH STREET, SUITE 1400 • SAN FRANCISCO, CA 94104 USA
PHONE (877) 732-2860 • CONTACT@SNAPNRACK.COM

THE INFORMATION IN THIS DRAWING IS CONFIDENTIAL AND PROPRIETARY. ANY
REPRODUCTION, DISCLOSURE, OR USE THEREOF IS PROHIBITED WITHOUT THE
WRITTEN CONSENT OF SUNRUN SOUTH LLC.

UNITS: IN, LB, DEG [MM, KG, DEG]

SHEET: 2:2

