

DESCRIPTION:
SNAPNRACK, TDS, RL UNIVERSAL, LINK

DOC NUMBER:
SNR-DC-01379

SnapNrack®

PART NUMBER(S):
242-02156

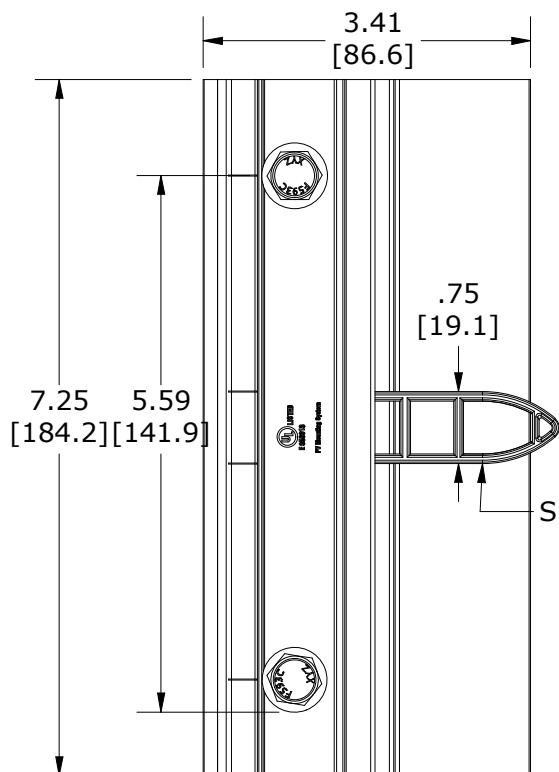
DRAWN BY:
B.Peterson

SUNRUN INSTALLATION SERVICES INC.

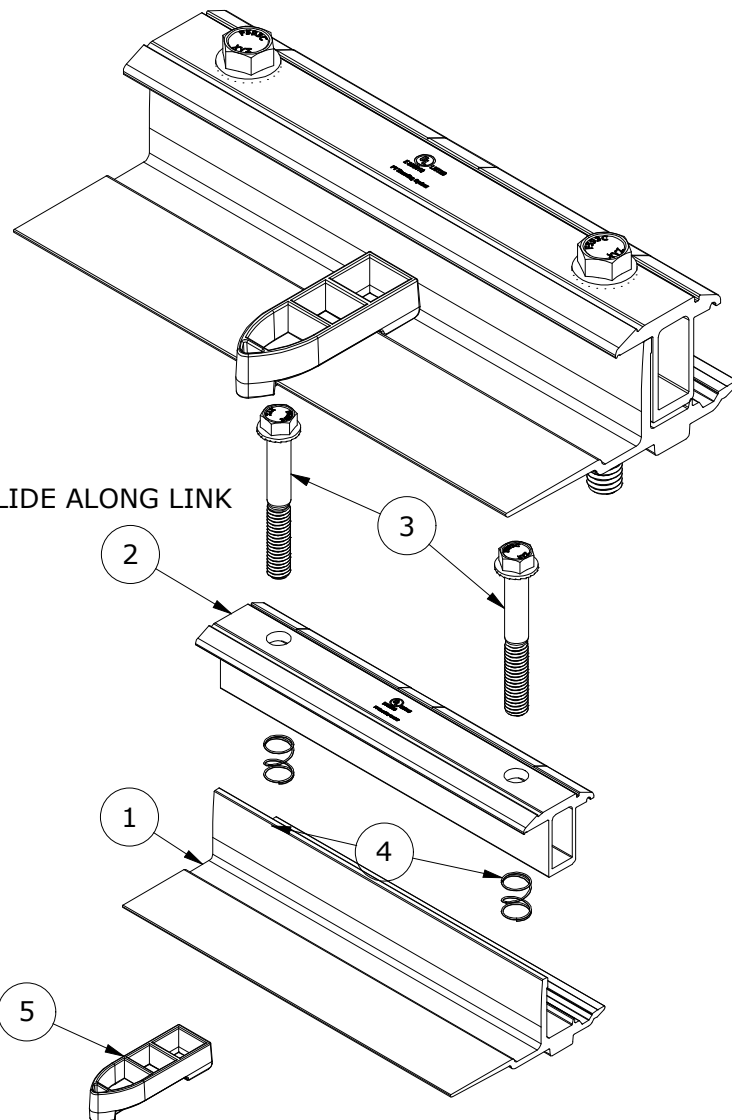
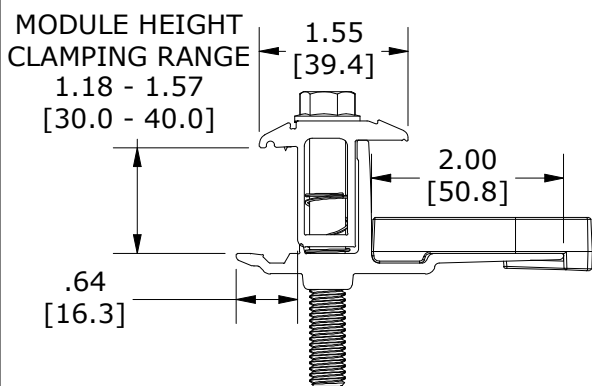
REV: **B** DATE:
1/31/2023

225 BUSH STREET, SUITE 1400 • SAN FRANCISCO, CA 94104 USA
PHONE (877) 732-2860 • CONTACT@SNAPNRACK.COM
THE INFORMATION IN THIS DRAWING IS CONFIDENTIAL AND PROPRIETARY. ANY REPRODUCTION, DISCLOSURE, OR USE THEREOF IS PROHIBITED WITHOUT THE WRITTEN CONSENT OF SUNRUN SOUTH LLC.

UNITS: IN, LB, DEG [MM, KG, DEG] SHEET: 1:1



SPACER CAN SLIDE ALONG LINK



PARTS LIST

ITEM	QTY	DESCRIPTION
1	1	SNAPNRACK, RL UNIVERSAL, LINK BOTTOM, MILL
2	1	SNAPNRACK, RL UNIVERSAL, LINK TOP, BONDING, BLACK
3	2	BOLT, FLANGE, SERRATED, 3/8IN-16 X 2-3/4IN, 1/2IN TRIM HEAD, 1.2IN THREAD, BLACK, SS
4	2	SNAPNRACK, RL UNIVERSAL, MOUNT SPRING, SS
5	1	SNAPNRACK, RL UNIVERSAL, LINK COLUMN SPACER

MATERIALS: 6000 SERIES ALUMINUM, STAINLESS STEEL, POLYCARBONATE

DESIGN LOAD (LBS): N/A

ULTIMATE LOAD (LBS): N/A

TORQUE SPECIFICATION: 12 FT-LBS

CERTIFICATION: UL 2703, FILE E359313

WEIGHT (LBS): 1.03