

DESCRIPTION:
SNAPRACK, TDS, RL UNIVERSAL, RIDGE MOUNT

DOC NUMBER:
 SNR-DC-01380

SnapNrack®

PART NUMBER(S):

242-02157

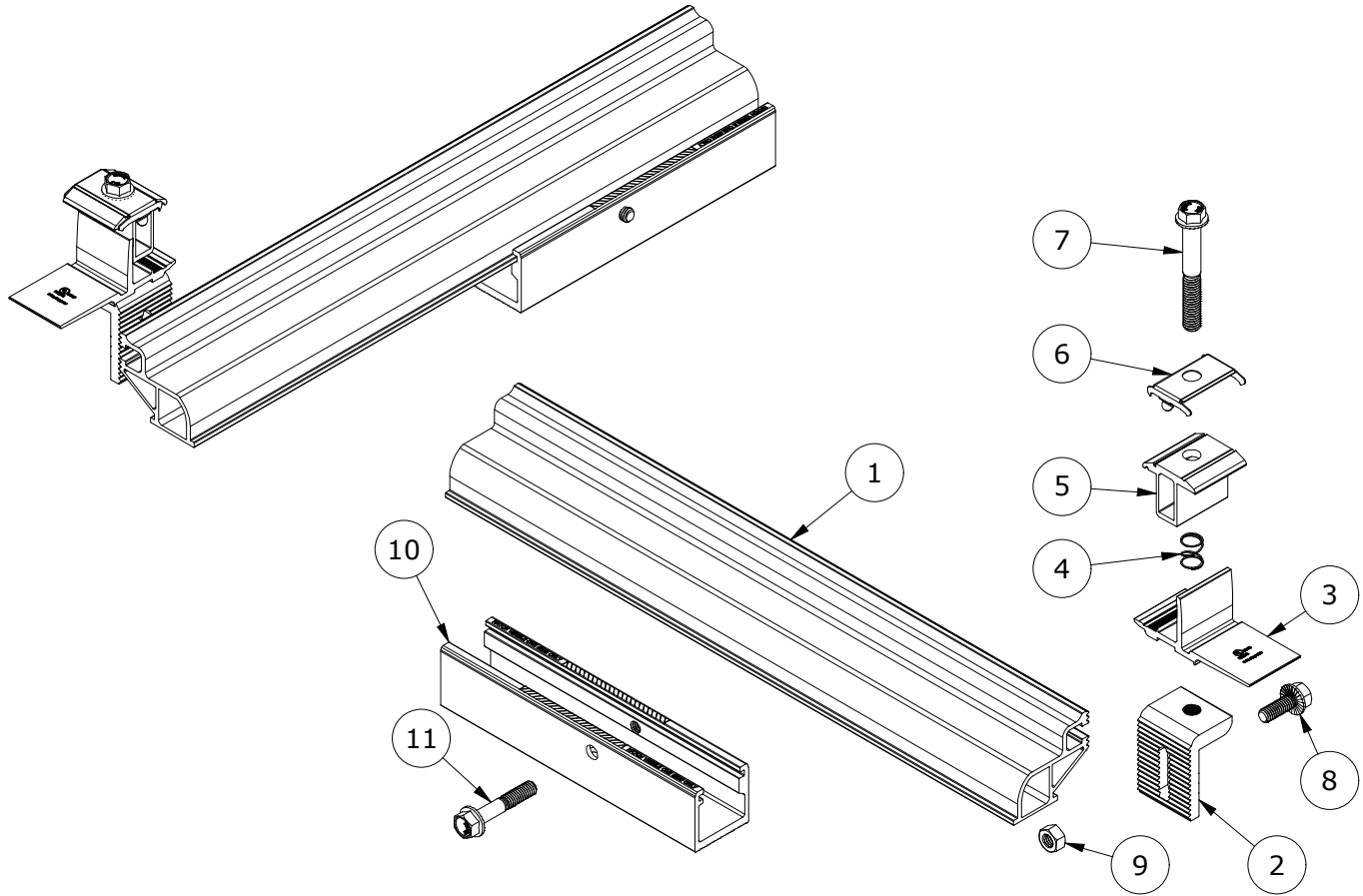
DRAWN BY:
 H.WULFEKOETTER

REV: **B** DATE: 1/24/2023

SUNRUN INSTALLATION SERVICES INC.
 225 BUSH STREET, SUITE 1400 • SAN FRANCISCO, CA 94104 USA
 PHONE (877) 732-2860 • CONTACT@SNAPNRACK.COM
THE INFORMATION IN THIS DRAWING IS CONFIDENTIAL AND PROPRIETARY. ANY REPRODUCTION, DISCLOSURE, OR USE THEREOF IS PROHIBITED WITHOUT THE WRITTEN CONSENT OF SUNRUN SOUTH LLC.

UNITS: IN, LB, DEG [MM, KG, DEG]

SHEET: 1:2



PARTS LIST

ITEM	QTY	DESCRIPTION
1	1	SNAPRACK, RL UNIVERSAL, RIDGE MOUNT EXTENSION, 16-3/4IN, MILL
2	1	SNAPRACK, RL UNIVERSAL, RIDGE MOUNT LEVELER, MILL
3	1	SNAPRACK, RL UNIVERSAL, MOUNT BOTTOM, MILL
4	1	SNAPRACK, RL UNIVERSAL, MOUNT SPRING, SS
5	1	SNAPRACK, RL UNIVERSAL, MOUNT TOP, BLACK
6	1	SNAPRACK, RL UNIVERSAL, BONDING CLIP
7	1	BOLT, FLANGE, SERRATED, 3/8IN-16 X 2-3/4IN, 1/2IN TRIM HEAD, 1.2IN THREAD, BLACK, SS
8	1	BOLT, FLANGE, SERRATED, 5/16IN-18 X 7/8IN, SS
9	1	NUT, FULL HEX, 5/16IN-18, FLAT, SS
10	1	SNAPRACK, RL UNIVERSAL, RIDGE MOUNT TRACK, 7-1/2IN, MILL
11	1	BOLT, FLANGE, SERRATED, 5/16IN-18 X 1-3/4IN, SS

MATERIALS: 6000 SERIES ALUMINUM, STAINLESS STEEL

DESIGN LOAD (LBS): 311 UP, 337 DOWN, 252 SIDE

ULTIMATE LOAD (LBS): N/A

TORQUE SPECIFICATION: 12 FT-LBS

CERTIFICATION: UL 2703, FILE E359313

WEIGHT (LBS): 2.36

DESCRIPTION:
SNAPRACK, TDS, RL UNIVERSAL, RIDGE
MOUNT

DOC NUMBER:
SNR-DC-01380

SnapNrack®

PART NUMBER(S):

242-02157

DRAWN BY:
H.WULFEKOETTER

REV: **B** DATE:
1/24/2023

SUNRUN INSTALLATION SERVICES INC.

225 BUSH STREET, SUITE 1400 • SAN FRANCISCO, CA 94104 USA
PHONE (877) 732-2860 • CONTACT@SNAPNRACK.COM

THE INFORMATION IN THIS DRAWING IS CONFIDENTIAL AND PROPRIETARY. ANY
REPRODUCTION, DISCLOSURE, OR USE THEREOF IS PROHIBITED WITHOUT THE
WRITTEN CONSENT OF SUNRUN SOUTH LLC.

UNITS: IN, LB, DEG [MM, KG, DEG]

SHEET: 2:2

