

DESCRIPTION:  
**SNR-DC-01376 SNAPNRACK, TDS, ULTRA RAIL  
 STANDOFF KITS**

PART NUMBER(S):  
**242-92106, 242-92107, 242-92108, 242-92109**

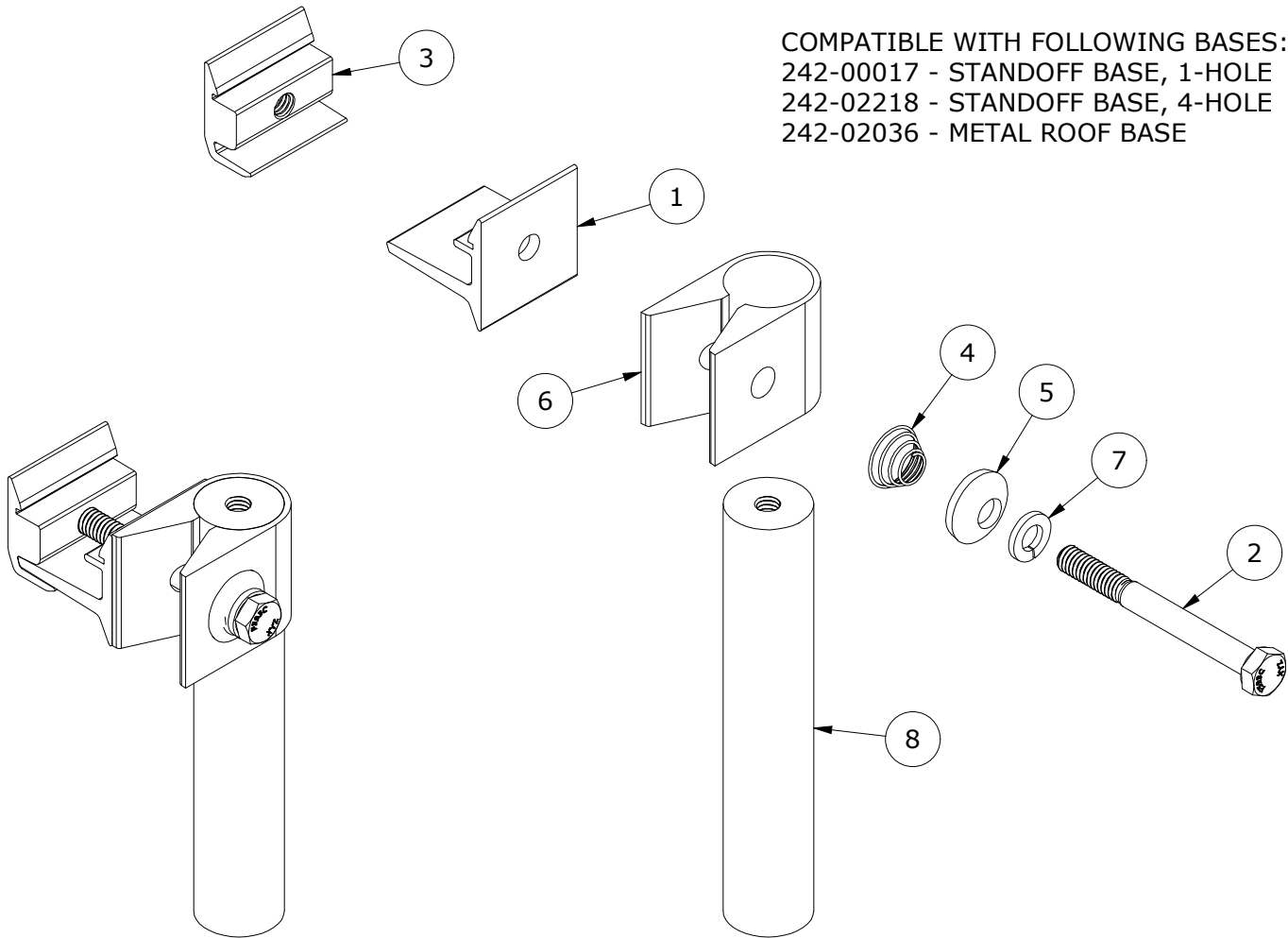
DRAWN BY:  
 mwatkins

REVISION:  
**A**

**SnapNrack™**  
**Solar Mounting Solutions**

595 MARKET STREET, 29TH FLOOR • SAN FRANCISCO, CA 94105 USA  
 PHONE (415) 580-6900 • FAX (415) 580-6902

THE INFORMATION IN THIS DRAWING IS CONFIDENTIAL AND PROPRIETARY. ANY REPRODUCTION, DISCLOSURE, OR USE THEREOF IS PROHIBITED WITHOUT THE WRITTEN CONSENT OF SUNRUN SOUTH LLC.



**COMPATIBLE WITH FOLLOWING BASES:**  
 242-00017 - STANDOFF BASE, 1-HOLE  
 242-02218 - STANDOFF BASE, 4-HOLE  
 242-02036 - METAL ROOF BASE

| PARTS LIST |     |   |
|------------|-----|---|
| ITEM       | QTY | DESCRIPTION                                       |
| 1          | 1   | SNAPNRACK, ULTRA RAIL MOUNT THRU PRC, CLEAR       |
| 2          | 1   | 5/16IN-18 X 3IN SS HCS BOLT                       |
| 3          | 1   | SNAPNRACK, ULTRA RAIL MOUNT TAPPED PRC, CLEAR     |
| 4          | 1   | SNAPNRACK, ULTRA RAIL MOUNT SPRING                |
| 5          | 1   | SNAPNRACK, ULTRA RAIL MOUNT SPRING CAGE           |
| 6          | 1   | SNAPNRACK STANDOFF CLAMP CLEAR                    |
| 7          | 1   | 5/16IN SS SPLIT LOCK WASHER                       |
| 8          | 1   | SNAPNRACK STANDOFF SHAFT, STANDARD, LENGTH VARIES |

|                       |                                       |                        |
|-----------------------|---------------------------------------|------------------------|
| MATERIALS:            | 6000 SERIES ALUMINUM, STAINLESS STEEL | OPTIONS:               |
| DESIGN LOAD (LBS):    | SEE DATASHEET FOR STANDOFF BASE       | 5.5", 7", 8.5" LENGTHS |
| ULTIMATE LOAD (LBS):  | SEE DATASHEET FOR STANDOFF BASE       |                        |
| TORQUE SPECIFICATION: | 12 LB-FT                              |                        |
| CERTIFICATION:        | UL 2703, FILE E359313                 |                        |
| WEIGHT (LBS):         | 0.72 - 0.93                           |                        |

DESCRIPTION:

SNR-DC-01376 SNAPRACK, TDS, ULTRA RAIL  
STANDOFF KITS

DRAWN BY:

mwatkins

REVISION:

A

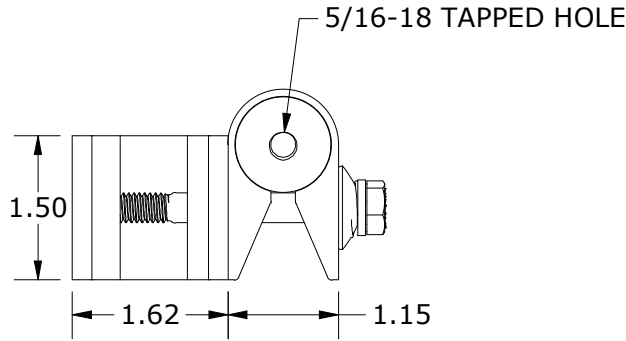
SnapNrack™  
Solar Mounting Solutions

PART NUMBER(S):

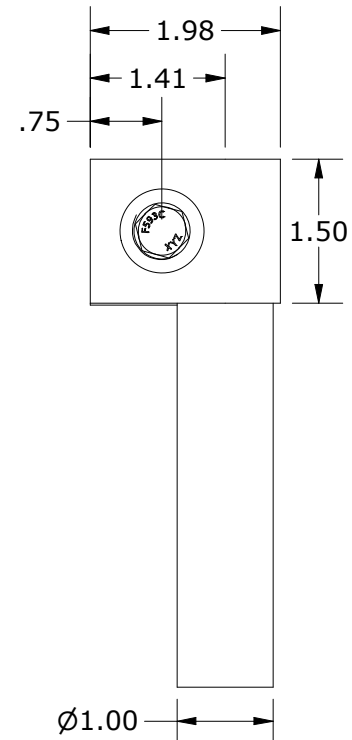
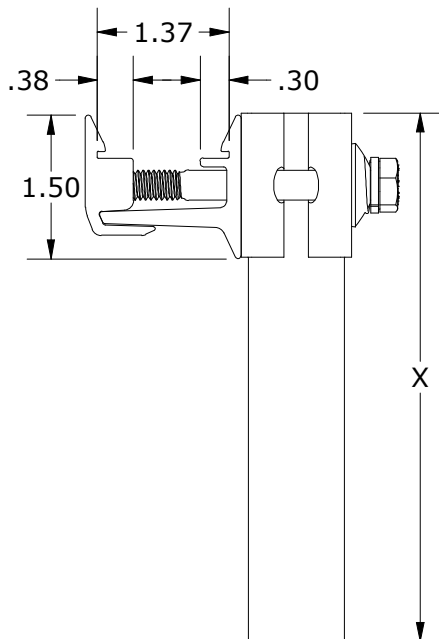
242-92106, 242-92107, 242-92108, 242-92109

595 MARKET STREET, 29TH FLOOR • SAN FRANCISCO, CA 94105 USA  
PHONE (415) 580-6900 • FAX (415) 580-6902

THE INFORMATION IN THIS DRAWING IS CONFIDENTIAL AND PROPRIETARY. ANY  
REPRODUCTION, DISCLOSURE, OR USE THEREOF IS PROHIBITED WITHOUT THE  
WRITTEN CONSENT OF SUNRUN SOUTH LLC.



| STANDOFF PROPERTIES |                     |
|---------------------|---------------------|
| SKU                 | STANDOFF LENGTH (X) |
| 242-01257           | 5.5"                |
| 242-01258           | 7"                  |
| 242-01259           | 8.5"                |



ALL DIMENSIONS IN INCHES