

DESCRIPTION:
**SNR-DC-01377 SNAPRACK, TDS, 4-HOLE
 STANDOFF BASE**

PART NUMBER(S):
242-02218

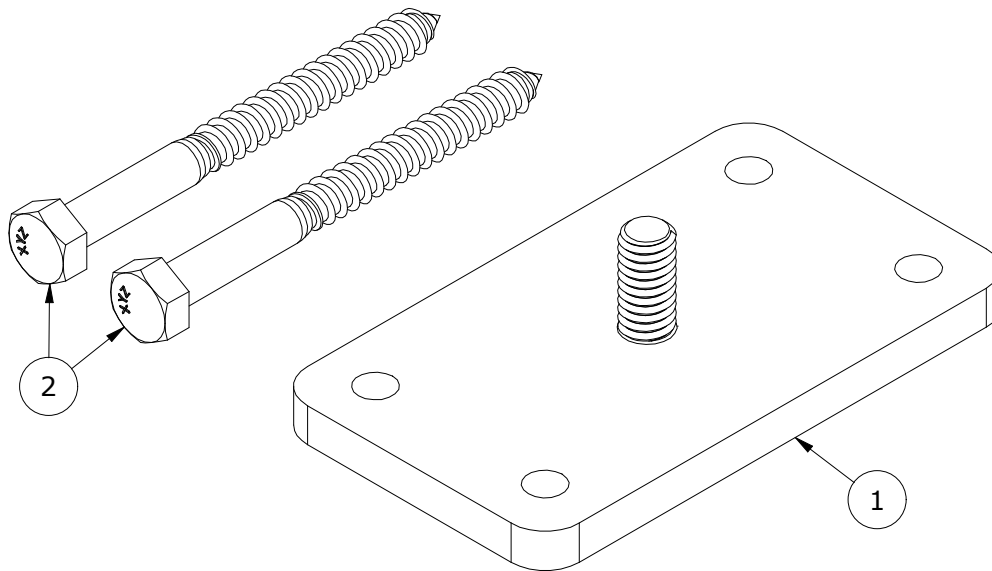
DRAWN BY:
 mwatkins

REVISION:
A

SnapNrack™
Solar Mounting Solutions

595 MARKET STREET, 29TH FLOOR • SAN FRANCISCO, CA 94105 USA
 PHONE (415) 580-6900 • FAX (415) 580-6902

THE INFORMATION IN THIS DRAWING IS CONFIDENTIAL AND PROPRIETARY. ANY REPRODUCTION, DISCLOSURE, OR USE THEREOF IS PROHIBITED WITHOUT THE WRITTEN CONSENT OF SUNRUN SOUTH LLC.



PARTS LIST		
ITEM	QTY	DESCRIPTION
1	1	SNAPNRACK, STANDOFF BASE, 4-HOLE, MILL
2	2	SCREW, LAG, 1/4IN X 3IN, HEX, SS

MATERIALS:	6000 SERIES ALUMINUM, STAINLESS STEEL
DESIGN LOAD (LBS):	405 UP, 788 DOWN, 136 (7", 8.5") OR 213 (5.5") SIDE
ULTIMATE LOAD (LBS):	1161 UP, 1610 DOWN, 795 SIDE
TORQUE SPECIFICATION:	N/A LB-FT
CERTIFICATION:	UL 2703, FILE E359313
WEIGHT (LBS):	0.52

DESCRIPTION:
SNR-DC-01377 SNAPRACK, TDS, 4-HOLE
STANDOFF BASE

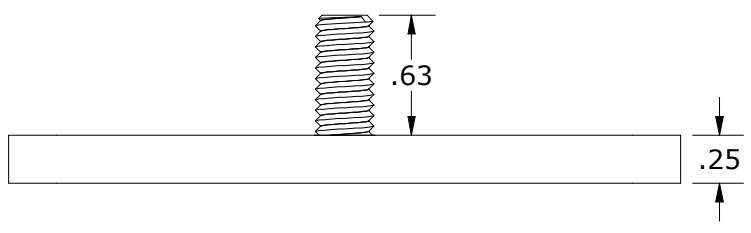
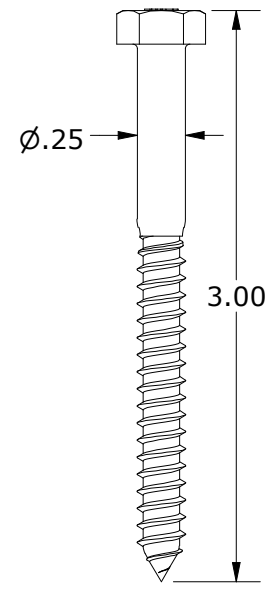
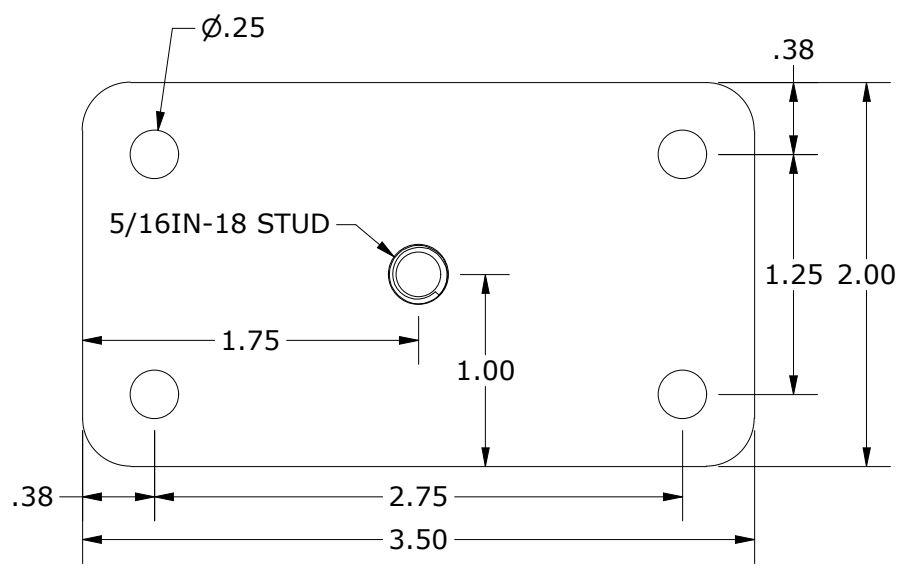
DRAWN BY:
mwatkins



PART NUMBER(S):
242-02218

REVISION:
A

595 MARKET STREET, 29TH FLOOR • SAN FRANCISCO, CA 94105 USA
PHONE (415) 580-6900 • FAX (415) 580-6902
THE INFORMATION IN THIS DRAWING IS CONFIDENTIAL AND PROPRIETARY. ANY REPRODUCTION, DISCLOSURE, OR USE THEREOF IS PROHIBITED WITHOUT THE WRITTEN CONSENT OF SUNRUN SOUTH LLC.



ALL DIMENSIONS IN INCHES