

DESCRIPTION:  
**SNR-DC-01378 SNAPRACK, TDS, 1-HOLE  
 STANDOFF BASE**

PART NUMBER(S):  
**242-02218**

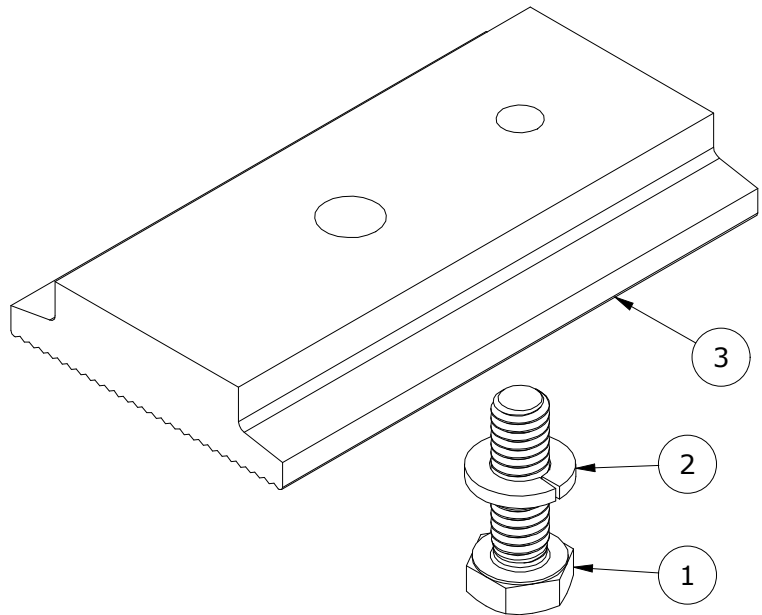
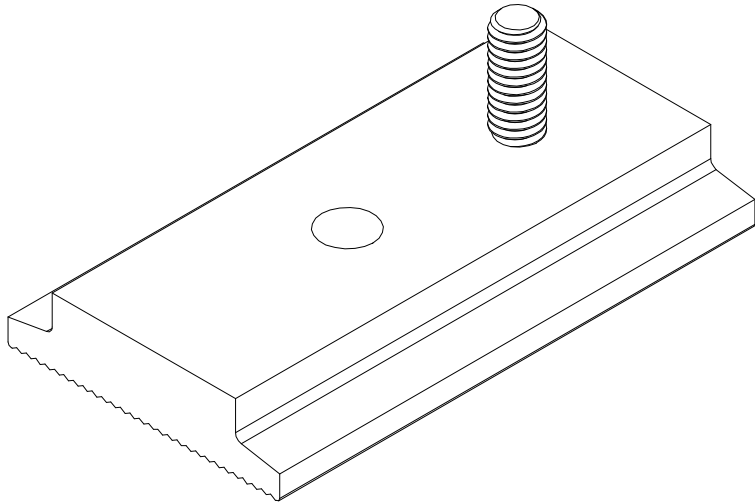
DRAWN BY:  
 mwatkins

REVISION:  
**A**

**SnapNrack™**  
**Solar Mounting Solutions**

595 MARKET STREET, 29TH FLOOR • SAN FRANCISCO, CA 94105 USA  
 PHONE (415) 580-6900 • FAX (415) 580-6902

THE INFORMATION IN THIS DRAWING IS CONFIDENTIAL AND PROPRIETARY. ANY REPRODUCTION, DISCLOSURE, OR USE THEREOF IS PROHIBITED WITHOUT THE WRITTEN CONSENT OF SUNRUN SOUTH LLC.



PARTS LIST		
ITEM	QTY	DESCRIPTION
1	1	5/16IN-18 X 1IN SS HCS BOLT
2	1	5/16IN SS SPLIT LOCK WASHER
3	1	SNAPRACK, STANDOFF BASE PRC, 1-HOLE, MILL

MATERIALS:	6000 SERIES ALUMINUM, STAINLESS STEEL
DESIGN LOAD (LBS):	405 UP, 788 DOWN, 213 SIDE
ULTIMATE LOAD (LBS):	1161 UP, 1610 DOWN, 795 SIDE
TORQUE SPECIFICATION:	N/A LB-FT
CERTIFICATION:	UL 2703, FILE E359313
WEIGHT (LBS):	0.28

DESCRIPTION:  
SNR-DC-01378 SNAPRACK, TDS, 1-HOLE  
STANDOFF BASE

DRAWN BY:  
mwatkins  
REVISION:

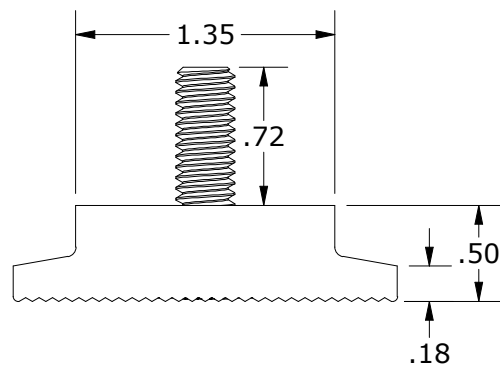
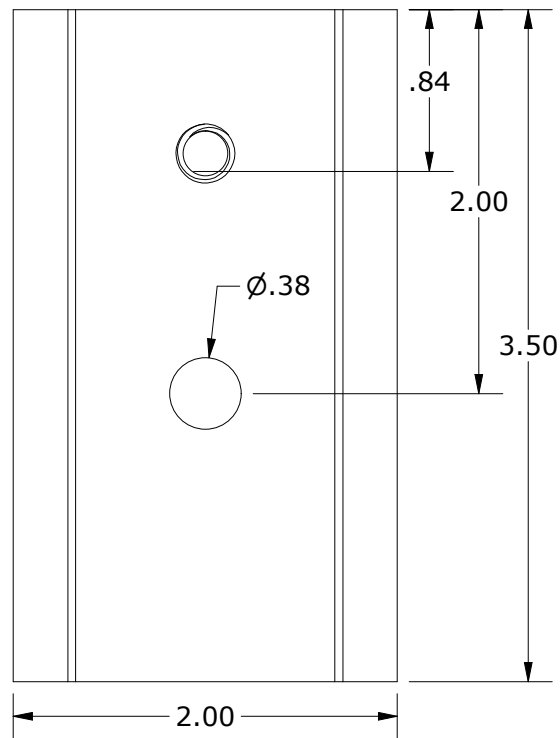


PART NUMBER(S):  
242-02218

**A**

595 MARKET STREET, 29TH FLOOR • SAN FRANCISCO, CA 94105 USA  
PHONE (415) 580-6900 • FAX (415) 580-6902

THE INFORMATION IN THIS DRAWING IS CONFIDENTIAL AND PROPRIETARY. ANY REPRODUCTION, DISCLOSURE, OR USE THEREOF IS PROHIBITED WITHOUT THE WRITTEN CONSENT OF SUNRUN SOUTH LLC.



ALL DIMENSIONS IN INCHES