

DESCRIPTION:
SNAPNRACK, RL UNIVERSAL, SPEEDSEAL™ MOUNT KIT

DRAWN BY:

mwatkins

REVISION:

A

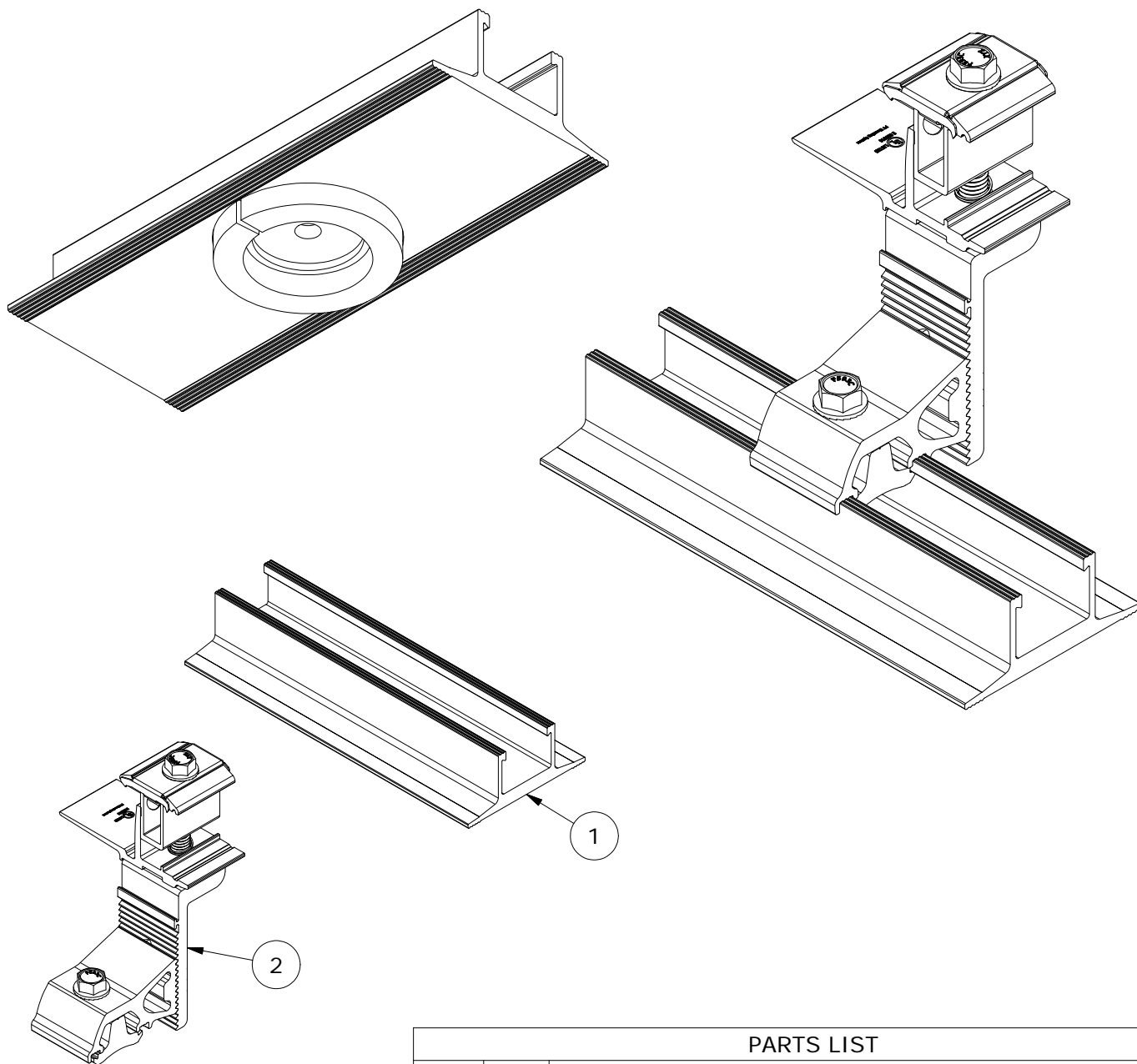
SnapNrack™
Solar Mounting Solutions

PART NUMBER(S):

242-92642

595 MARKET STREET, 29TH FLOOR • SAN FRANCISCO, CA 94105 USA
 PHONE (415) 580-6900 • FAX (415) 580-6902

THE INFORMATION IN THIS DRAWING IS CONFIDENTIAL AND PROPRIETARY. ANY REPRODUCTION, DISCLOSURE, OR USE THEREOF IS PROHIBITED WITHOUT THE WRITTEN CONSENT OF SUNRUN SOUTH LLC.



PARTS LIST

ITEM	QTY	DESCRIPTION
1	1	SNAPNRACK, SPEEDSEAL TRACK, 7-1/2IN, SEALING, MILL
2	1	SNAPNRACK, RL UNIVERSAL, MOUNT

MATERIALS:

6000 SERIES ALUMINUM, STAINLESS STEEL, FOAM

DESIGN LOAD (LBS):

623 UP, 674 DOWN, 505 SIDE

ULTIMATE LOAD (LBS):

N/A

TORQUE SPECIFICATION:

12 LB-FT

CERTIFICATION:

UL 2703, FILE E359313; WIND-DRIVEN RAIN TEST FROM UL SUBJECT 2582

WEIGHT (LBS):

1.39

DESCRIPTION:
SNAPNRACK, RL UNIVERSAL, SPEEDSEAL™ MOUNT
KIT

DRAWN BY:

mwatkins

REVISION:

A

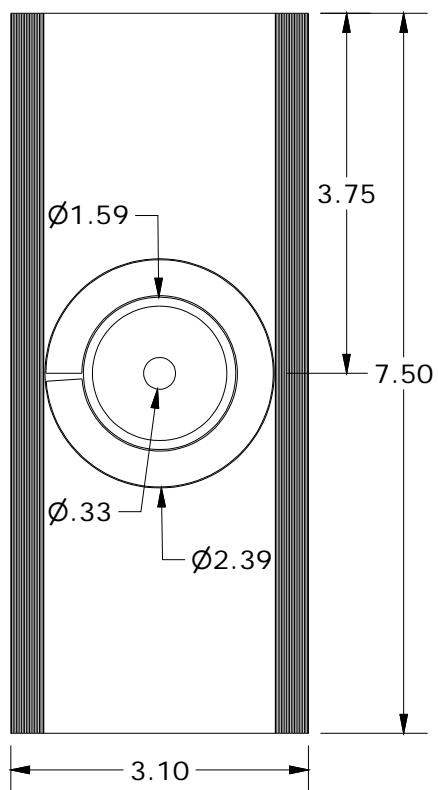
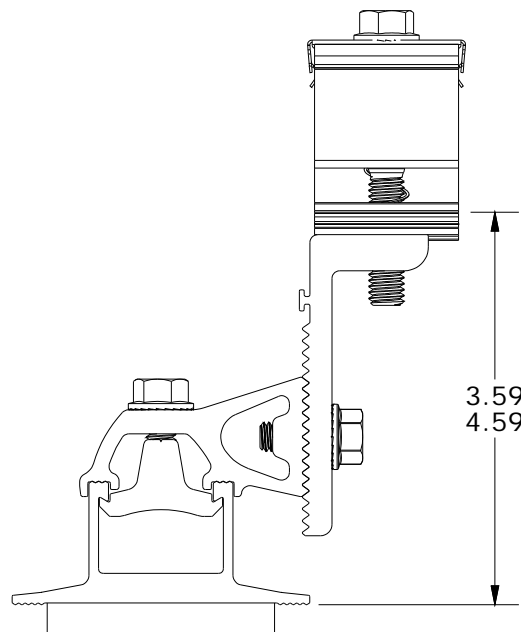
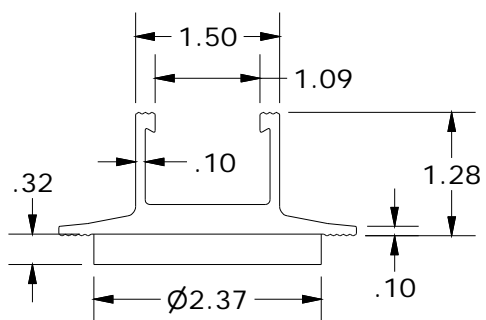
SnapNrack™
Solar Mounting Solutions

PART NUMBER(S):

242-92642

595 MARKET STREET, 29TH FLOOR • SAN FRANCISCO, CA 94105 USA
PHONE (415) 580-6900 • FAX (415) 580-6902

THE INFORMATION IN THIS DRAWING IS CONFIDENTIAL AND PROPRIETARY. ANY
REPRODUCTION, DISCLOSURE, OR USE THEREOF IS PROHIBITED WITHOUT THE
WRITTEN CONSENT OF SUNRUN SOUTH LLC.



ALL DIMENSIONS IN INCHES