

DESCRIPTION:
SNAPRACK, RL UNIVERSAL, SPEEDSEAL™ TRACK

DRAWN BY:

D.Ryan

SnapNrack™
Solar Mounting Solutions

PART NUMBER(S):

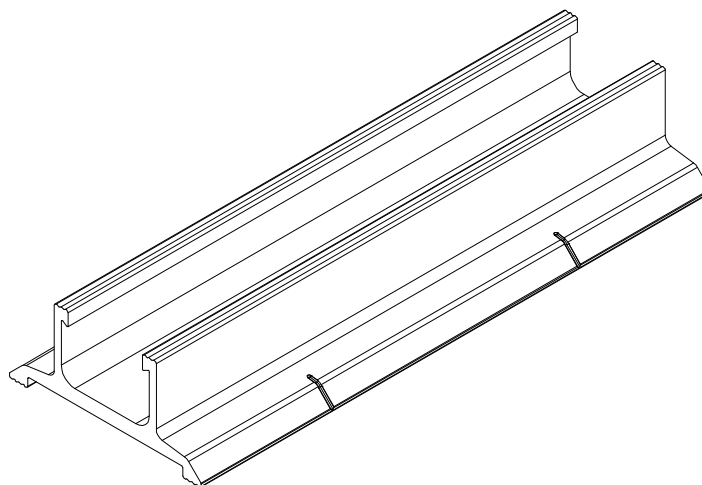
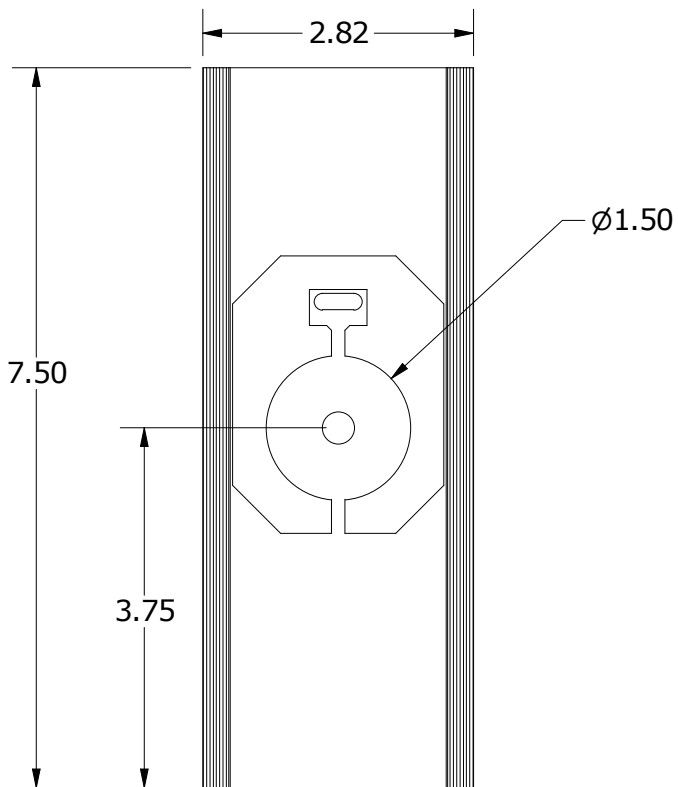
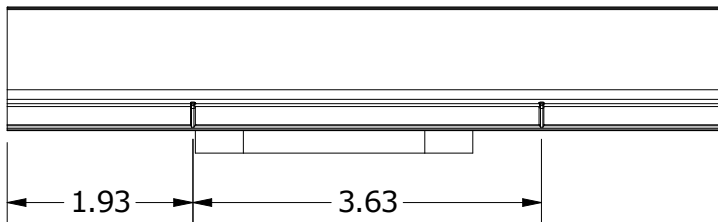
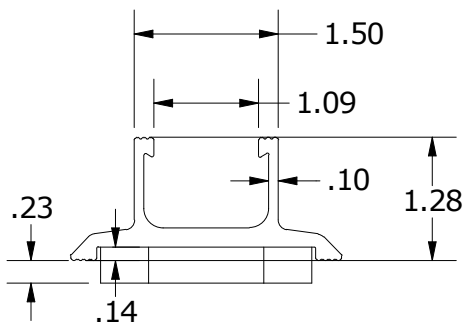
232-01464

REVISION:

A

595 MARKET STREET, 29TH FLOOR • SAN FRANCISCO, CA 94105 USA
 PHONE (415) 580-6900 • FAX (415) 580-6902

THE INFORMATION IN THIS DRAWING IS CONFIDENTIAL AND PROPRIETARY. ANY REPRODUCTION, DISCLOSURE, OR USE THEREOF IS PROHIBITED WITHOUT THE WRITTEN CONSENT OF SUNRUN SOUTH LLC.



| | |
|-----------------------|------------------------------------------------------------------|
| MATERIALS: | 6000 SERIES ALUMINUM, FOAM RUBBER |
| DESIGN LOAD (LBS): | 623 UP, 674 DOWN, 505 SIDE |
| ULTIMATE LOAD (LBS): | N/A |
| TORQUE SPECIFICATION: | N/A |
| CERTIFICATION: | UL2703, FILE E359313; WIND-DRIVEN RAIN TEST FROM UL SUBJECT 2582 |
| WEIGHT (LBS): | 0.565 |