

SNAPRACK UR-40 RAIL, SPLICE, AND MOUNTING HARDWARE DETAILS

TORQUE ALL FASTENERS TO THE SPECIFIED VALUES PRIOR TO INSTALLING PV MODULES. REFER TO SNAPRACK INSTALLATION MANUAL FOR $\frac{5}{16}$ "Ø HARDWARE TORQUE SPECIFICATIONS

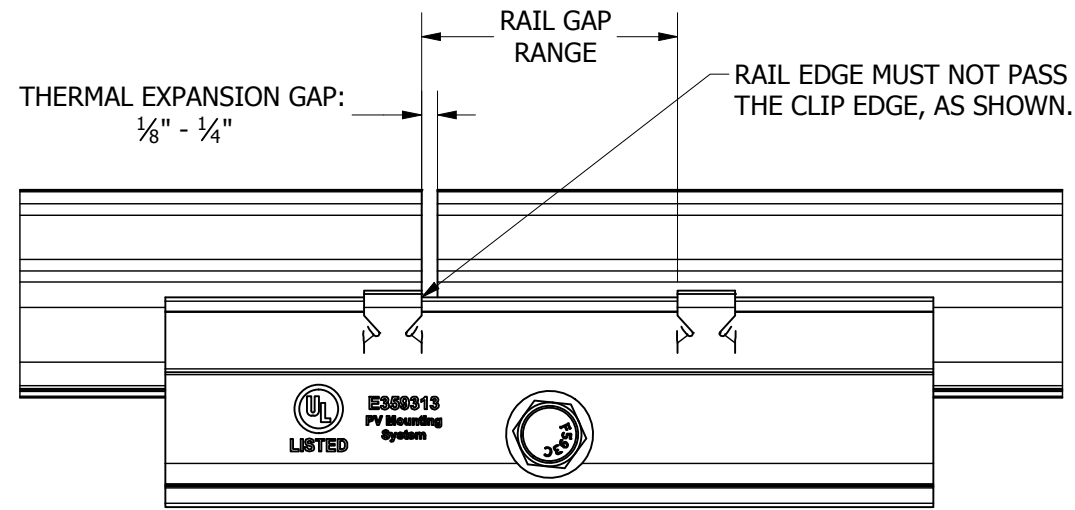
SPLICE POSITIONING:

- APPROVED - ANYWHERE ALONG RAIL SPAN BETWEEN **TWO** ROOF ATTACHMENTS
- NOT APPROVED - RAIL OVERHANGS / CANTILEVERS

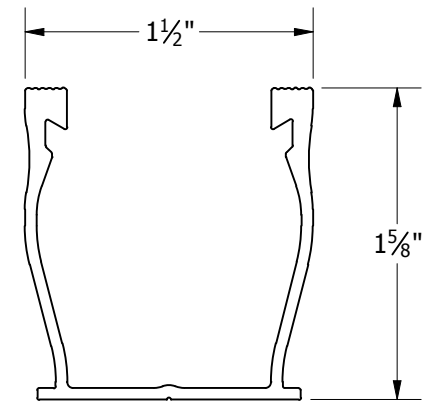
USE OF THE UR-40 SPLICE WITH THE UR-60 RAIL IS **PROHIBITED**

BIN:
N/A

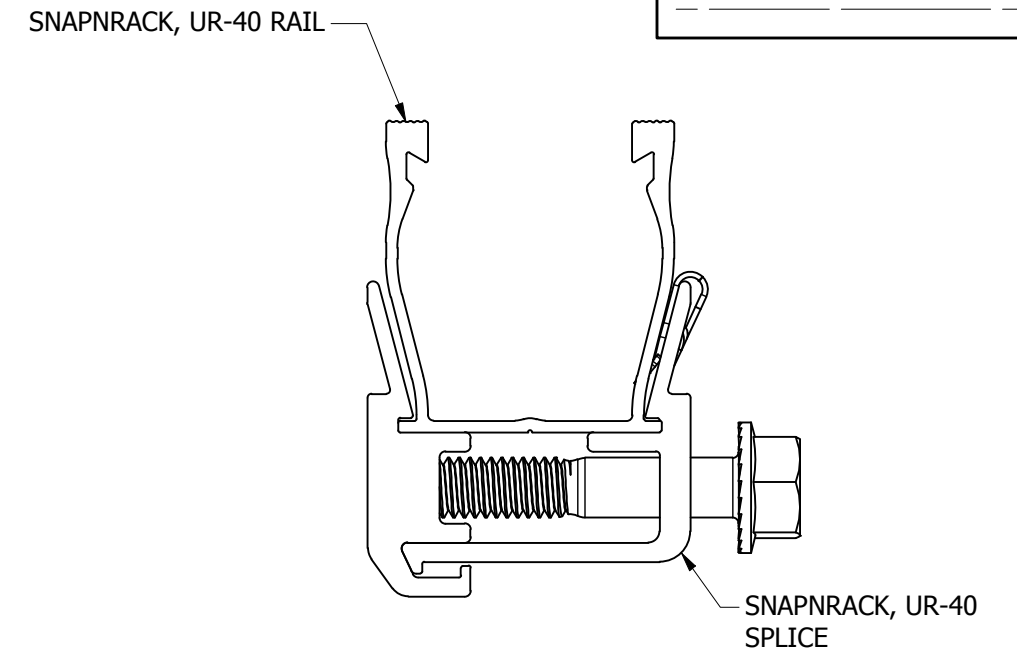
REVISION:			
1	5/7/2019	NEW DETAIL	MJA
2	7/8/2020	CONFIGS	MJA



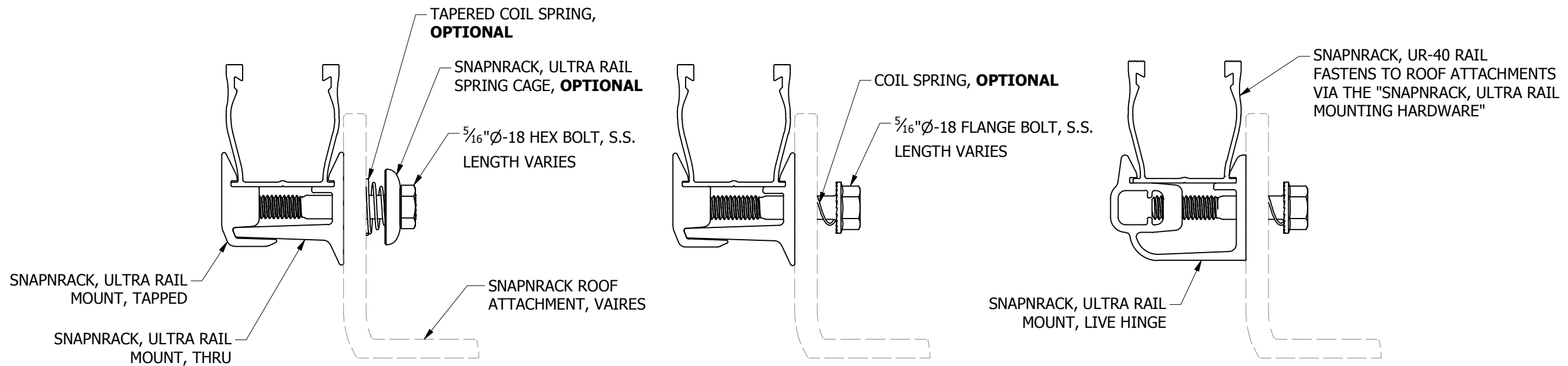
SPLICE ALIGNMENT LIMITS



SNAPRACK, UR-40 RAIL



SNAPRACK, UR-40 SPLICE INSTALLED



INTERCHANGEABLE CONFIGURATIONS: SNAPRACK ULTRA RAIL MOUNTING HARDWARE