

OVERVIEW OF THE SNAPNRACK ULTRA RAIL SYSTEM INSTALLED ON A TYPICAL ROOF, WITH THREE-RAIL CONFIGURATION

REFER TO SPECIFIC "ATTACHMENT DETAIL" FOR DETAILS ON ATTACHING AND WATERPROOFING THE VARIOUS SNAPNRACK ROOF ATTACHMENT PRODUCTS

REFER TO SPECIFIC "COMPONENT DETAIL" FOR DETAILS ON VARIOUS SNAPNRACK ACCESSORY AND COMPONENT PRODUCTS

BOTH THE SNAPNRACK, UNIVERSAL END CLAMP AND SNAPNRACK, ADJUSTABLE END CLAMP CAN BE USED ON END MODULES

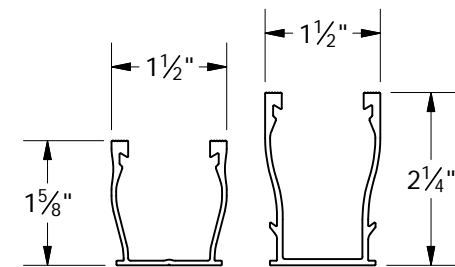
MODULES MAY BE CLAMPED ON SHORT OR LONG SIDE PER MODULE MANUFACTURER REQUIREMENTS

RAILS MAY BE MOUNTED UP/DOWN OR ACROSS THE SLOPE OF THE ROOF

REFER TO SNAPNRACK INSTALLATION MANUAL FOR $\frac{5}{16}$ " Ø HARDWARE TORQUE SPECIFICATIONS

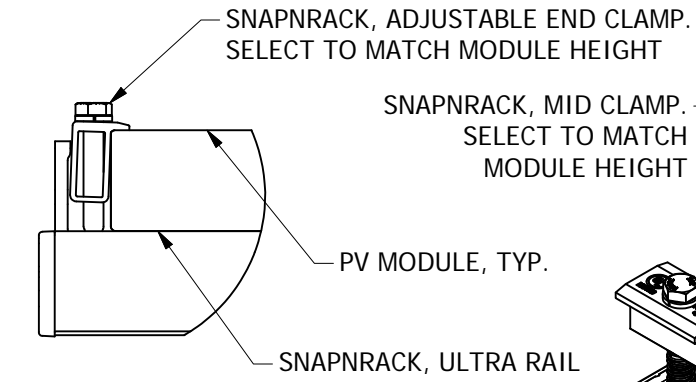
SNAPNRACK, ADJUSTABLE END CLAMP. SELECT TO MATCH MODULE HEIGHT

PV MODULE, TYP.

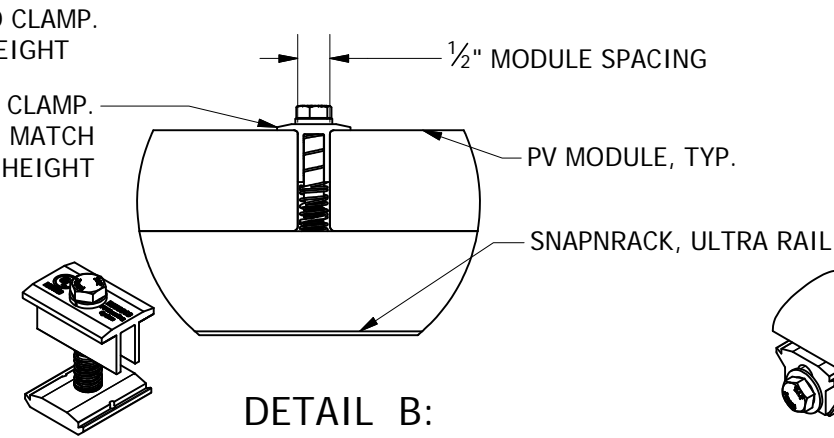


UR-40 RAIL | UR-60 RAIL

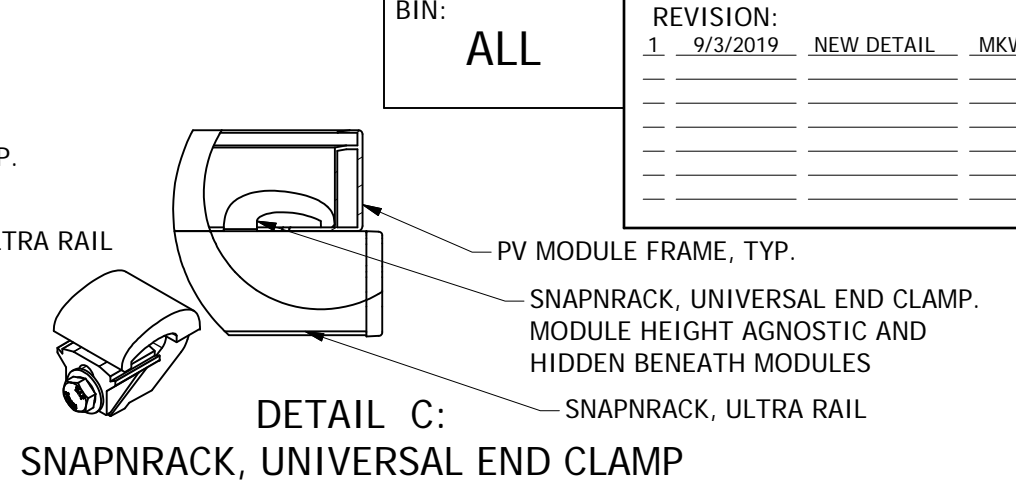
FOR USE WITH SNAPNRACK ULTRA SERIES RAILS



DETAIL A:
SNAPNRACK, ADJUSTABLE END CLAMP



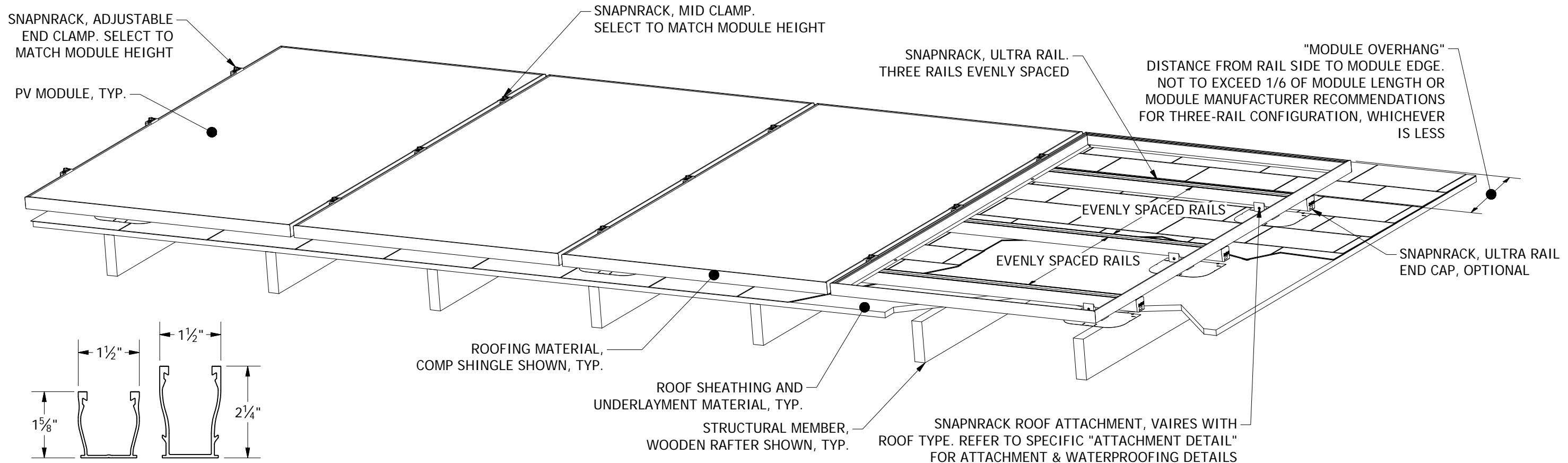
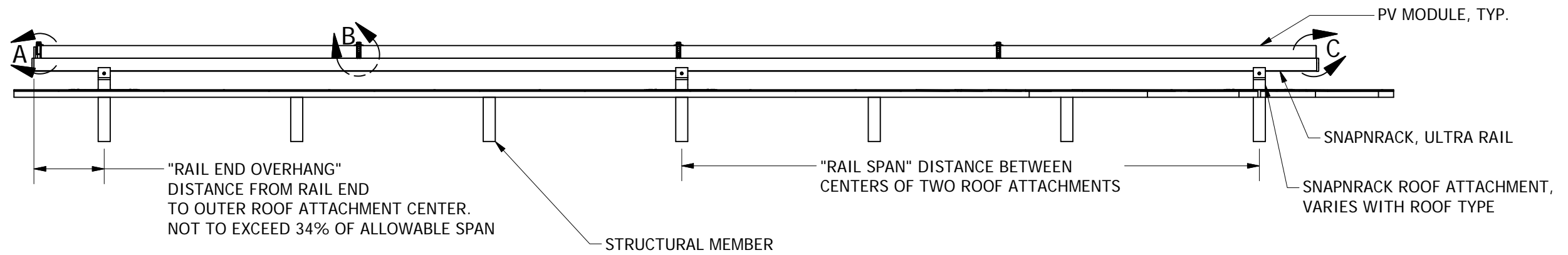
DETAIL B:
SNAPNRACK, MID CLAMP



DETAIL C:
SNAPNRACK, UNIVERSAL END CLAMP

BIN:
ALL

REVISION:	DATE	DESCRIPTION	BY
1	9/3/2019	NEW DETAIL	MKW



Sunrun South LLC
595 MARKET STREET, 29TH FLOOR • SAN FRANCISCO, CA 94105 USA
PHONE (415) 580-6900 • FAX (415) 580-6902
THE INFORMATION IN THIS DRAWING IS CONFIDENTIAL AND PROPRIETARY. ANY REPRODUCTION, DISCLOSURE, OR USE THEREOF IS PROHIBITED WITHOUT THE WRITTEN CONSENT OF SUNRUN SOUTH LLC.

DESIGNER: M.AFFENTRANGER
DRAFTER: M.WATKINS
APPROVED BY: M.AFFENTRANGER

SCALE: DNS
DATE: 9/3/2019

DRAWING NUMBER:
SNR-DC-00362

DESCRIPTION:
ULTRA RAIL, SYSTEM OVERVIEW, 3-RAIL

REV
1