

**SNAPRACK RL UNIVERSAL SPEEDSEAL TRACK COMPOSITION
ROOF MOUNTING**

EMBED $\phi 5/16$ " LAG SCREW 2-1/2" INTO THE ROOF
STRUCTURAL MEMBER / RAFTER

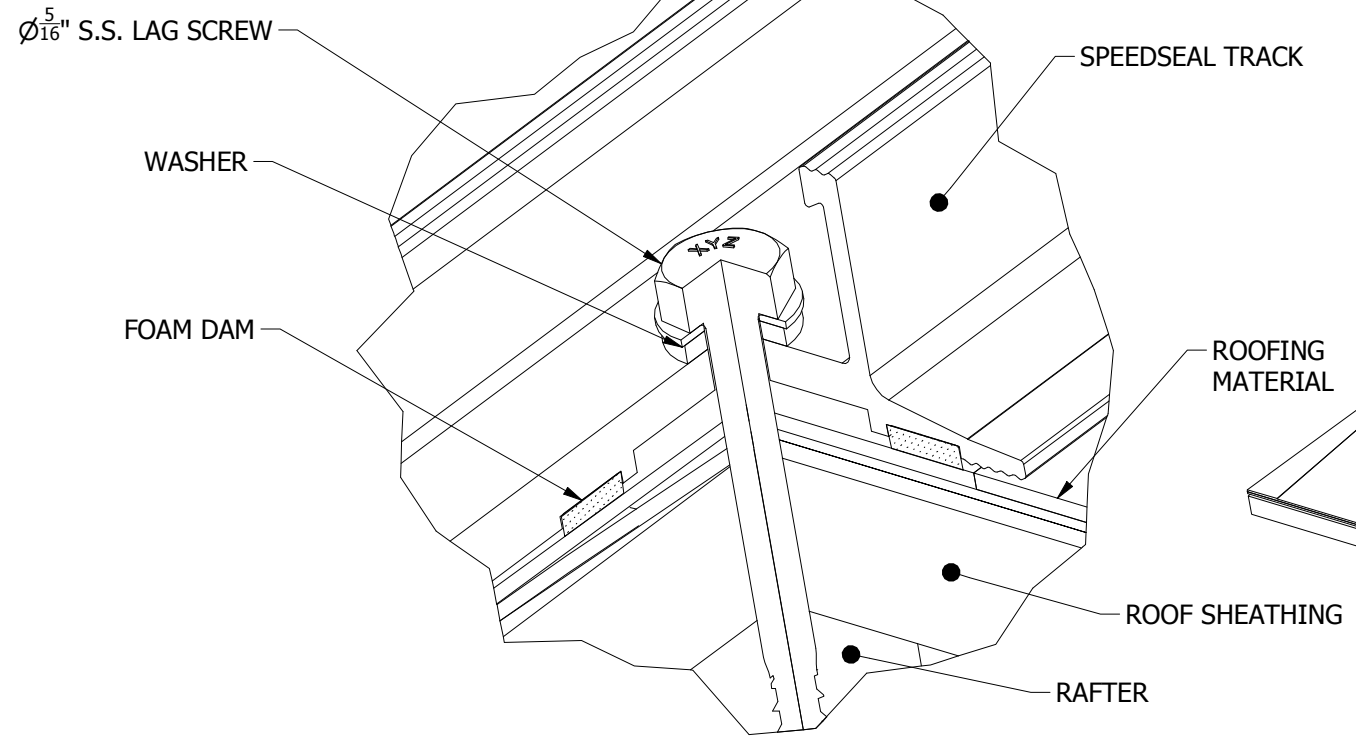
FOR TORQUE SPECIFICATIONS SEE INSTALLATION MANUAL

MINIMUM WOOD GRADE OF STRUCTURAL MEMBER = SPF#2
MINIMUM SPECIFIC GRAVITY = 0.42

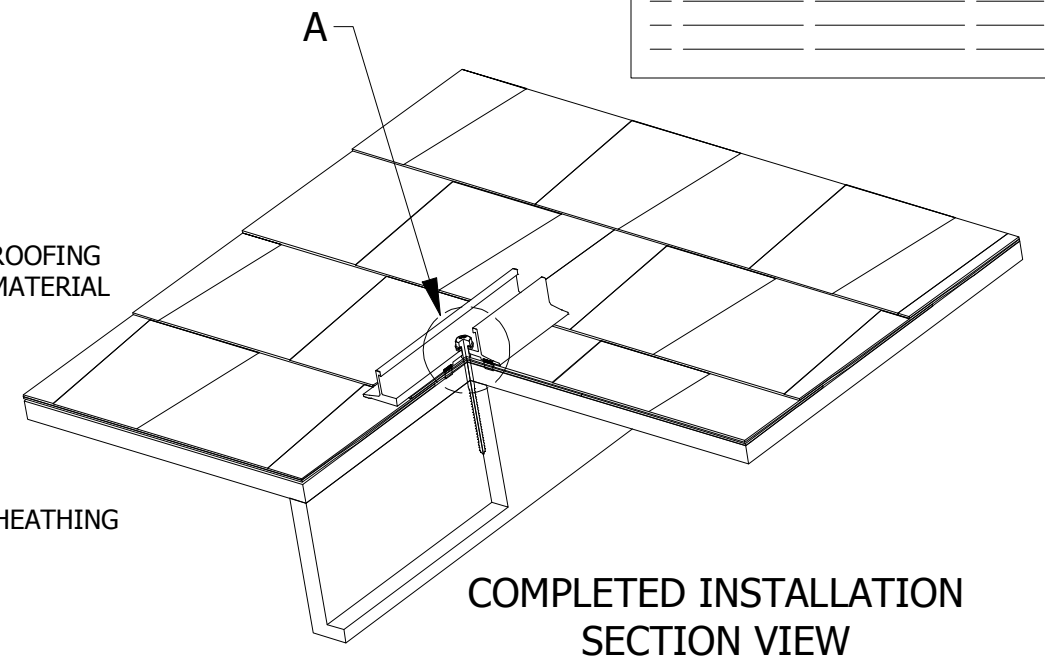
ALLOWABLE FASTENER UPLIFT = 820 LBS
ALLOWABLE FASTENER LATERAL = 250 LBS

MINIMUM FASTENER EDGE DISTANCE = 0.5"
MINIMUM FASTENER END DISTANCE = 2.2"

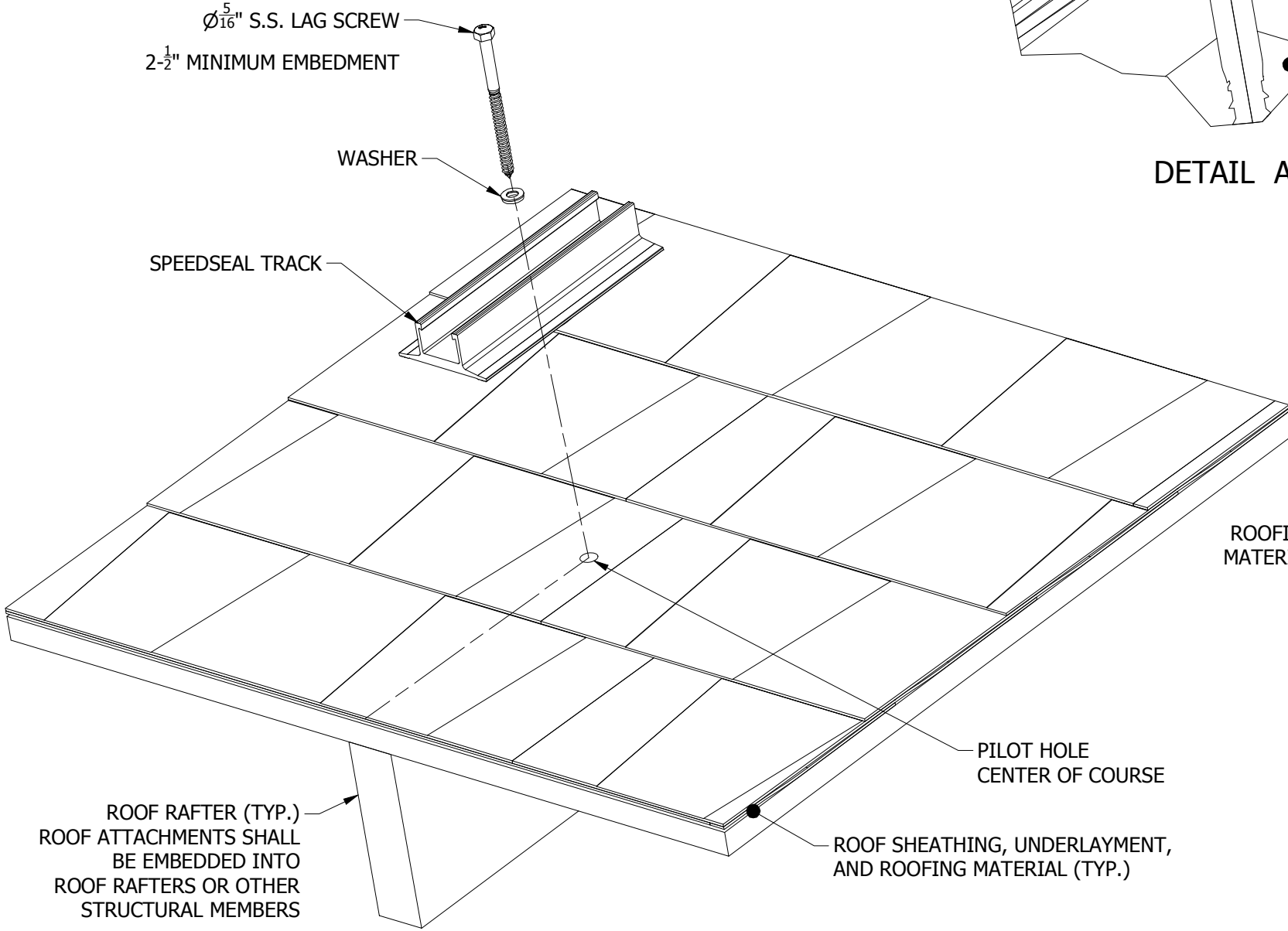
REVISION:			
1	11/11/2019	NEW DETAIL	BDP
2	7/7/2020	NU001109	DR
3	10/2/2020	AHJ UPDATE	DR



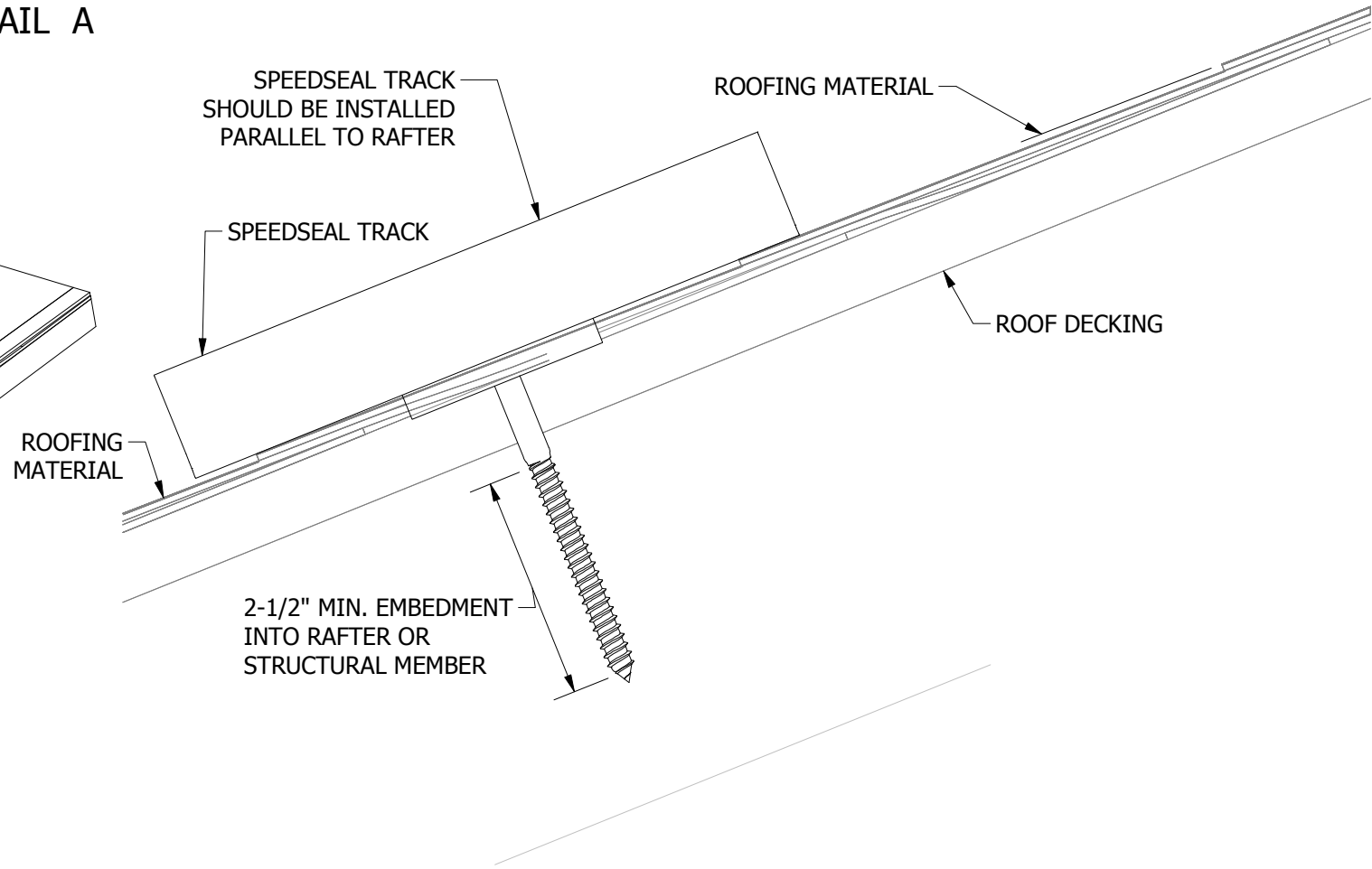
DETAIL A



**COMPLETED INSTALLATION
SECTION VIEW**



COMPLETED INSTALLATION



Sunrun South LLC
595 MARKET STREET, 29TH FLOOR • SAN FRANCISCO, CA 94105 USA
PHONE (415) 580-6900 • FAX (415) 580-6902
THE INFORMATION IN THIS DRAWING IS CONFIDENTIAL AND PROPRIETARY. ANY REPRODUCTION, DISCLOSURE, OR USE THEREOF IS PROHIBITED WITHOUT THE WRITTEN CONSENT OF SUNRUN SOUTH LLC.

DESIGNER: D.RYAN
DRAFTER: B.PETERSON
APPROVED BY: W.ARBUCKLE

SCALE: NTS
DATE: 10/2/2020

DRAWING NUMBER:
SNR-DC-00436

DESCRIPTION:
RL UNIVERSAL, ATTACHMENT DETAIL,
SPEEDSEAL TRACK ON COMP

REV: **3**