

SNAPNRACK ADJUSTABLE TILE HOOK FOR USE WITH SNAPNRACK ULTRA RAIL

TILE ROOF MOUNT ASSEMBLY MAY BE USED FOR S, W, AND FLAT TILE PROFILE ROOFS

REFER TO SNAPNRACK ENGINEERING CHARTS FOR APPLICABLE RAIL SPANS. "BIN" NUMBER ON CHART SHOULD MATCH "BIN" NUMBER ON THIS DRAWING

$\frac{5}{16}$ " \varnothing S.S. LAG SCREWS MUST EMBED A MIN. OF $2\frac{1}{2}$ " INTO STRUCTURAL MEMBER

REFER TO SNAPNRACK INSTALLATION MANUAL FOR $\frac{5}{16}$ " \varnothing HARDWARE TORQUE SPECIFICATIONS UNLESS STATED OTHERWISE

RAIL MUST MOUNT TO THE UPSLOPE SIDE OF THE TILE HOOK

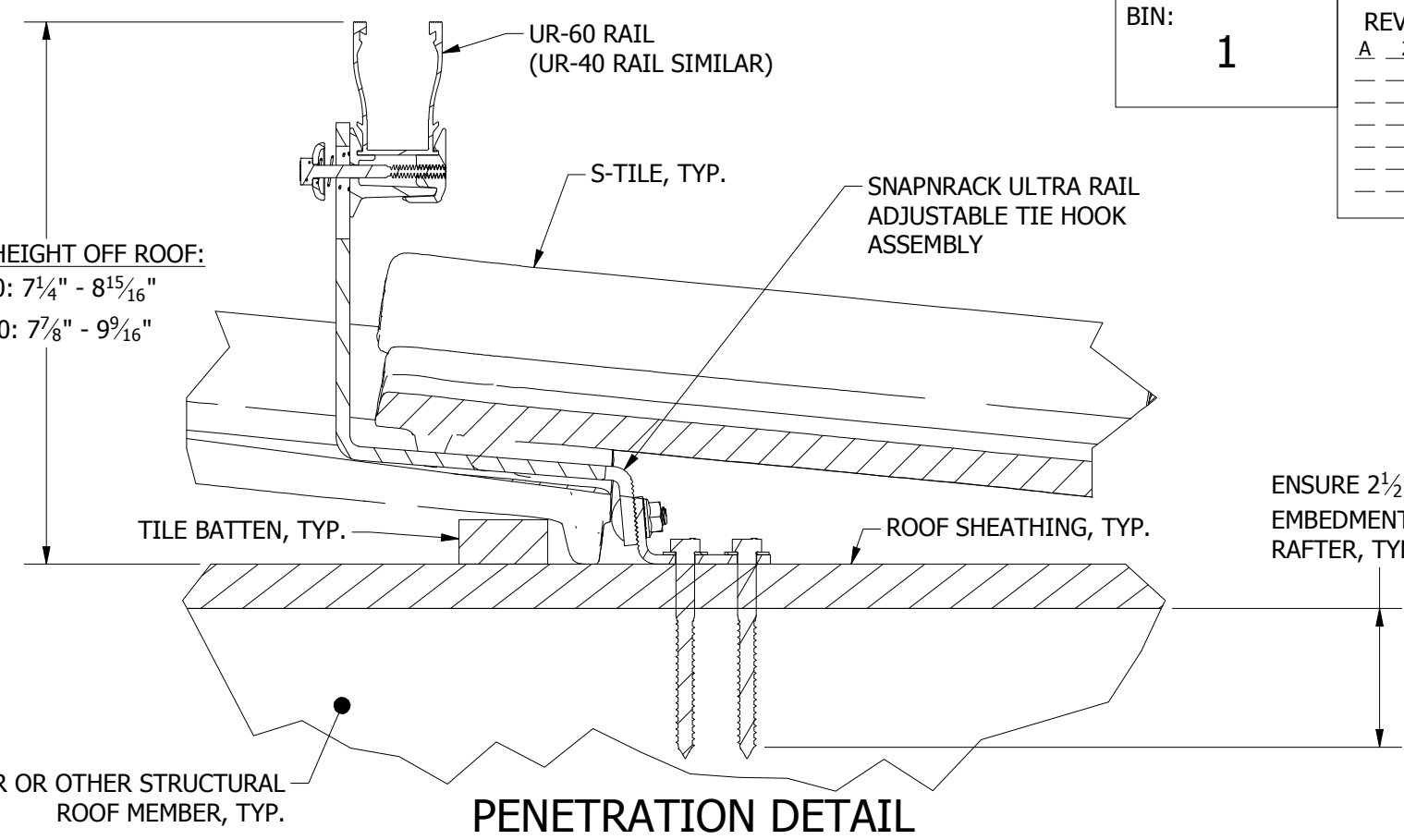
RAILS CAN BE LEVELED UP TO $1\frac{1}{4}$ " USING THE SLOT IN THE TILE HOOK

TILE HOOK ARM CAN BE LEVELED $\frac{7}{16}$ " RELATIVE TO THE BASE

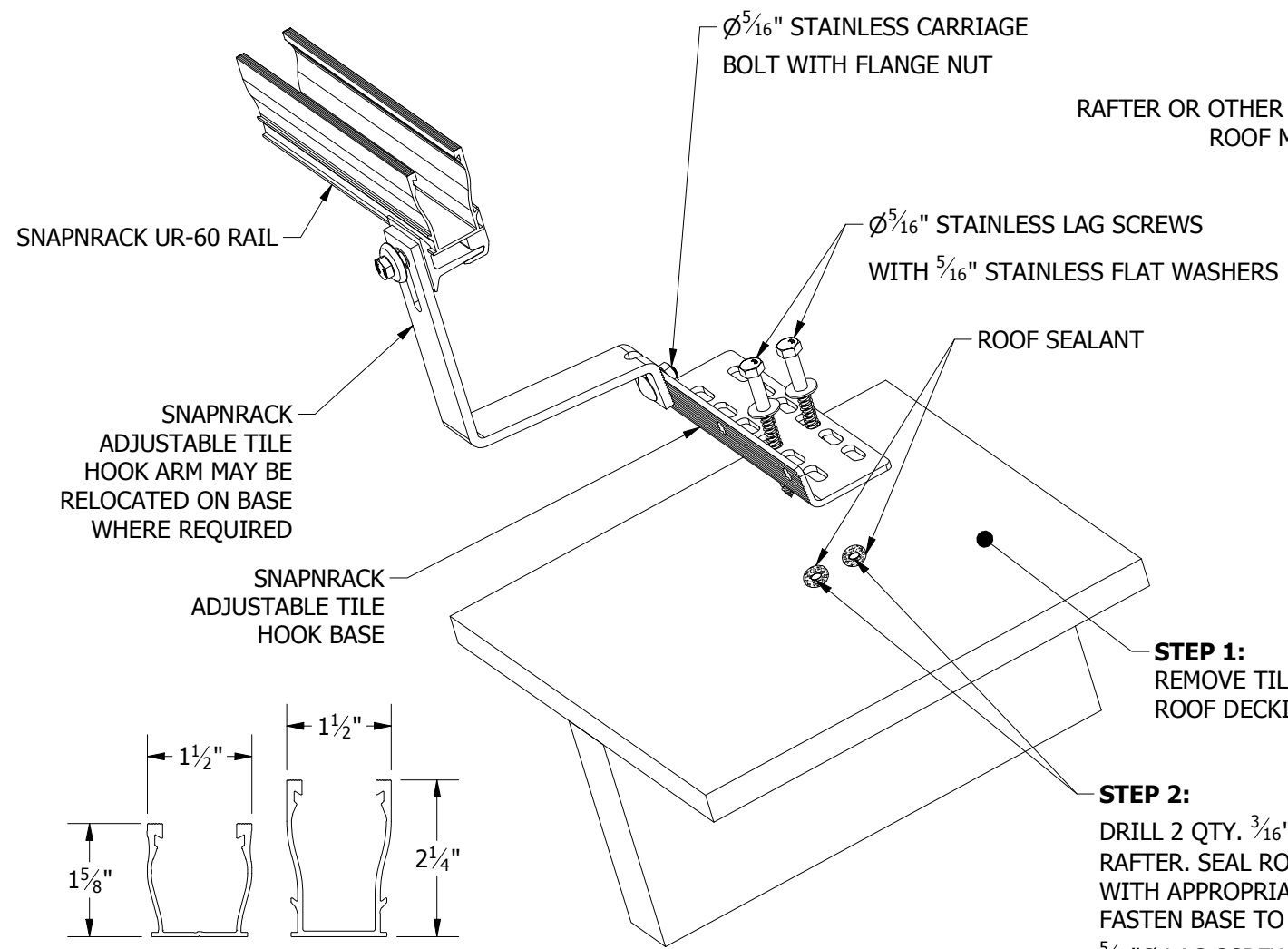
BIN: **1**

REVISION:		
A	2/6/2020	NEW DETAIL DR

MODULE HEIGHT OFF ROOF:
 UR-40: $7\frac{1}{4}$ " - $8\frac{15}{16}$ "
 UR-60: $7\frac{7}{8}$ " - $9\frac{9}{16}$ "

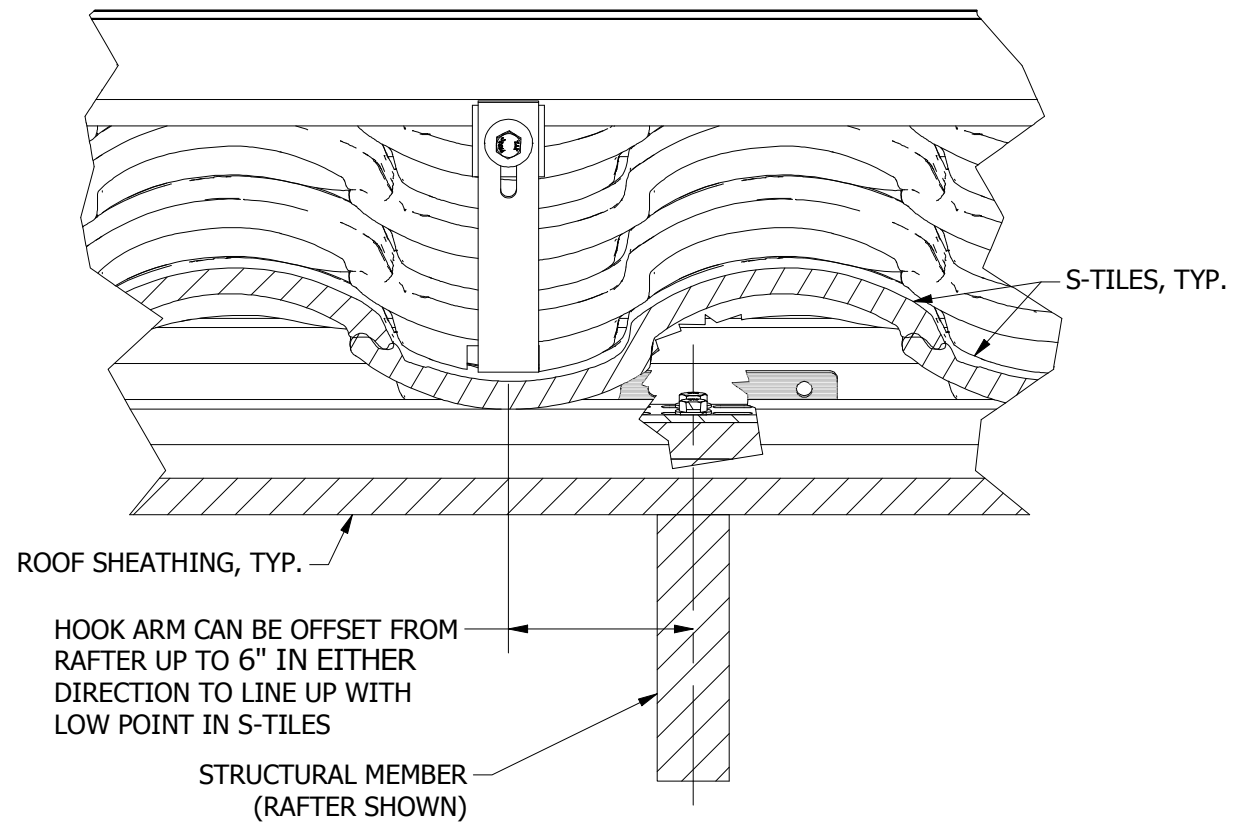


PENETRATION DETAIL



INSTALLED ASSEMBLY

- STEP 1:** REMOVE TILES TO EXPOSE ROOF DECKING
- STEP 2:** DRILL 2 QTY. $\frac{3}{16}$ " \varnothing PILOT HOLES INTO RAFTER. SEAL ROOF PENETRATIONS WITH APPROPRIATE SEALANT. FASTEN BASE TO ROOF WITH 2 QTY. $\frac{5}{16}$ " \varnothing LAG SCREWS WITH FLAT WASHERS



OFFSET DETAIL

UR-40 RAIL | UR-60 RAIL
 FOR USE WITH SNAPNRACK ULTRA SERIES RAILS



Sunrun South LLC
 595 MARKET STREET, 29TH FLOOR • SAN FRANCISCO, CA 94105 USA
 PHONE (415) 580-6900 • FAX (415) 580-6902
THE INFORMATION IN THIS DRAWING IS CONFIDENTIAL AND PROPRIETARY. ANY REPRODUCTION, DISCLOSURE, OR USE THEREOF IS PROHIBITED WITHOUT THE WRITTEN CONSENT OF SUNRUN SOUTH LLC.

DESIGNER: D.RYAN
 DRAFTER: D.RYAN
 APPROVED BY: W.ARBUCKLE

SCALE: DNS
 DATE: 2/6/2020

DRAWING NUMBER:
SNR-DC-00437

DESCRIPTION: ULTRA RAIL, ATTACHMENT DETAIL, ULTRA RAIL ADJUSTABLE TILE HOOK TO RAFTER

REV: **A**