

SNAPNRACK ADJUSTABLE TILE HOOK FOR USE WITH SNAPNRACK ULTRA RAIL

TILE ROOF MOUNT ASSEMBLY MAY BE USED FOR S, W, AND FLAT TILE PROFILE ROOFS

REFER TO SNAPNRACK ENGINEERING CHARTS FOR APPLICABLE RAIL SPANS. "BIN" NUMBER ON CHART SHOULD MATCH "BIN" NUMBER ON THIS DRAWING

5/16"Ø S.S. LAG SCREWS MUST EMBED A MIN. OF 2 1/2" INTO STRUCTURAL MEMBER

REFER TO SNAPNRACK INSTALLATION MANUAL FOR 5/16"Ø HARDWARE TORQUE SPECIFICATIONS UNLESS STATED OTHERWISE

RAIL MAY BE MOUNTED TO THE UPSLOPE OR DOWNSLOPE SIDE OF THE TILE HOOK

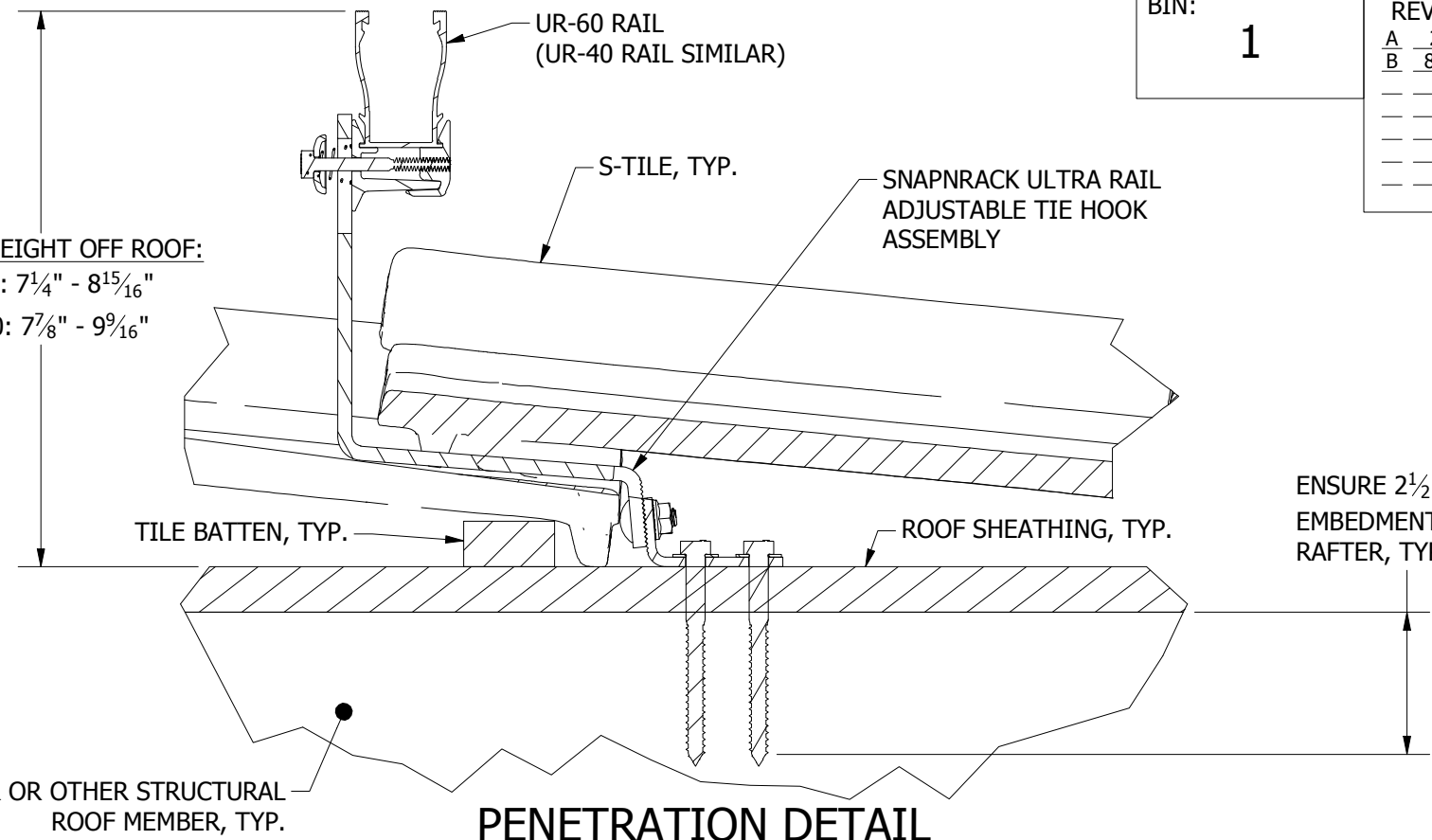
RAILS CAN BE LEVELED UP TO 1 1/4" USING THE SLOT IN THE TILE HOOK

TILE HOOK ARM CAN BE LEVELED 7/16" RELATIVE TO THE BASE

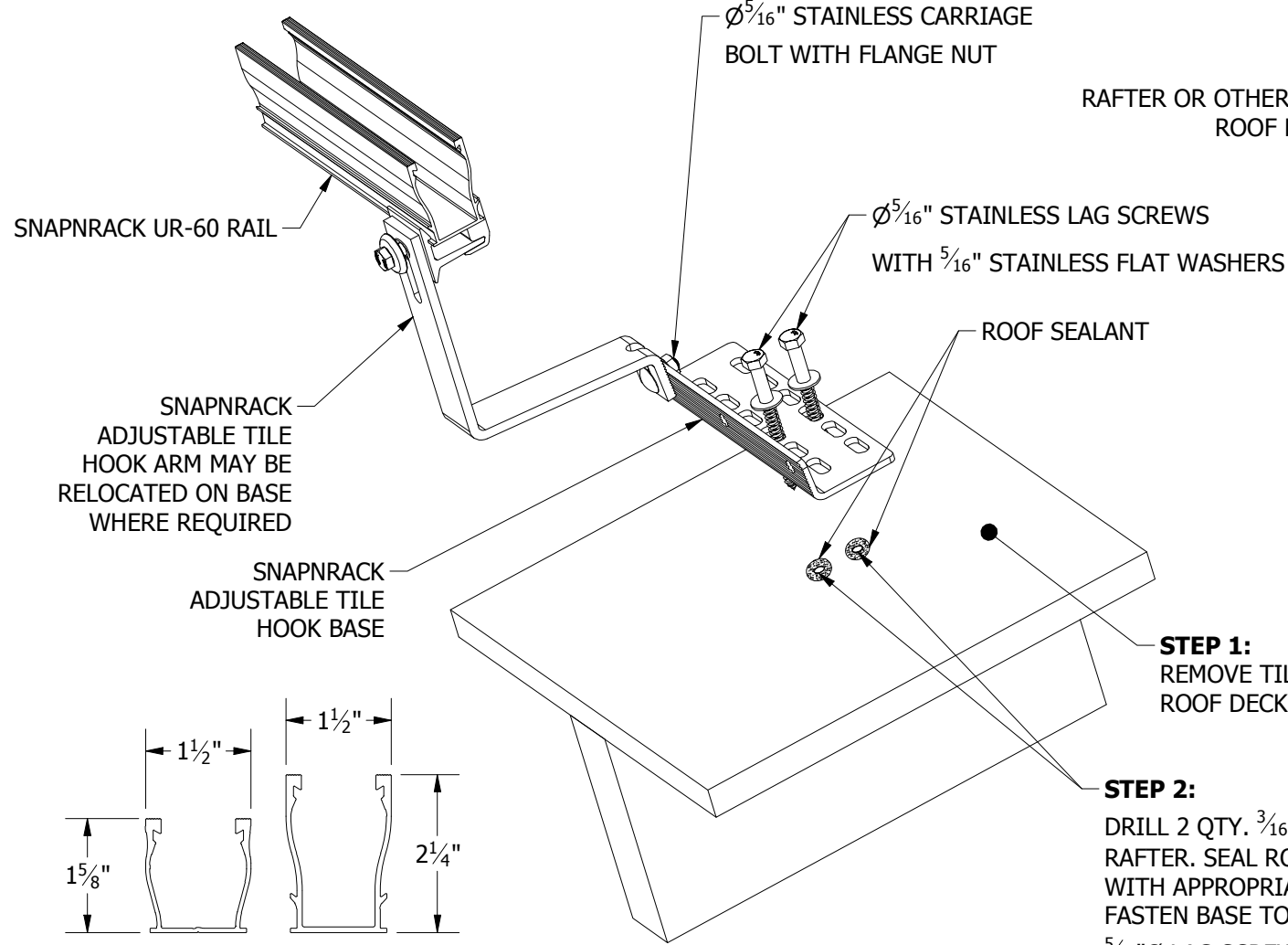
BIN:
1

REVISION:			
A	2/6/2020	NEW DETAIL	DR
B	8/12/2020	EDITED NOTES	DR

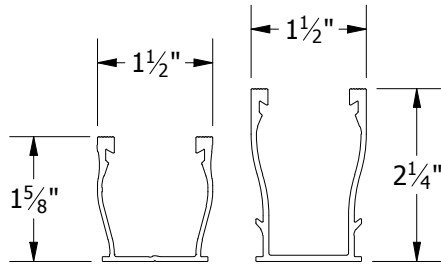
MODULE HEIGHT OFF ROOF:
UR-40: 7 1/4" - 8 15/16"
UR-60: 7 7/8" - 9 9/16"



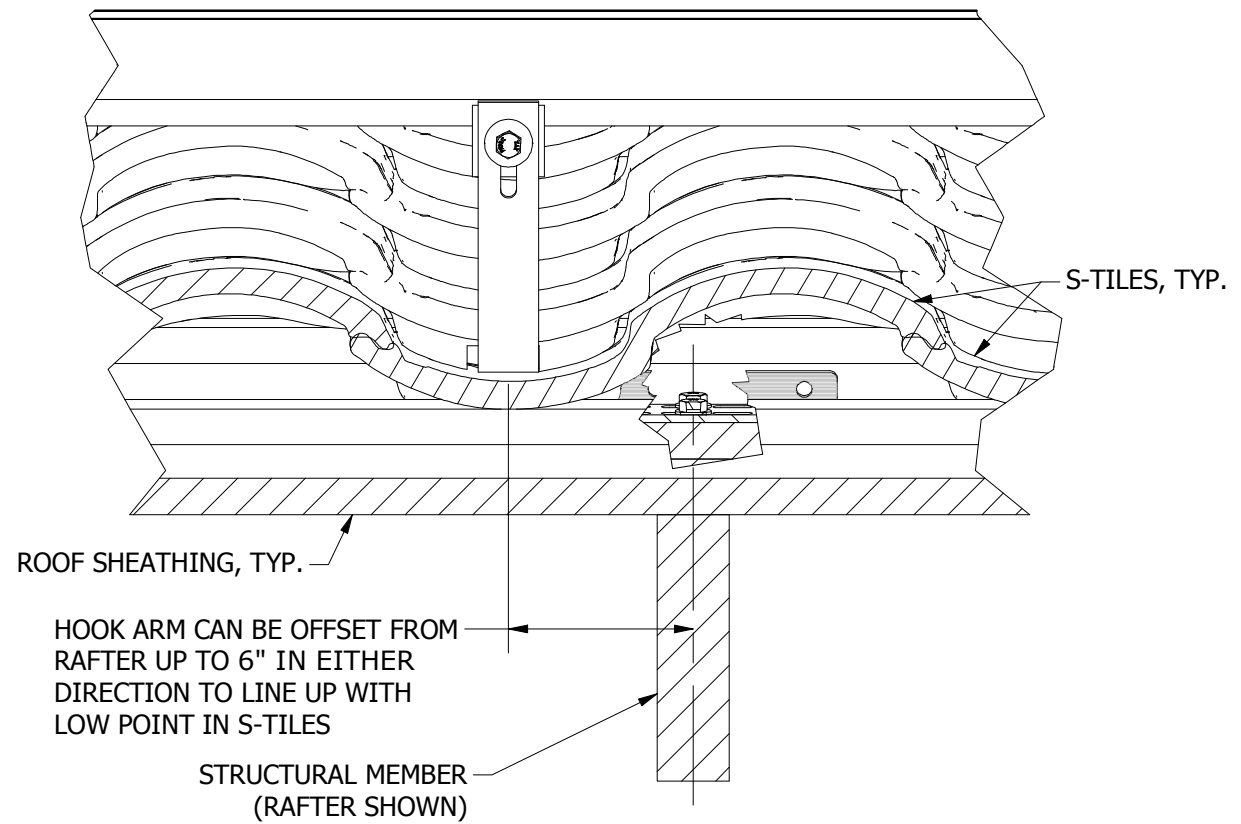
PENETRATION DETAIL



INSTALLED ASSEMBLY



UR-40 RAIL | UR-60 RAIL
FOR USE WITH SNAPNRACK ULTRA SERIES RAILS



OFFSET DETAIL



Sunrun South LLC
595 MARKET STREET, 29TH FLOOR • SAN FRANCISCO, CA 94105 USA
PHONE (415) 580-6900 • FAX (415) 580-6902
THE INFORMATION IN THIS DRAWING IS CONFIDENTIAL AND PROPRIETARY. ANY REPRODUCTION, DISCLOSURE, OR USE THEREOF IS PROHIBITED WITHOUT THE WRITTEN CONSENT OF SUNRUN SOUTH LLC.

DESIGNER: D.RYAN
DRAFTER: D.RYAN
APPROVED BY: W.ARBUCKLE

SCALE: DNS
DATE: 8/12/2020

DRAWING NUMBER:
SNR-DC-00437

DESCRIPTION: ULTRA RAIL, ATTACHMENT DETAIL, ULTRA RAIL ADJUSTABLE TILE HOOK TO RAFTER

REV: **B**