

SNAPNRACK UR SPEEDSEAL FOOT FOR COMPOSTION ROOF MOUNTING

MODULE HEIGHT OFF ROOF, RANGE:

UR-40: 3³/₈" - 4³/₈"

UR-60: 4" - 5"

REFER TO SNAPNRACK ENGINEERING CHARTS FOR APPLICABLE RAIL SPANS.

5/16"Ø S.S. LAG SCREW MUST EMBED A MIN. OF 2 1/2" INTO STRUCTURAL MEMBER

REFER TO SNAPNRACK INSTALLATION MANUAL FOR 5/16"Ø HARDWARE TORQUE SPECIFICATIONS

STRUCTURAL MEMBER SPECIFICATIONS:
 MINIMUM WOOD GRADE = SPF #2
 MINIMUM SPECIFIC GRAVITY = 0.42

ALLOWABLE FASTENER UPLIFT = 820 LBS
 ALLOWABLE FASTENER LATERAL = 250 LBS

MINIMUM FASTENER EDGE DISTANCE = 0.5"
 MINIMUM FASTENER END DISTANCE = 2.2"

2 1/2" MIN. EMBEDMENT INTO WOOD MEMBER

SNAPNRACK, ULTRA RAIL MOUNT, TAPPED

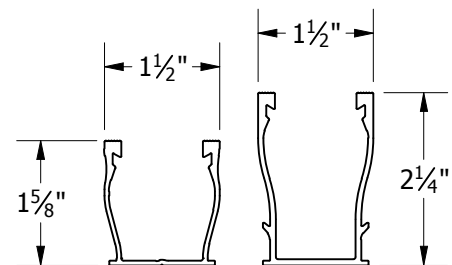
SNAPNRACK, ULTRA RAIL MOUNT, THRU

SNAPNRACK, SPEEDSEAL FOOT, BASE, SEALING

EXPLODED

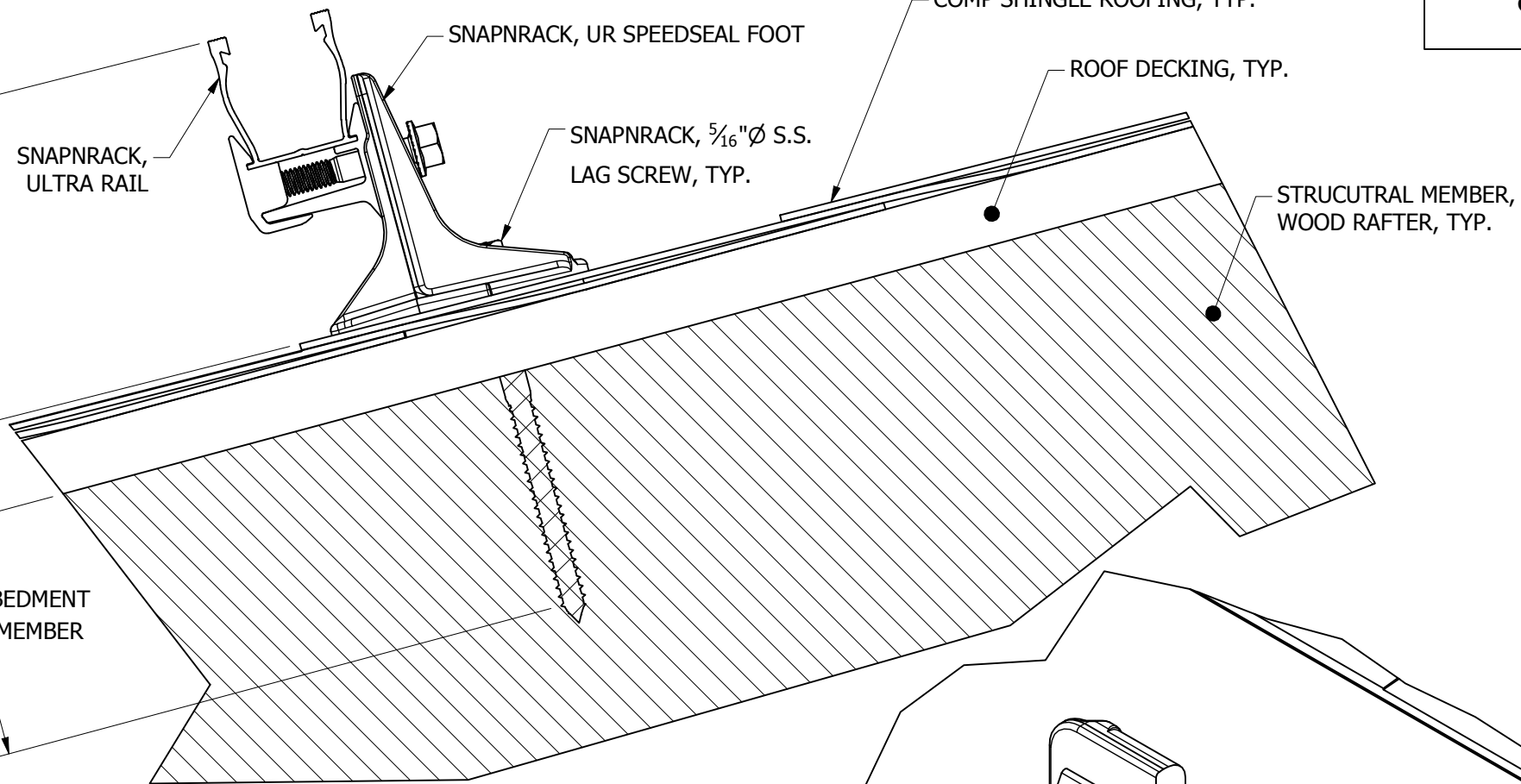
COIL SPRING FOR 3/8" Ø BOLT, S.S. OPTIONAL

5/16"Ø-18 X 2" BOLT, SERRATED FLANGE, S.S.

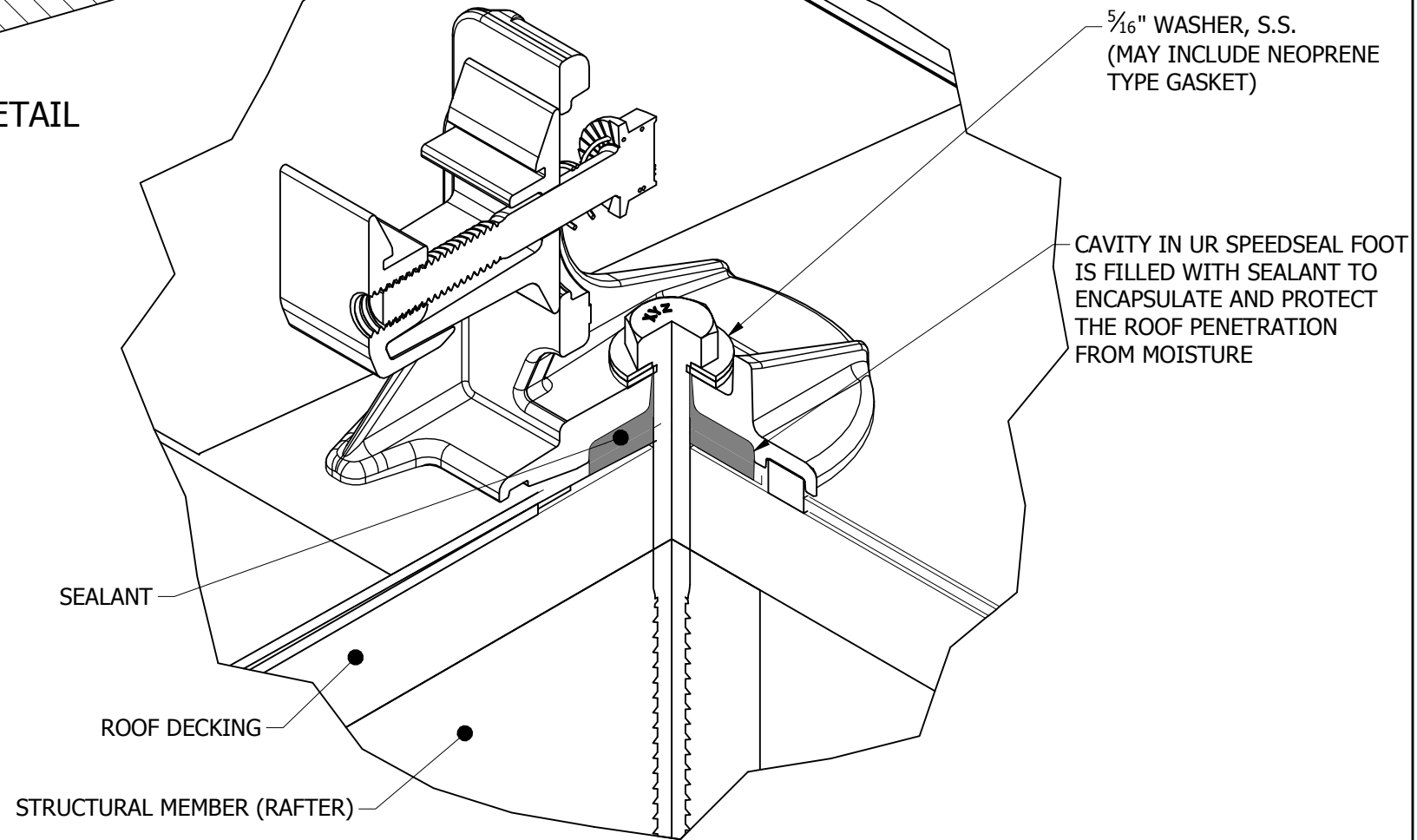


UR-40 RAIL | UR-60 RAIL

FOR USE WITH SNAPNRACK ULTRA SERIES RAILS



PENETRATION DETAIL



BIN: **8**

REVISION:			
1	3/10/2020	NEW DETAIL	MJA
2	6/5/2020	DIE CAST	BDP
3	7/22/2020	NAME UPDATE	MJA
4	10/2/2020	MIAMI-DADE	MJA