

THE SNAPNRACK TILT LEG PLUS IS A SIMPLE SOLUTION FOR INSTALLATIONS REQUIRING MODULE TILT BEYOND THE EXISTING ROOF SLOPE. IT IS DESIGNED FOR A FIXED 10° TILT ANGLE ABOVE THE HORIZONTAL

REFER TO SNAPNRACK ENGINEERING CHARTS FOR APPLICABLE RAIL SPANS. "BIN" NUMBER ON CHART SHOULD MATCH "BIN" NUMBER ON THIS DRAWING

REFER TO PENETRATION DETAIL VIEWS FOR DETAILS ON ATTACHING TO BOTH WOOD STRUCTURAL MEMBERS AND CONCRETE

REFER TO THE SNAPNRACK INSTALLATION MANUAL FOR 5/16"Ø HARDWARE TORQUE SPECIFICATIONS

FOR ADDITIONAL SYSTEM REQUIREMENTS, INCLUDING MODULE OVERHANG, SEE "SNR-DC-00329 ULTRA RAIL, SYSTEM OVERVIEW, TYPICAL"

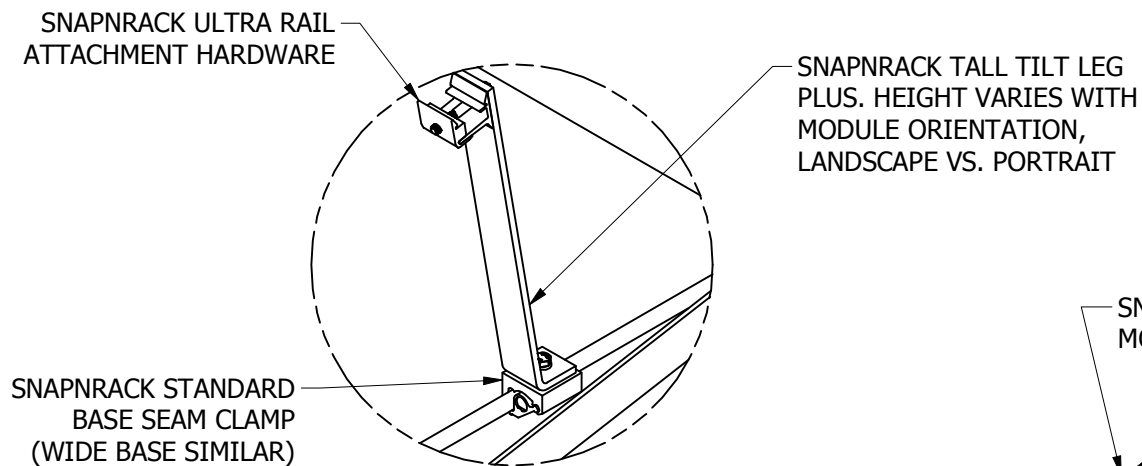
THE TILT LEG PLUS FEATURES 1" OF VERTICAL ADJUSTABILITY FOR LEVELING RAILS

RAILS CAN BE MOUNTED UPSLOPE OR DOWNSLOPE OF THE TILT LEGS

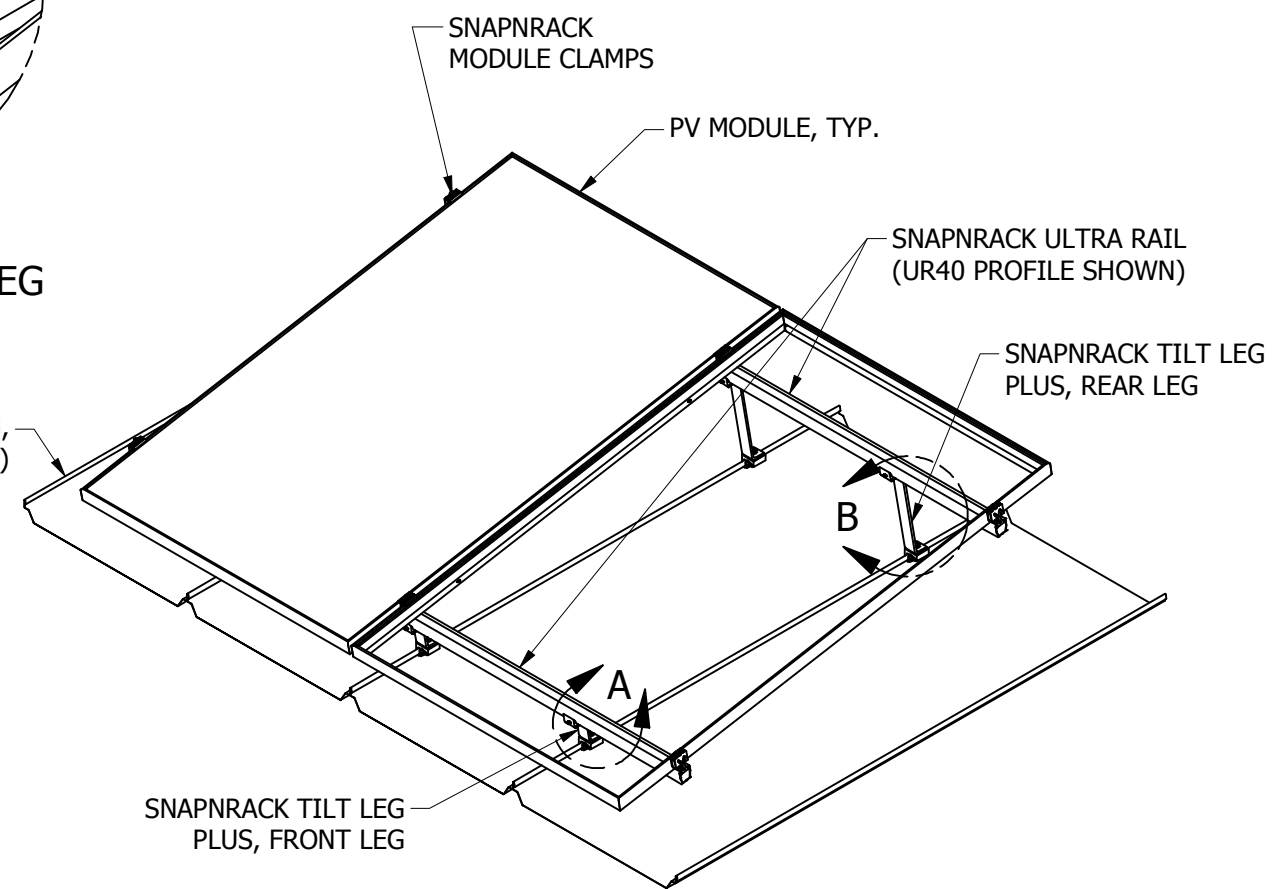
TILT ANGLE MUST ALWAYS BE IN SAME DIRECTION AS ROOF PITCH. REVERSE TILT NOT SUPPORTED

BIN:  
9

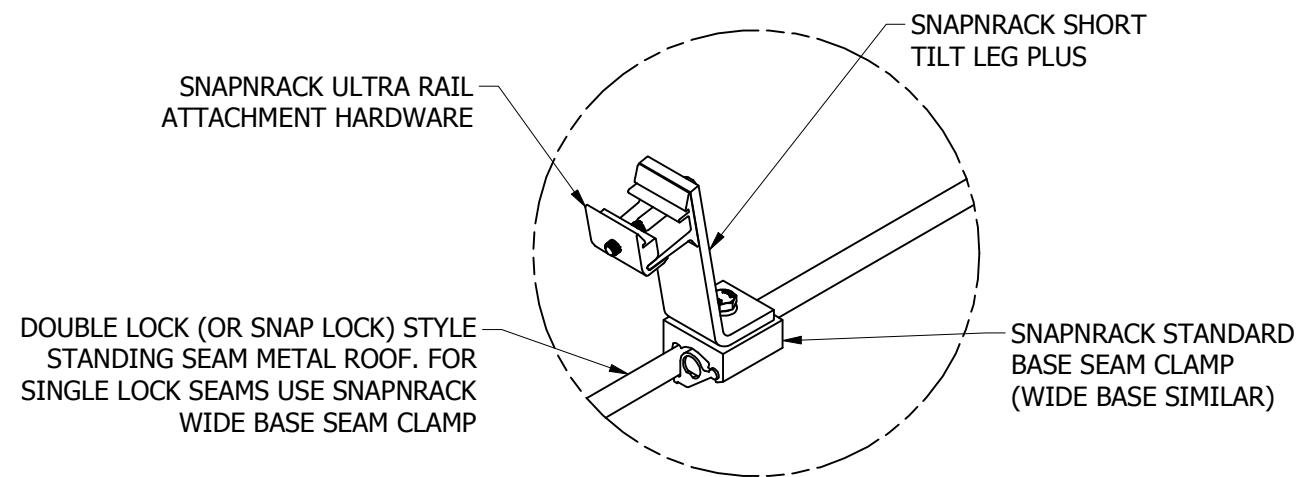
REVISION:		
1	6/18/2020	NEW DETAIL DR



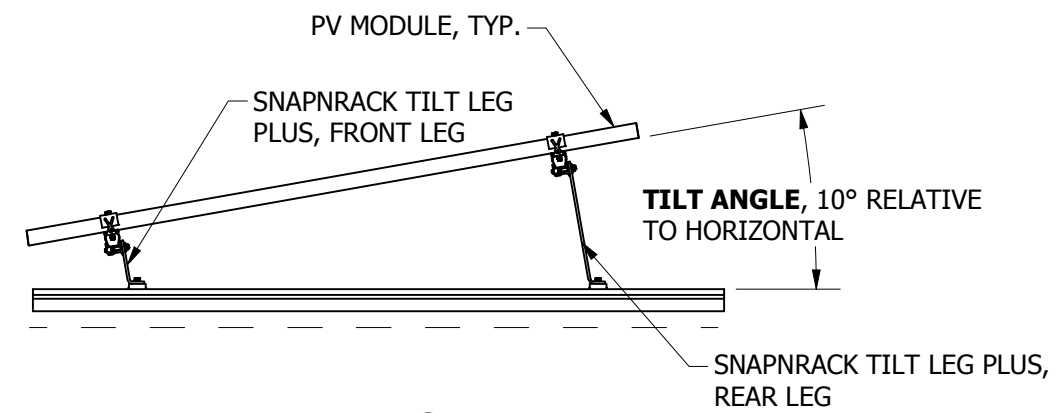
**DETAIL B**  
TILT LEG PLUS, REAR LEG  
(RAIL HIDDEN)



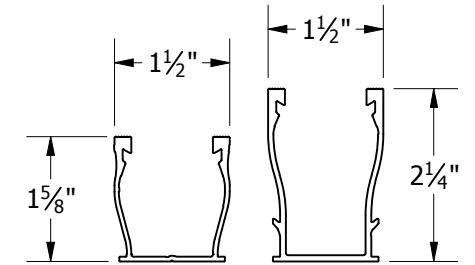
**FIXED TILT, INSTALLED**



**DETAIL A**  
TILT LEG PLUS, FRONT LEG  
(RAIL HIDDEN)



**TILT ANGLE**  
FLAT ROOF ONLY



**UR-40 RAIL | UR-60 RAIL**  
FOR USE WITH SNAPNRACK ULTRA SERIES RAILS



Sunrun South LLC  
595 MARKET STREET, 29TH FLOOR • SAN FRANCISCO, CA 94105 USA  
PHONE (415) 580-6900 • FAX (415) 580-6902  
THE INFORMATION IN THIS DRAWING IS CONFIDENTIAL AND PROPRIETARY. ANY REPRODUCTION, DISCLOSURE, OR USE THEREOF IS PROHIBITED WITHOUT THE WRITTEN CONSENT OF SUNRUN SOUTH LLC.

DESIGNER: G.MCPHEETERS  
DRAFTER: D.RYAN  
APPROVED BY: B.PETERSON

SCALE: DNS  
DATE: 6/18/2020

DRAWING NUMBER:  
SNR-DC-00446

DESCRIPTION:  
ULTRA RAIL, SYSTEM DETAIL, SIMPLE TILT ON SEAM CLAMPS

REV: **1**