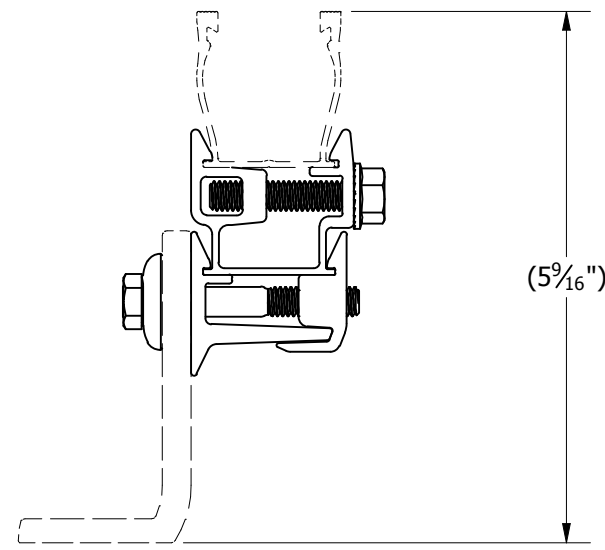
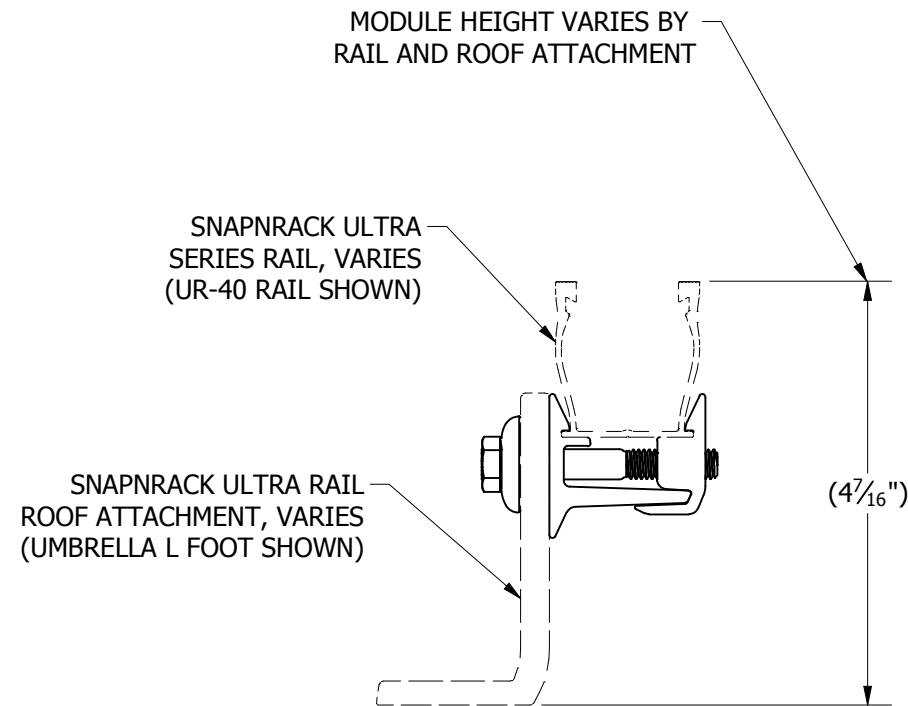
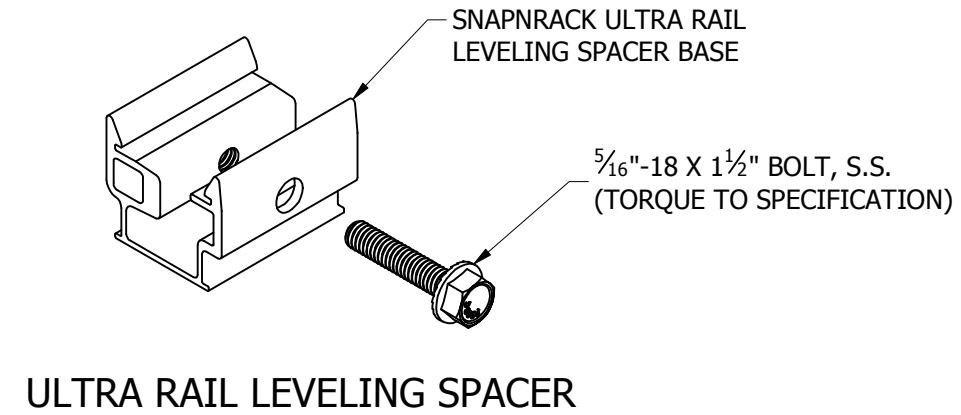
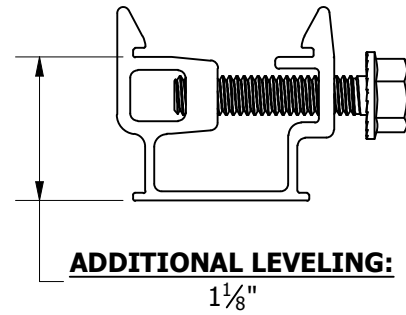


SNAPNRACK'S ULTRA RAIL LEVELING SPACER PROVIDES ADDITIONAL LEVELING FOR ALL ULTRA RAIL FLUSH MOUNT ROOF ATTACHMENTS

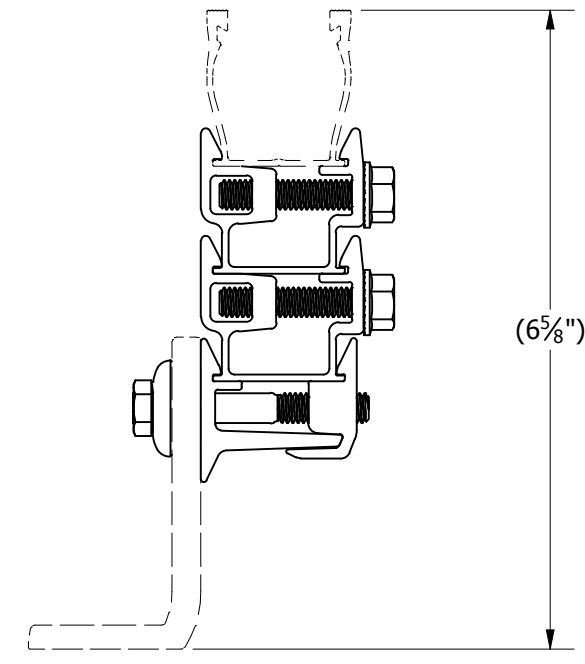
TORQUE ALL FASTENERS TO THE SPECIFIED VALUES PRIOR TO INSTALLING PV MODULES. REFER TO SNAPNRACK INSTALLATION MANUAL FOR $\frac{5}{16}$ "Ø HARDWARE TORQUE SPECIFICATIONS

BIN: N/A

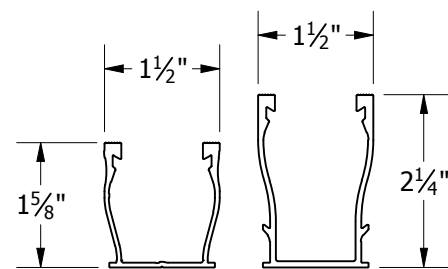
REVISION:			
1	7/8/2020	NEW DETAIL	MJA



(X1) SPACER
LIMIT TO 30% OF ROOF ATTACHMENTS



(X2) SPACER
LIMIT TO 10% OF ROOF ATTACHMENTS



UR-40 RAIL | UR-60 RAIL
FOR USE WITH SNAPNRACK ULTRA SERIES RAILS