

COMPONENT DETAIL FOR THE SNAPRACK RL UNIVERSAL MOUNT

MOUNT MAY BE USED WITH FLASHTRACK (SEE SNR-DC-00363) OR SPEEDSEAL TRACK SHOWN IN THIS DETAIL

THE RL UNIVERSAL MOUNT UTILIZES A "CLAMP-SLEEVE" METHOD OF MODULE ATTACHMENT TO ALLOW A ROCK-IN INSTALLATION OF THE UP-SLOPE MODULE. SEE "CLAMP-SLEEVE ATTACHMENT" VIEW

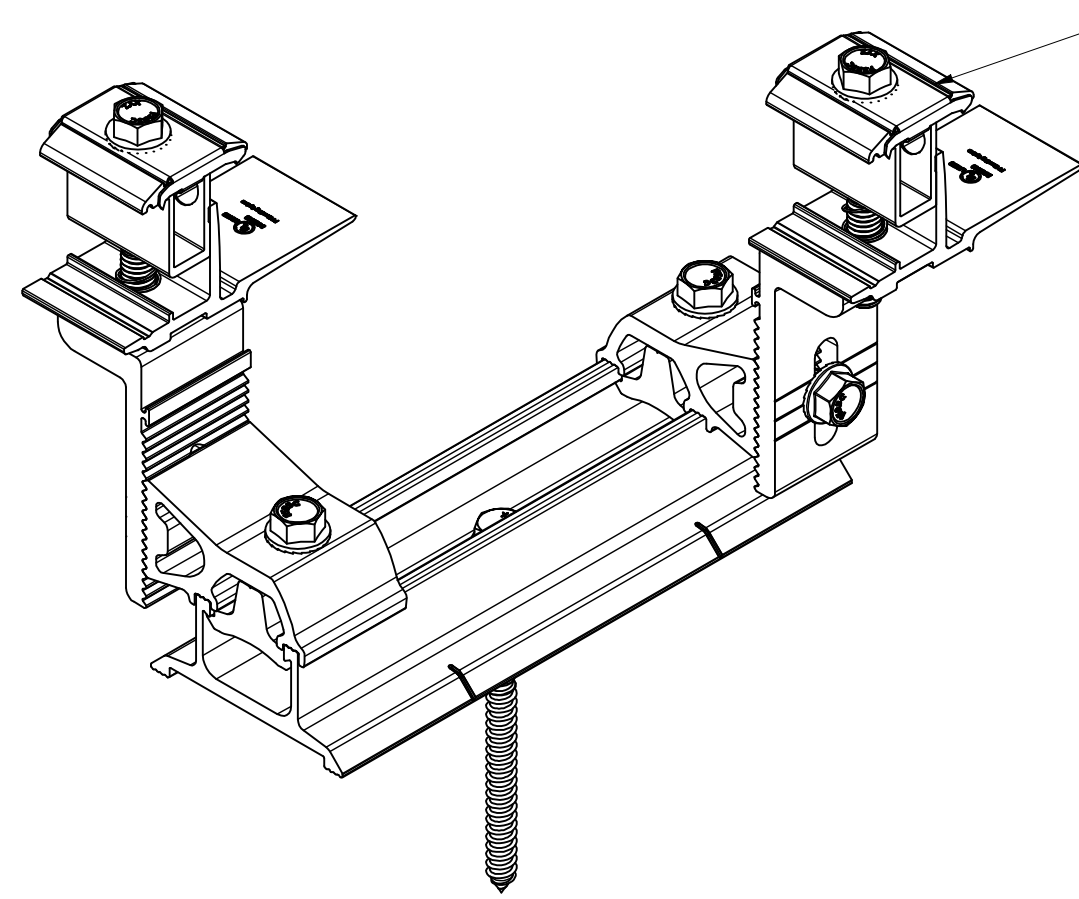
RL UNIVERSAL MOUNTS BOND ACROSS PV ARRAY ROWS VIA THE RL UNIVERSAL BONDING CLIP

THE RL UNIVERSAL MOUNT PROVIDES A FIXED 3/4" GAP BETWEEN PV MODULE ROWS

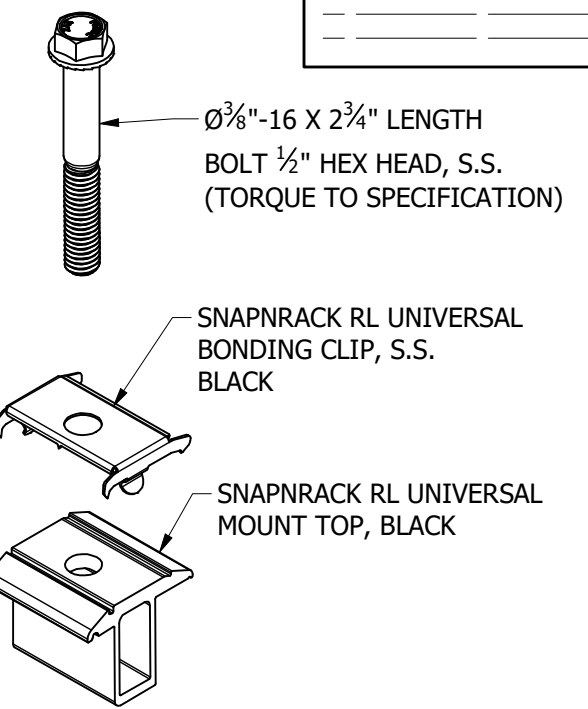
FOR UNEVEN ROOF SURFACES EACH MOUNT HAS 1" OF LEVELING CAPABILITY IN 1/8" INCREMENTS.

REFER TO SNAPRACK INSTALLATION MANUAL FOR HARDWARE TORQUE SPECIFICATIONS

REVISION:	A	1/14/2022	NEW DETAIL	DR



THE SNAPRACK RL UNIVERSAL MOUNT ATTACHES TO THE SNAPRACK SPEEDSEAL TRACK. IT CAN BE "FLIP-FLOPPED" IN THE SPEEDTRACK, AS SHOWN, TO REDUCE MODULE CANTILEVER AND ELIMINATE MOUNT-LINK INTERFERENCE

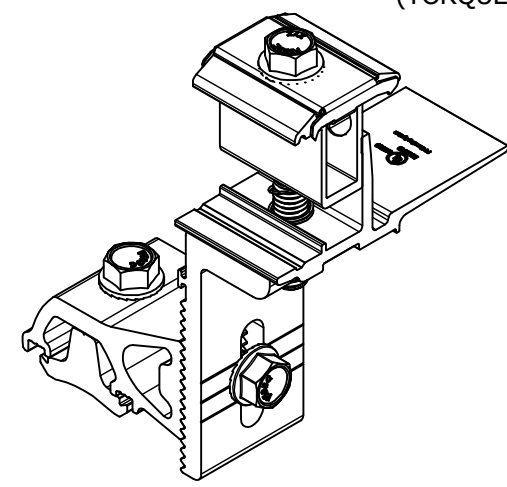


Ø3/8"-16 X 2 3/4" LENGTH BOLT 1/2" HEX HEAD, S.S. (TORQUE TO SPECIFICATION)

SNAPRACK RL UNIVERSAL BONDING CLIP, S.S. BLACK

SNAPRACK RL UNIVERSAL MOUNT TOP, BLACK

MOUNT "FLIP-FLOP" ABILITY



Ø5/16"-16 X 1" LENGTH BOLT, S.S. (TORQUE TO SPECIFICATION)

COIL SPRING FOR Ø3/8" BOLT, S.S. (OPTIONAL)

SNAPRACK RL UNIVERSAL MOUNT BOTTOM

SNAPRACK RL UNIVERSAL RISER

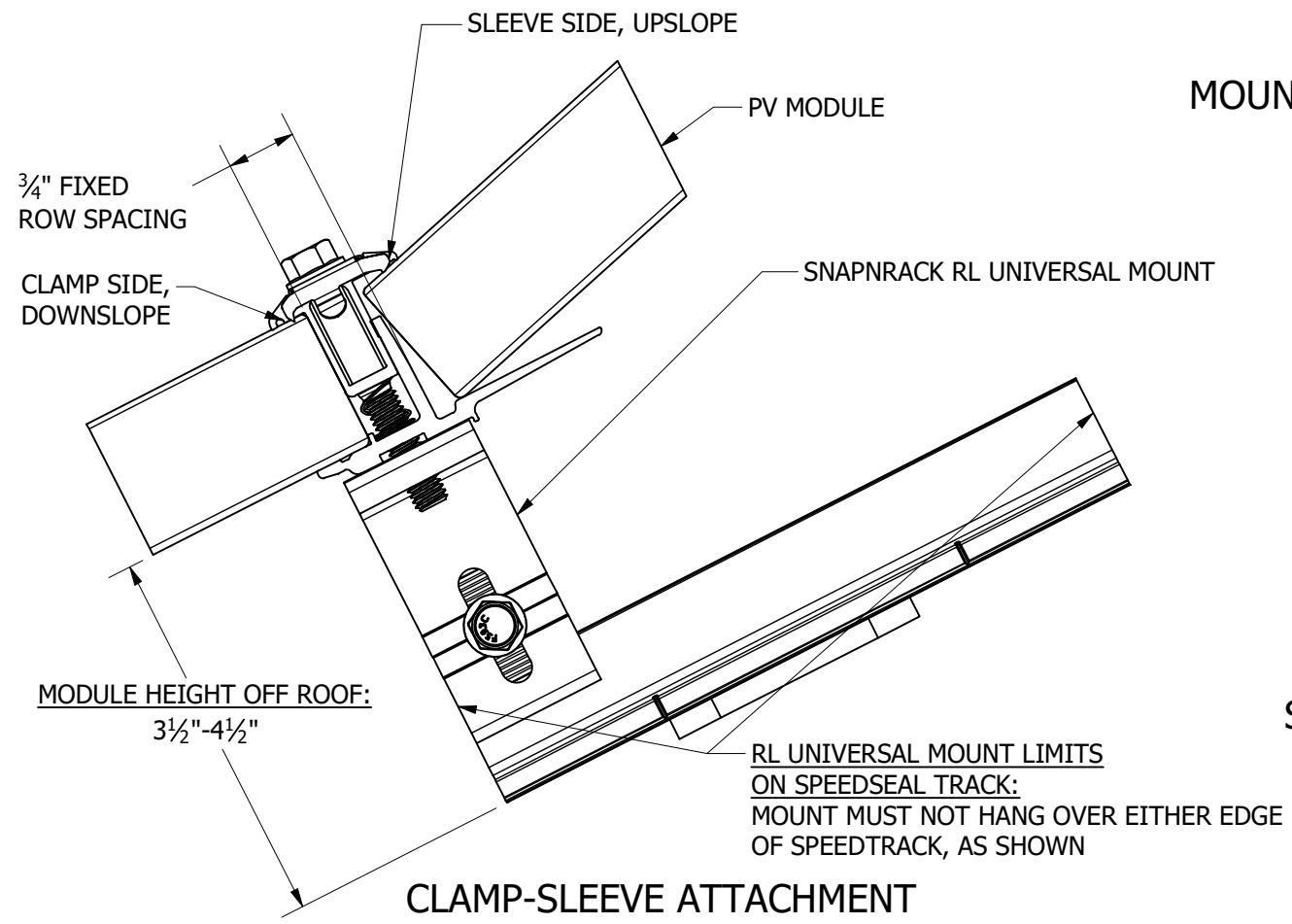
SNAPRACK RL UNIVERSAL LEVELER

SNAPRACK ROCK-IN CHANNEL NUT

Ø5/16"-16 X 3/4" LENGTH BOLT, S.S. (TORQUE TO SPECIFICATION)

SNAPRACK RL UNIVERSAL MOUNT, ASSEMBLY

SNAPRACK RL UNIVERSAL MOUNT, EXPLODED



CLAMP-SLEEVE ATTACHMENT

SLEEVE SIDE, UPSLOPE

PV MODULE

3/4" FIXED ROW SPACING

CLAMP SIDE, DOWNSLOPE

SNAPRACK RL UNIVERSAL MOUNT

MODULE HEIGHT OFF ROOF: 3 1/2" - 4 1/2"

RL UNIVERSAL MOUNT LIMITS ON SPEEDSEAL TRACK: MOUNT MUST NOT HANG OVER EITHER EDGE OF SPEEDTRACK, AS SHOWN



Sunrun South LLC  
595 MARKET STREET, 29TH FLOOR • SAN FRANCISCO, CA 94105 USA  
PHONE (415) 580-6900 • FAX (415) 580-6902  
THE INFORMATION IN THIS DRAWING IS CONFIDENTIAL AND PROPRIETARY. ANY REPRODUCTION, DISCLOSURE, OR USE THEREOF IS PROHIBITED WITHOUT THE WRITTEN CONSENT OF SUNRUN SOUTH LLC.

DESIGNER: B.PETERSON  
DRAFTER: D.RYAN  
APPROVED BY: W.ARBUCKLE

SCALE: NTS  
DATE: 1/14/2022

DRAWING NUMBER: SNR-DC-01183

DESCRIPTION: RL UNIVERSAL, COMPONENT DETAIL, MOUNT WITH SPEEDSEAL TRACK

REV: A