

**SNAPNRACK RL UNIVERSAL SPEEDSEAL TRACK COMPOSITION
ROOF MOUNTING**

EMBED $\phi 5/16$ " LAG SCREW 2-1/2" INTO THE ROOF
STRUCTURAL MEMBER / RAFTER

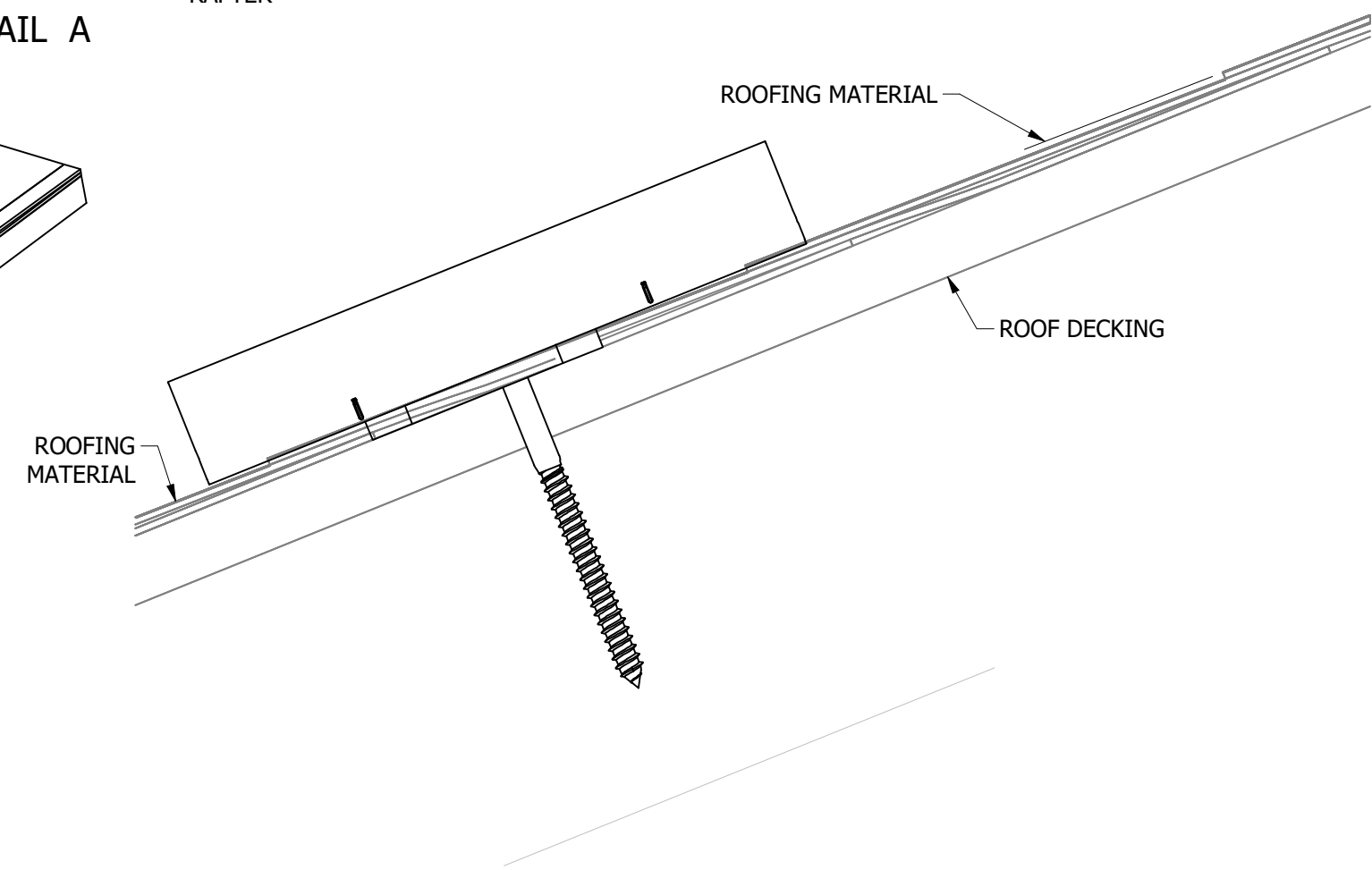
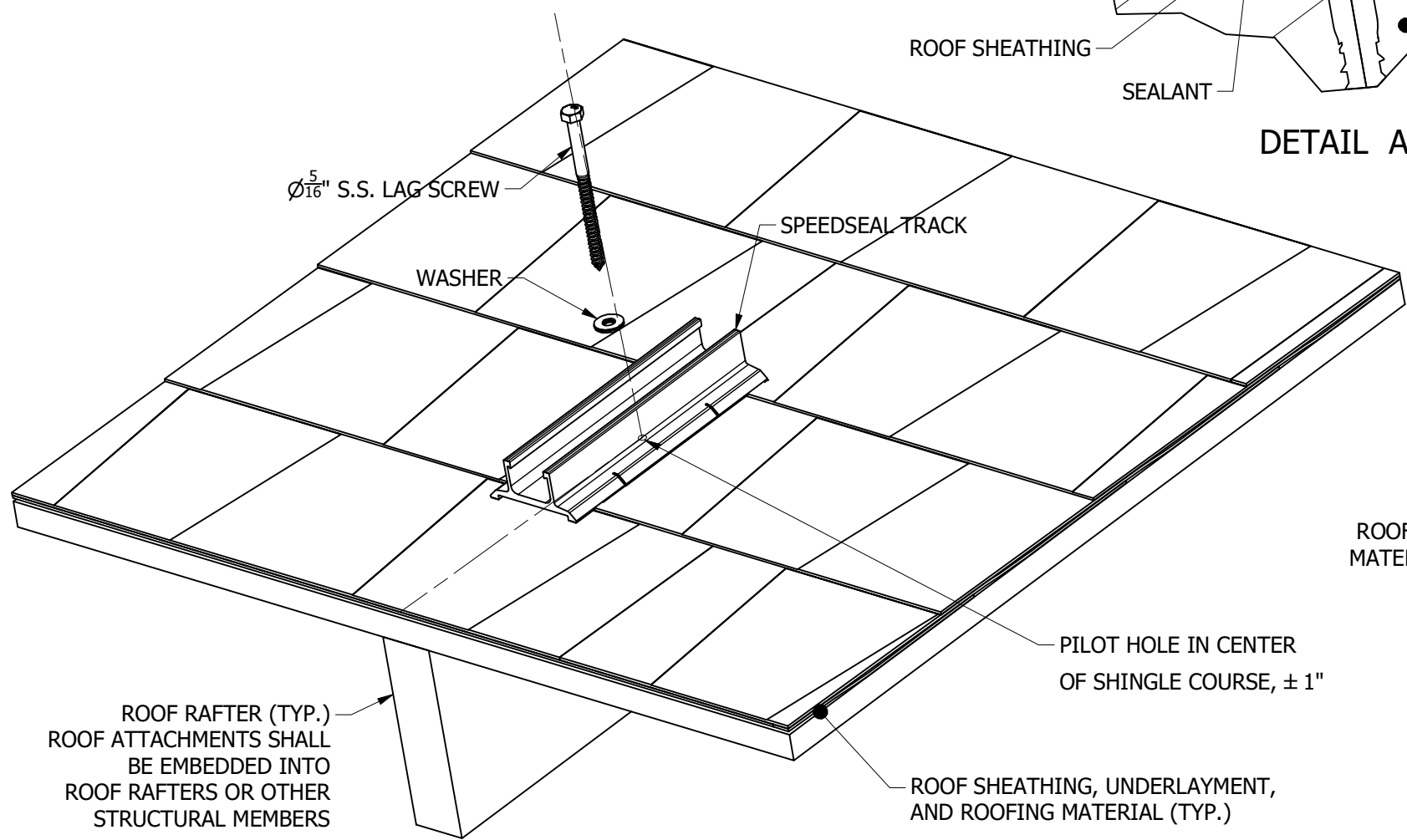
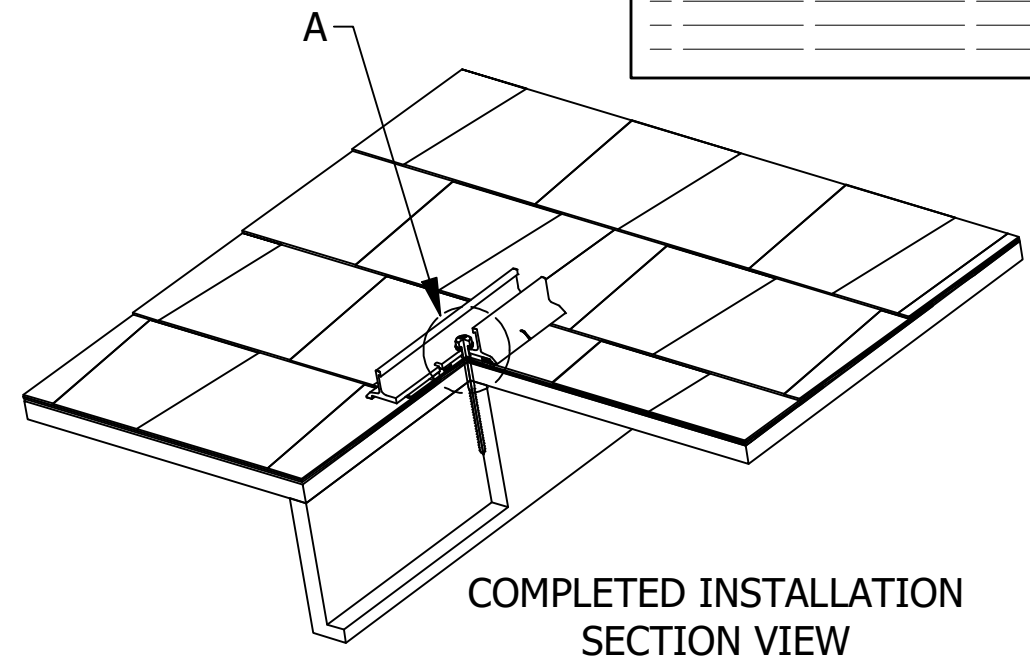
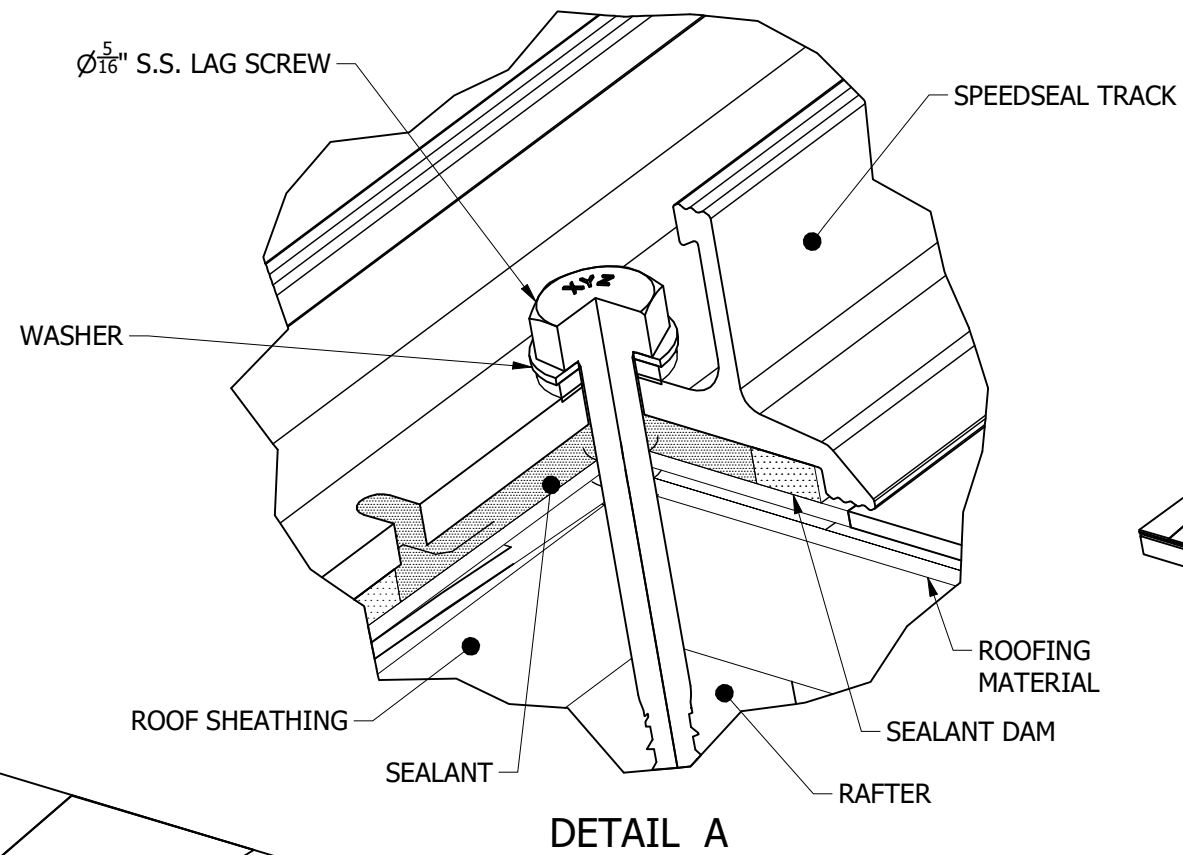
FOR TORQUE SPECIFICATIONS SEE INSTALLATION MANUAL

MINIMUM WOOD GRADE OF STRUCTURAL MEMBER = SPF#2
MINIMUM SPECIFIC GRAVITY = 0.42

ALLOWABLE FASTENER UPLIFT = 820 LBS
ALLOWABLE FASTENER LATERAL = 250 LBS

MINIMUM FASTENER EDGE DISTANCE = 0.5"
MINIMUM FASTENER END DISTANCE = 2.2"

REVISION:		
A	1/14/2022	NEW DETAIL DR



ROOF RAFTER (TYP.)
ROOF ATTACHMENTS SHALL
BE EMBEDDED INTO
ROOF RAFTERS OR OTHER
STRUCTURAL MEMBERS

PILOT HOLE IN CENTER
OF SHINGLE COURSE, ± 1 "
ROOF SHEATHING, UNDERLAYMENT,
AND ROOFING MATERIAL (TYP.)

COMPLETED INSTALLATION



Sunrun South LLC
595 MARKET STREET, 29TH FLOOR • SAN FRANCISCO, CA 94105 USA
PHONE (415) 580-6900 • FAX (415) 580-6902
THE INFORMATION IN THIS DRAWING IS CONFIDENTIAL AND PROPRIETARY. ANY REPRODUCTION, DISCLOSURE, OR USE THEREOF IS PROHIBITED WITHOUT THE WRITTEN CONSENT OF SUNRUN SOUTH LLC.

DESIGNER: D.RYAN
DRAFTER: B.PETERSON
APPROVED BY: W.ARBUCKLE

SCALE: NTS
DATE: 1/14/2022

DRAWING NUMBER:
SNR-DC-01184

DESCRIPTION:
RL UNIVERSAL, ATTACHMENT DETAIL,
SPEEDSEAL TRACK ON COMP

REV: **A**