

DESCRIPTION:  
**SNAPNRACK, CONDUIT SUPPORT ASSEMBLY**

PART NUMBER(S):  
**242-02730, 242-02731, 242-02732, 242-02733**

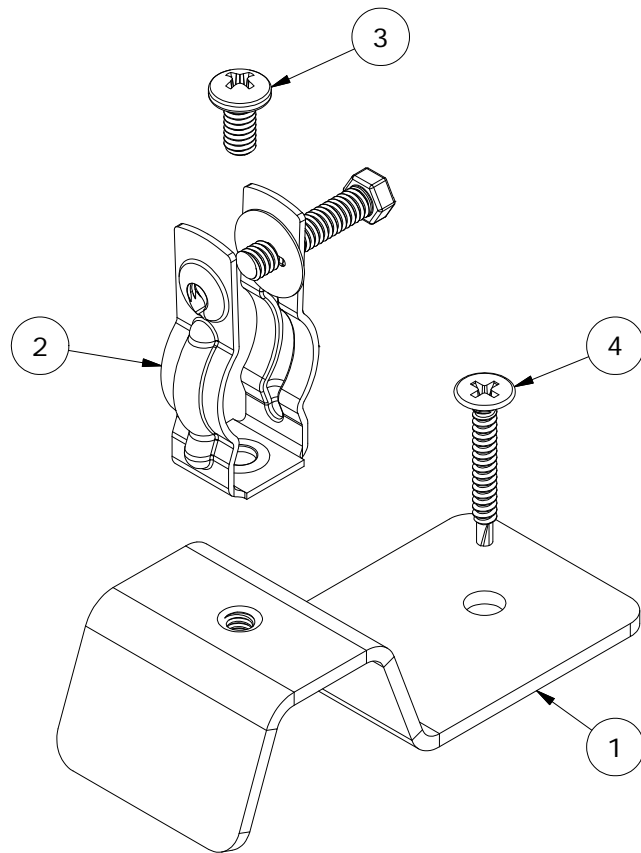
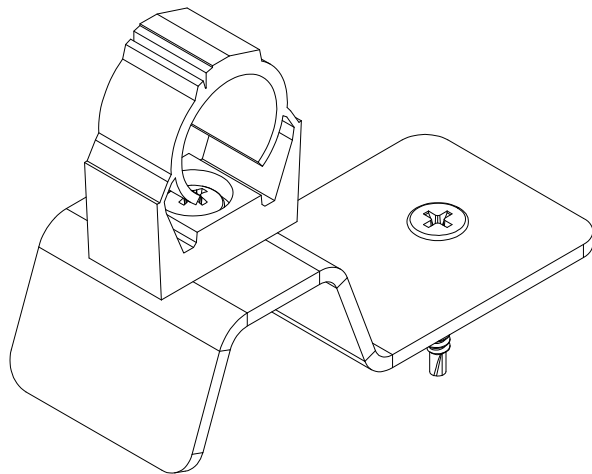
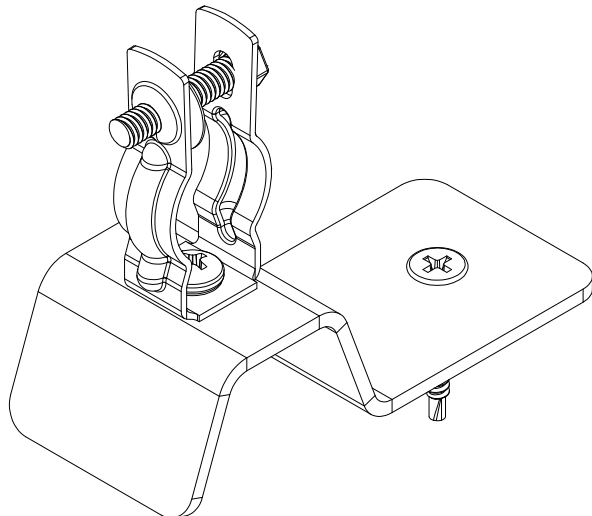
DRAWN BY:  
 mwatkins

REVISION:  
**A**

**SnapNrack™**  
**Solar Mounting Solutions**

595 MARKET STREET, 29TH FLOOR • SAN FRANCISCO, CA 94105 USA  
 PHONE (415) 580-6900 • FAX (415) 580-6902

THE INFORMATION IN THIS DRAWING IS CONFIDENTIAL AND PROPRIETARY. ANY REPRODUCTION, DISCLOSURE, OR USE THEREOF IS PROHIBITED WITHOUT THE WRITTEN CONSENT OF SUNRUN SOUTH LLC.



CONDUIT SUPPORT DETAILS		
SKU	MATERIAL	SIZE
242-02730	EMT	3/4"
242-02731	EMT	1"
242-02732	PVC	3/4"
242-02733	PVC	1"

PARTS LIST		
ITEM	QTY	DESCRIPTION
1	1	SNAPNRACK, CONDUIT MOUNT PRC, 1/4IN-20 TAPPED, 1060 AL, MILL
2	1	CONDUIT SUPPORT, SIZE / MATERIAL VARIES, 1/4IN HOLE, ZINC PLATED STEEL / PVC
3	1	SCREW, MACHINE, 1/4IN-20 X 1/2IN, PAN HEAD PHILLIPS, ZINC
4	1	SCREW, SELF-DRILLING, #10 x 1-1/2IN, FLAT HEAD PHILLIPS, SS

MATERIALS:	1000 SERIES ALUMINUM, STAINLESS STEEL, ZINC PLATED STEEL, PVC	
DESIGN LOAD (LBS):	N/A	OPTIONS:
ULTIMATE LOAD (LBS):	N/A	3/4" & 1" EMT
TORQUE SPECIFICATION:	N/A LB-FT	3/4" & 1" PVC
CERTIFICATION:	N/A	
WEIGHT (LBS):	0.22 - 0.27	

DESCRIPTION:

SNAPNRACK, CONDUIT SUPPORT ASSEMBLY

DRAWN BY:

mwatkins

REVISION:

A

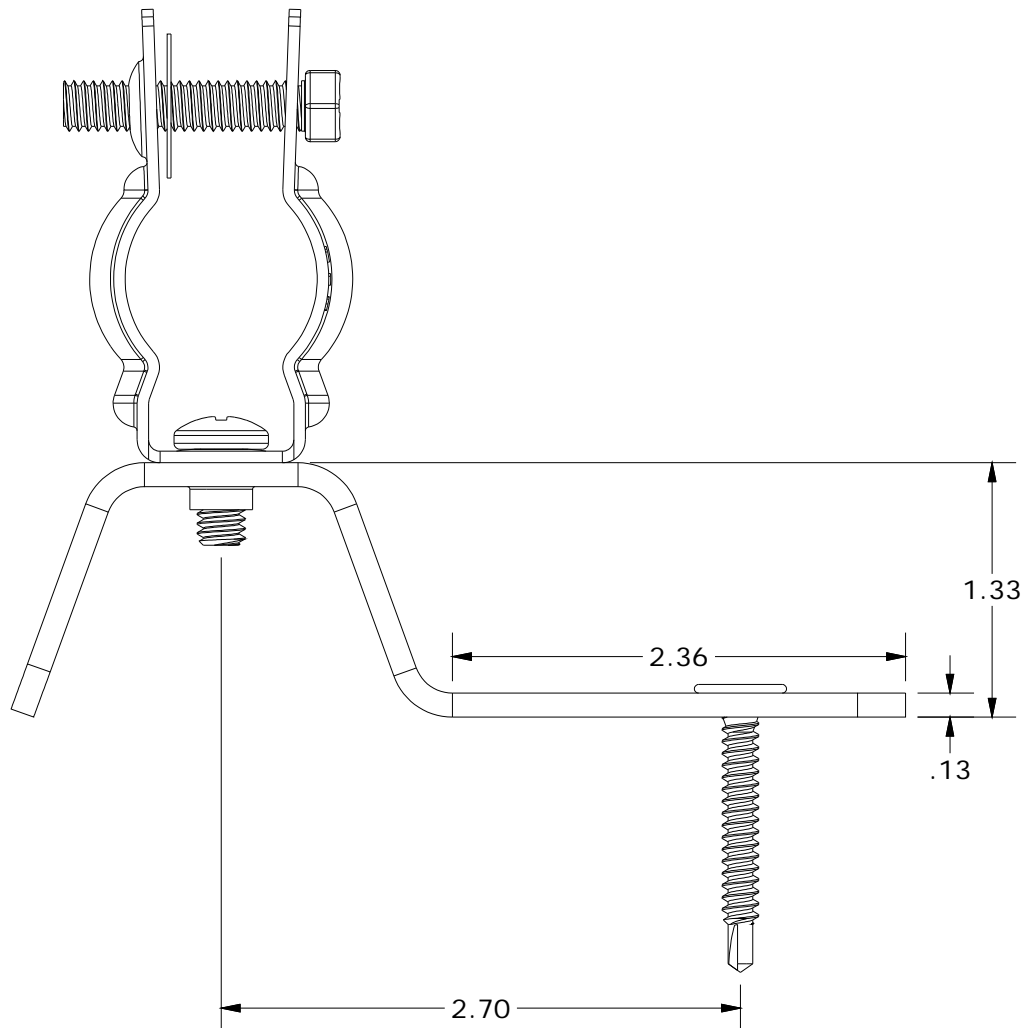
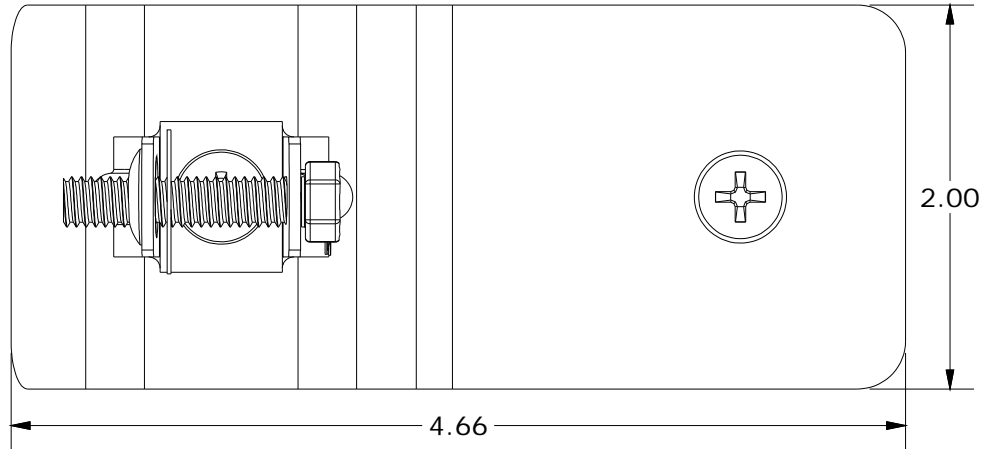
SnapNrack™  
Solar Mounting Solutions

PART NUMBER(S):

242-02730, 242-02731, 242-02732, 242-02733

595 MARKET STREET, 29TH FLOOR • SAN FRANCISCO, CA 94105 USA  
PHONE (415) 580-6900 • FAX (415) 580-6902

THE INFORMATION IN THIS DRAWING IS CONFIDENTIAL AND PROPRIETARY. ANY REPRODUCTION, DISCLOSURE, OR USE THEREOF IS PROHIBITED WITHOUT THE WRITTEN CONSENT OF SUNRUN SOUTH LLC.



ALL DIMENSIONS IN INCHES