

DESCRIPTION:  
**SNAPNRACK, ULTRA RAIL ADJUSTABLE TILE HOOK**

DRAWN BY:

mwatkins

**SnapNrack™**  
**Solar Mounting Solutions**

PART NUMBER(S):

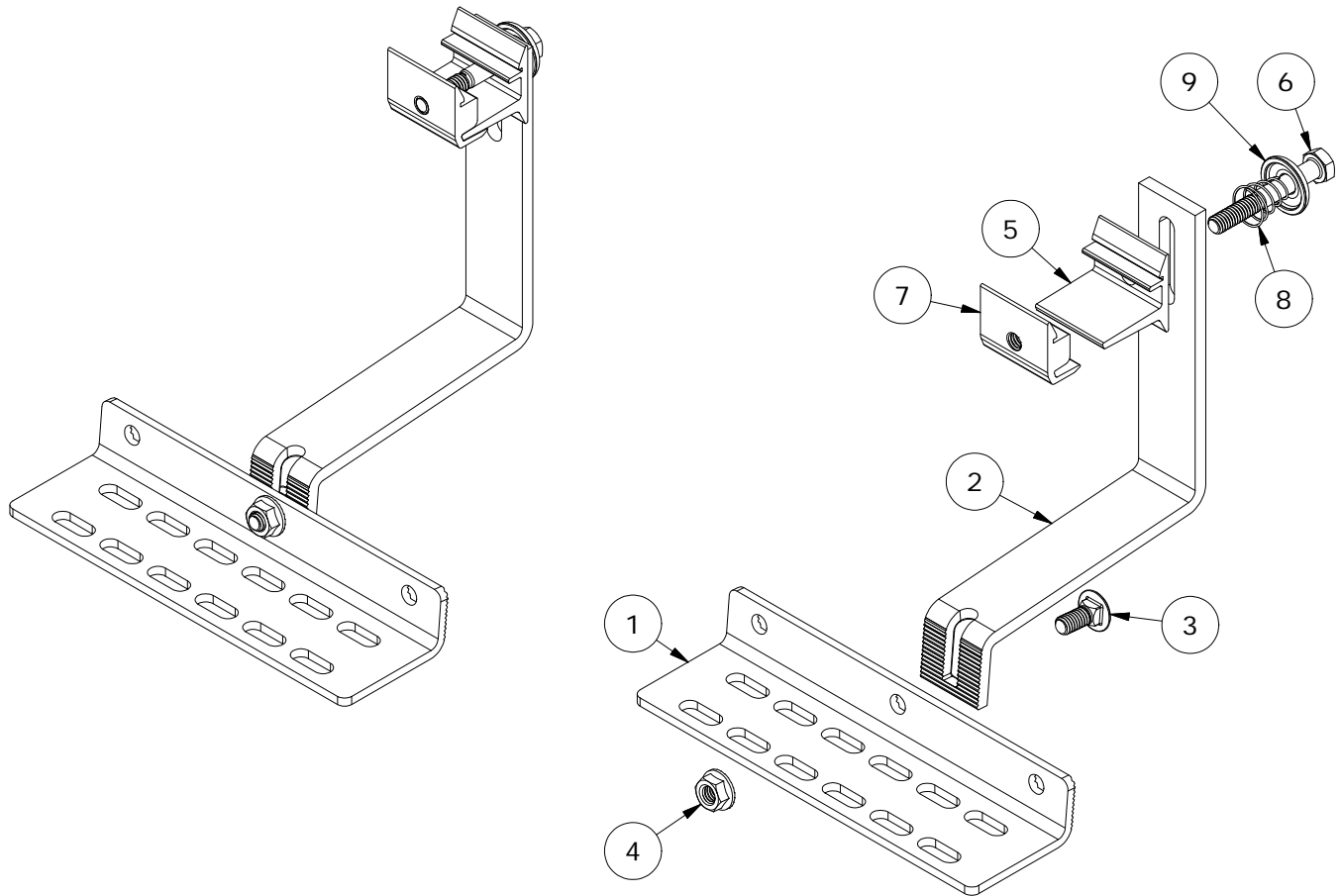
242-02729

REVISION:

**A**

595 MARKET STREET, 29TH FLOOR • SAN FRANCISCO, CA 94105 USA  
 PHONE (415) 580-6900 • FAX (415) 580-6902

THE INFORMATION IN THIS DRAWING IS CONFIDENTIAL AND PROPRIETARY. ANY REPRODUCTION, DISCLOSURE, OR USE THEREOF IS PROHIBITED WITHOUT THE WRITTEN CONSENT OF SUNRUN SOUTH LLC.



**PARTS LIST**

ITEM	QTY	DESCRIPTION
1	1	SNAPNRACK, ULTRA RAIL, TILE HOOK BASE, ADJUSTABLE
2	1	SNAPNRACK, ULTRA RAIL, TILE HOOK ARM, ADJUSTABLE
3	1	BOLT, CARRIAGE, 5/16IN-18 X 3/4IN, SS
4	1	NUT, FLANGE, SERRATED, 5/16IN-18, SS
5	1	SNAPNRACK, ULTRA RAIL MOUNT THRU PRC, CLEAR
6	1	5/16IN-18 X 2-1/4IN SS HCS BOLT
7	1	SNAPNRACK, ULTRA RAIL MOUNT TAPPED PRC, CLEAR
8	1	SNAPNRACK, ULTRA RAIL MOUNT SPRING, SS
9	1	SNAPNRACK, ULTRA RAIL MOUNT SPRING CAGE

MATERIALS:

6000 SERIES ALUMINUM, STAINLESS STEEL

OPTIONS:

DESIGN LOAD (LBS):

598 UP, 462 DOWN, 276 SIDE

ULTIMATE LOAD (LBS):

2114 UP, 2140 DOWN, 817 SIDE

TORQUE SPECIFICATION:

12 LB-FT

CERTIFICATION:

UL 2703, FILE E359313

WEIGHT (LBS):

2.05

DESCRIPTION:  
SNAPNRACK, ULTRA RAIL ADJUSTABLE TILE HOOK

DRAWN BY:  
mwatkins

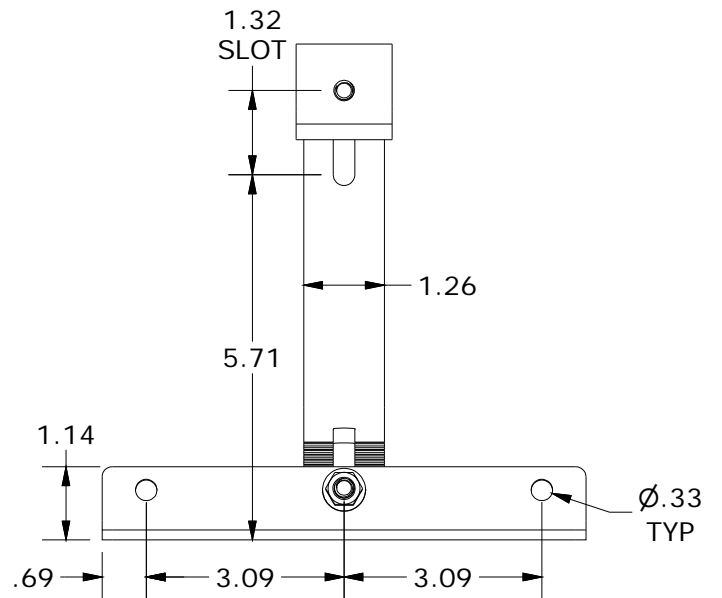
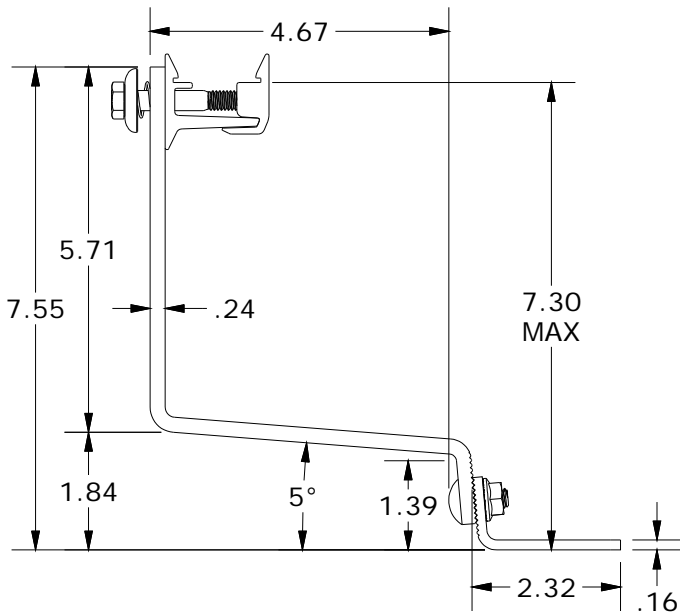
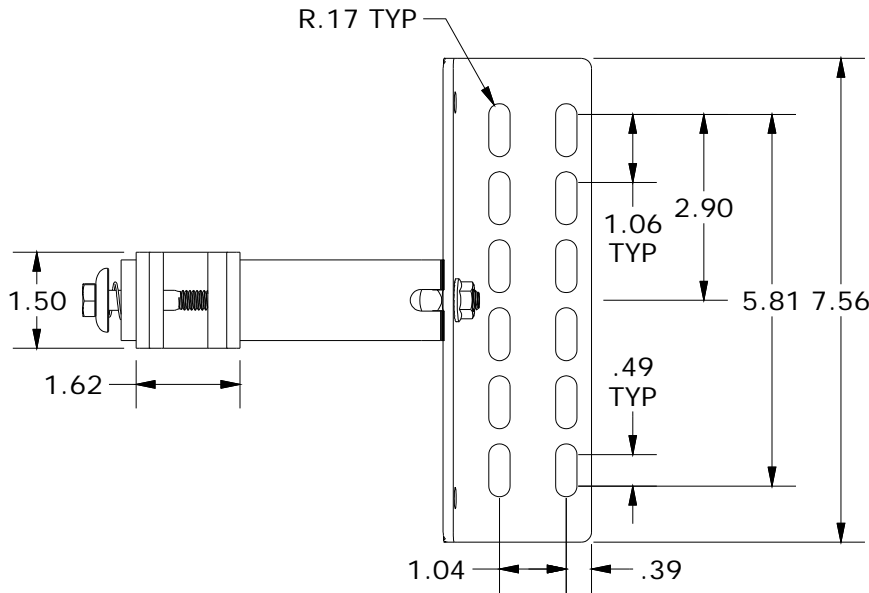
SnapNrack™  
Solar Mounting Solutions

PART NUMBER(S):  
242-02729

REVISION:  
A

595 MARKET STREET, 29TH FLOOR • SAN FRANCISCO, CA 94105 USA  
PHONE (415) 580-6900 • FAX (415) 580-6902

THE INFORMATION IN THIS DRAWING IS CONFIDENTIAL AND PROPRIETARY. ANY REPRODUCTION, DISCLOSURE, OR USE THEREOF IS PROHIBITED WITHOUT THE WRITTEN CONSENT OF SUNRUN SOUTH LLC.



ALL DIMENSIONS IN INCHES