

DESCRIPTION:  
**SNAPNRACK, ULTRA RAIL MID CLAMP**

DOC NUMBER:  
 SNR-DC-01316

**SnapNrack®**

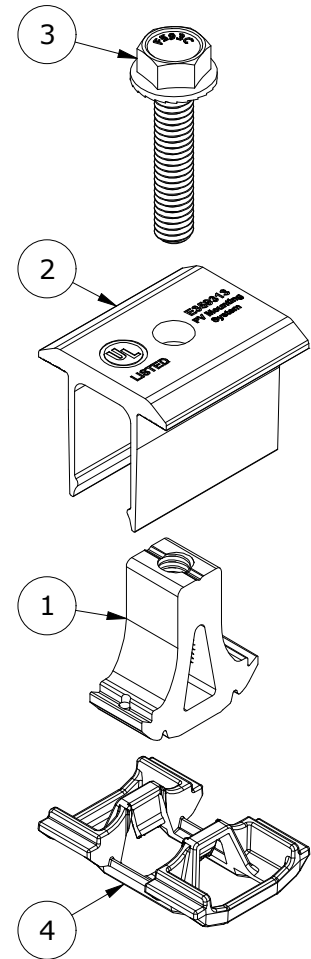
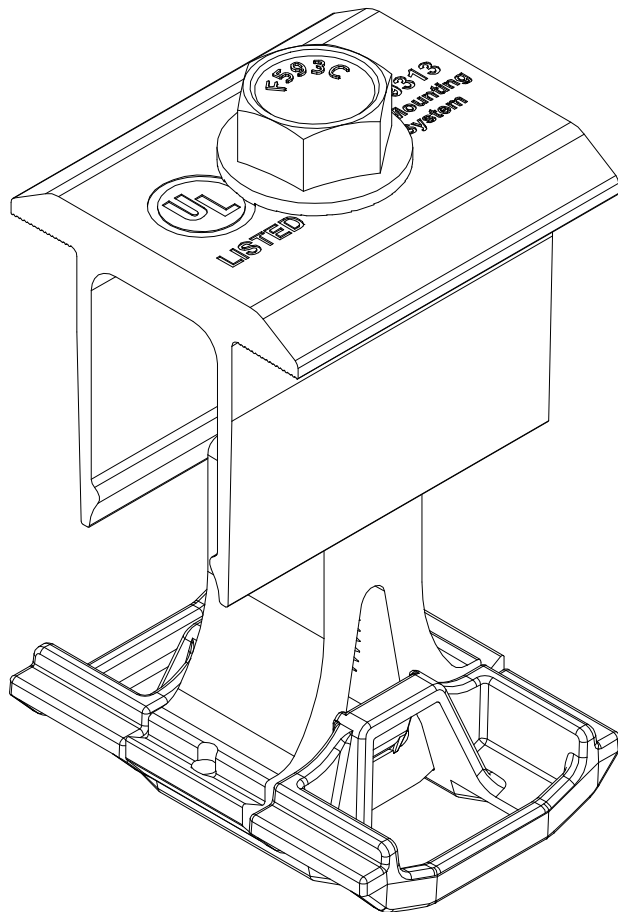
PART NUMBER(S):  
 242-02070, 242-02071

DRAWN BY:  
 mwatkins

SUNRUN INSTALLATION SERVICES INC.  
 225 BUSH STREET, SUITE 1400 • SAN FRANCISCO, CA 94104 USA  
 PHONE (877) 732-2860 • CONTACT@SNAPNRACK.COM  
THE INFORMATION IN THIS DRAWING IS CONFIDENTIAL AND PROPRIETARY. ANY REPRODUCTION, DISCLOSURE, OR USE THEREOF IS PROHIBITED WITHOUT THE WRITTEN CONSENT OF SUNRUN SOUTH LLC.

UNITS: IN, LB, DEG [MM, KG, DEG]      SHEET: 1:2

REV:      DATE:  
**C**      1/24/2023



MID CLAMP PROPERTIES	
SKU	COLOR
242-02070	SILVER
242-02071	BLACK

PARTS LIST		
ITEM	QTY	DESCRIPTION
1	1	SNAPNRACK, ULTRA RAIL MID CLAMP, KEYED BASE
2	1	SNAPNRACK, ULTRA RAIL MID CLAMP, TOP
3	1	BOLT, FLANGE SERRATED, 5/16IN-18 X 1-1/2IN, SS
4	1	SNAPNRACK, ULTRA RAIL MID CLAMP, EXTENSION

NOTE:  
 CLAMPS FIT 30-46MM THICK MODULE FRAMES

MATERIALS:	6000 SERIES ALUMINUM, STAINLESS STEEL, PLASTIC
DESIGN LOAD (LBS):	855
ULTIMATE LOAD (LBS):	2000
TORQUE SPECIFICATION:	16 FT-LBS
CERTIFICATION:	UL 2703, FILE E359313
WEIGHT (LBS):	0.16

DESCRIPTION:  
SNAPNRACK, ULTRA RAIL MID CLAMP

DOC NUMBER:  
SNR-DC-01316

SnapNrack®

PART NUMBER(S):  
242-02070, 242-02071

DRAWN BY:  
mwatkins

REV: C  
DATE: 1/24/2023

SUNRUN INSTALLATION SERVICES INC.  
225 BUSH STREET, SUITE 1400 • SAN FRANCISCO, CA 94104 USA  
PHONE (877) 732-2860 • CONTACT@SNAPNRACK.COM  
THE INFORMATION IN THIS DRAWING IS CONFIDENTIAL AND PROPRIETARY. ANY REPRODUCTION, DISCLOSURE, OR USE THEREOF IS PROHIBITED WITHOUT THE WRITTEN CONSENT OF SUNRUN SOUTH LLC.

UNITS: IN, LB, DEG [MM, KG, DEG] SHEET: 2:2

