

DESCRIPTION:
SNAPNRACK, TDS, ULTRA RAIL END CLAMP

DOC NUMBER:
 SNR-DC-01338

SnapNrack®

PART NUMBER(S):
 242-02072, 242-02073

DRAWN BY:
 H.WULFEKOETTER

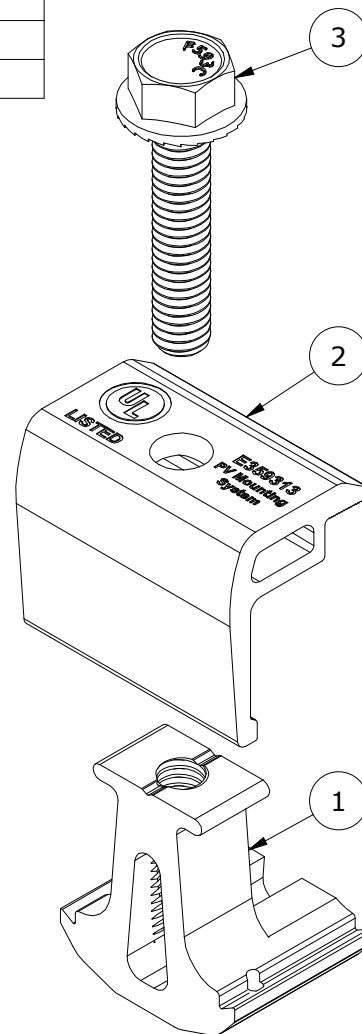
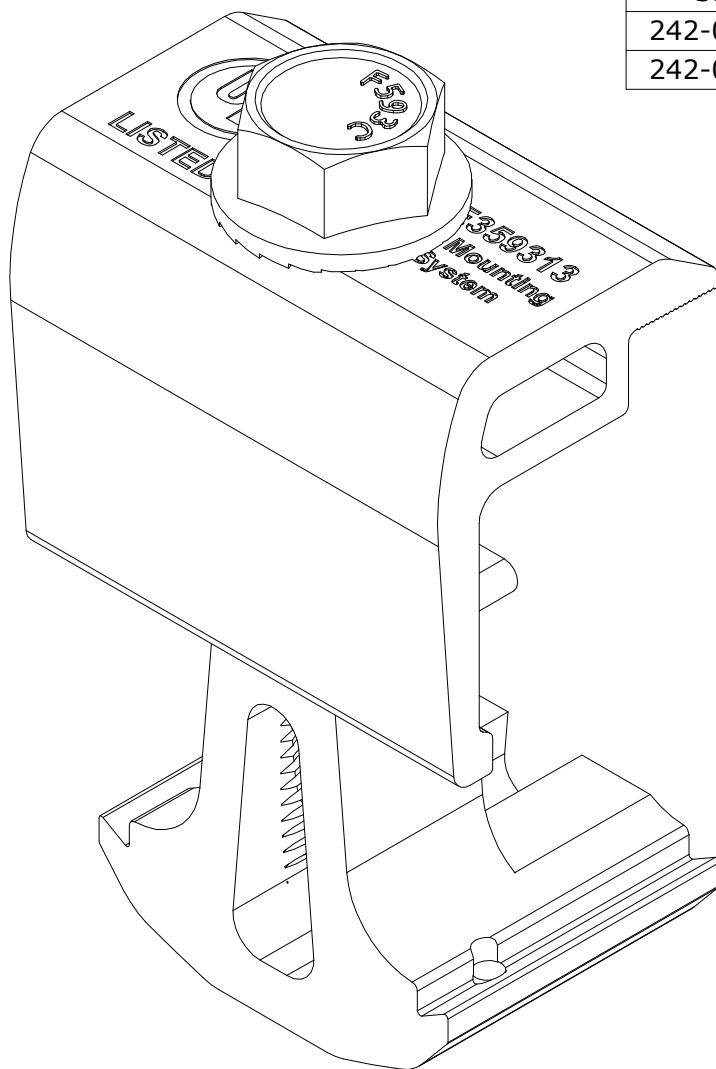
SUNRUN INSTALLATION SERVICES INC.

REV: **B** DATE:
 1/19/2023

225 BUSH STREET, SUITE 1400 • SAN FRANCISCO, CA 94104 USA
 PHONE (877) 732-2860 • CONTACT@SNAPNRACK.COM
THE INFORMATION IN THIS DRAWING IS CONFIDENTIAL AND PROPRIETARY. ANY REPRODUCTION, DISCLOSURE, OR USE THEREOF IS PROHIBITED WITHOUT THE WRITTEN CONSENT OF SUNRUN SOUTH LLC.

UNITS: IN, LB, DEG [MM, KG, DEG] SHEET: 1:2

SKU	COLOR
242-02072	SILVER
242-02073	BLACK



PARTS LIST

ITEM	QTY	DESCRIPTION
1	1	SNAPNRACK, ULTRA RAIL END CLAMP, BASE
2	1	SNAPNRACK, ULTRA RAIL END CLAMP, TOP
3	1	BOLT, FLANGE SERRATED, 5/16IN-18 X 1-1/2IN, SS

NOTE:
 CLAMPS FIT 30-46MM THICK MODULE FRAMES

MATERIALS:	6000 SERIES ALUMINUM, STAINLESS STEEL
DESIGN LOAD (LBS):	520
ULTIMATE LOAD (LBS):	2000
TORQUE SPECIFICATION:	16 FT-LBS
CERTIFICATION:	UL 2703, FILE E359313
WEIGHT (LBS):	0.16

DESCRIPTION:
SNAPNRACK, TDS, ULTRA RAIL END CLAMP

DOC NUMBER:
SNR-DC-01338

SnapNrack®

PART NUMBER(S):
242-02072, 242-02073

DRAWN BY:
H.WULFEKOETTER

REV: **B** DATE:
1/19/2023

SUNRUN INSTALLATION SERVICES INC.
225 BUSH STREET, SUITE 1400 • SAN FRANCISCO, CA 94104 USA
PHONE (877) 732-2860 • CONTACT@SNAPNRACK.COM
THE INFORMATION IN THIS DRAWING IS CONFIDENTIAL AND PROPRIETARY. ANY
REPRODUCTION, DISCLOSURE, OR USE THEREOF IS PROHIBITED WITHOUT THE
WRITTEN CONSENT OF SUNRUN SOUTH LLC.

UNITS: IN, LB, DEG [MM, KG, DEG] SHEET: 2:2

