

DESCRIPTION:
**SNAPNRACK, TDS, ULTRA RAIL ADJUSTABLE
 TILE HOOK**

DOC NUMBER:
 SNR-DC-01343

SnapNrack®

PART NUMBER(S):
 242-02729

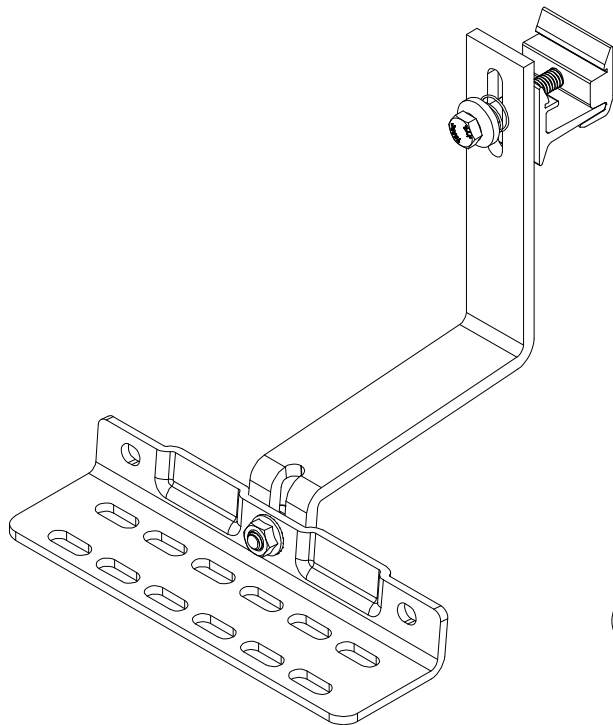
DRAWN BY:
 M.WATKINS

SNR SOLAR LLC
 775 FIERO LANE, SUITE 200
 SAN LUIS OBISPO, CA 93401 USA
 EMAIL: CONTACT@SNAPNRACK.COM

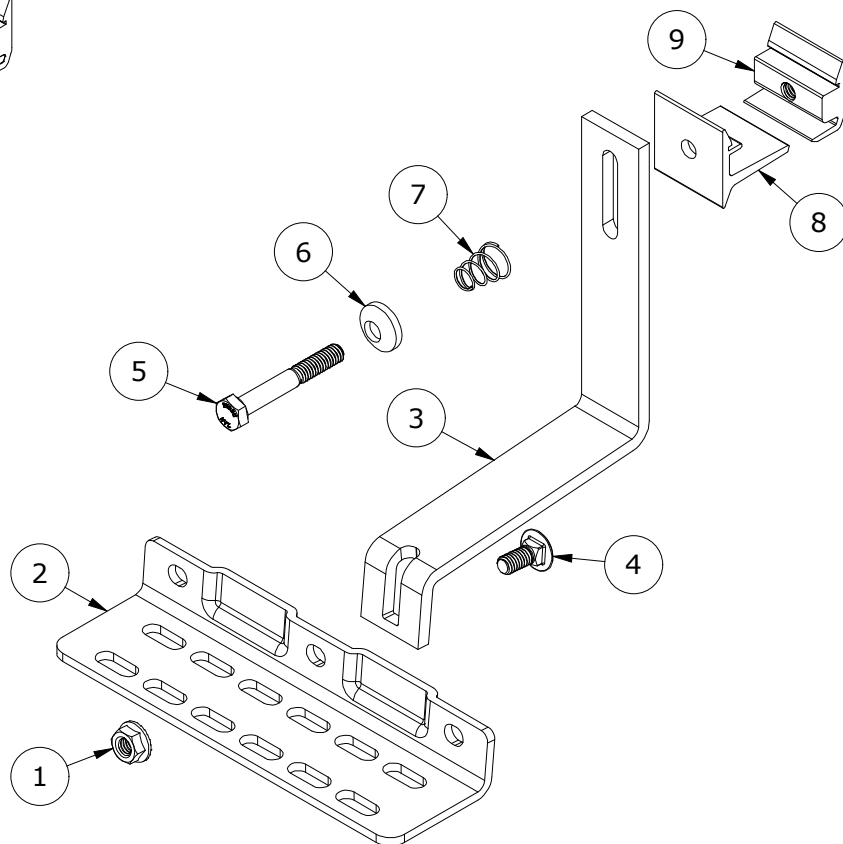
UNITS: IN, LB, DEG [MM, KG, DEG] SHEET: 1:2

REV: DATE:
D 10/3/2024

THE INFORMATION IN THIS DRAWING IS CONFIDENTIAL AND PROPRIETARY. ANY REPRODUCTION, DISCLOSURE, OR USE THEREOF IS PROHIBITED WITHOUT THE WRITTEN CONSENT OF SNR SOLAR LLC.



ISO



EXPLODED

PARTS LIST

ITEM	QTY	DESCRIPTION
1	1	NUT, FLANGE, SERRATED, 5/16IN-18, SS
2	1	SNAPNRACK, ULTRA RAIL, TILE HOOK BASE, ADJUSTABLE
3	1	SNAPNRACK, ULTRA RAIL, TILE HOOK ARM, ADJUSTABLE
4	1	BOLT, CARRIAGE, 5/16IN-18 X 3/4IN, SS
5	1	5/16IN-18 X 2-1/4IN SS HCS BOLT
6	1	SNAPNRACK, ULTRA RAIL MOUNT SPRING CAGE
7	1	SNAPNRACK, ULTRA RAIL MOUNT SPRING, SS
8	1	SNAPNRACK, ULTRA RAIL MOUNT THRU PRC, CLEAR
9	1	SNAPNRACK, ULTRA RAIL MOUNT TAPPED PRC, CLEAR

MATERIALS: 6000 SERIES ALUMINUM, STAINLESS STEEL

DESIGN LOAD (LBS): VARIES BY APPLICATION, REFER TO SNAPNRACK ENGINEERING

ULTIMATE LOAD (LBS): VARIES BY APPLICATION, REFER TO SNAPNRACK ENGINEERING

TORQUE SPECIFICATION: 12 FT-LBS

CERTIFICATION: UL 2703, FILE E359313

WEIGHT (LBS): 2.08

DESCRIPTION:
**SNAPNRACK, TDS, ULTRA RAIL ADJUSTABLE
 TILE HOOK**

DOC NUMBER:
 SNR-DC-01343

SnapNrack®

PART NUMBER(S):

242-02729

DRAWN BY:
 M.WATKINS

REV: **D** DATE:
 10/3/2024

SNR SOLAR LLC

775 FIERO LANE, SUITE 200
 SAN LUIS OBISPO, CA 93401 USA
 EMAIL: CONTACT@SNAPNRACK.COM

THE INFORMATION IN THIS DRAWING IS CONFIDENTIAL AND PROPRIETARY. ANY
 REPRODUCTION, DISCLOSURE, OR USE THEREOF IS PROHIBITED WITHOUT THE
 WRITTEN CONSENT OF SNR SOLAR LLC.

UNITS: IN, LB, DEG [MM, KG, DEG]

SHEET: 2:2

