

DESCRIPTION:
**SNAPRACK, CONDUIT SUPPORT ASSEMBLY,
 3-4IN EMT**

DOC NUMBER:
 SNR-DC-01367

SnapNrack®

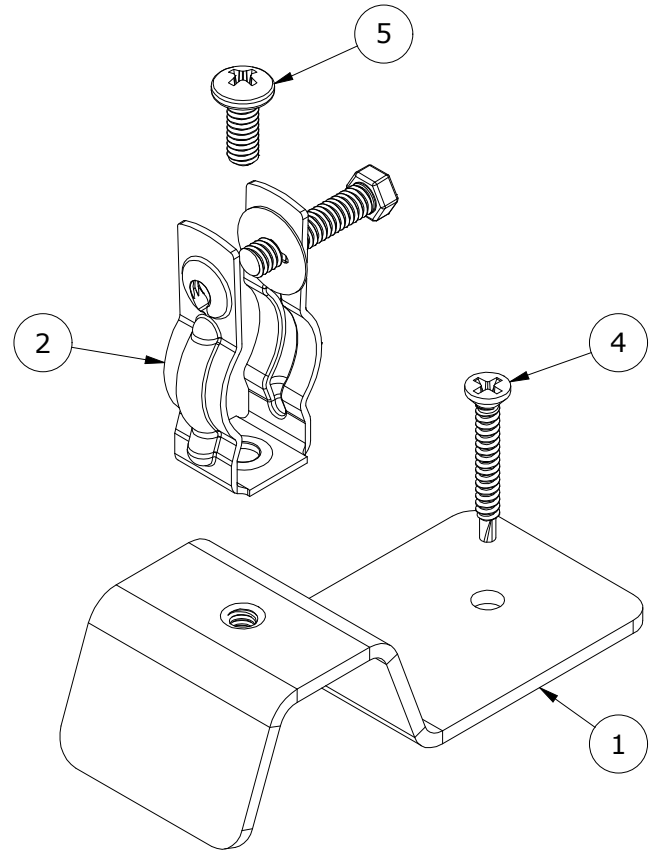
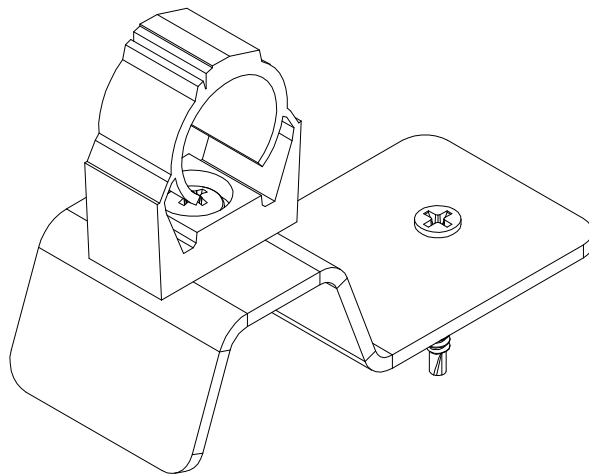
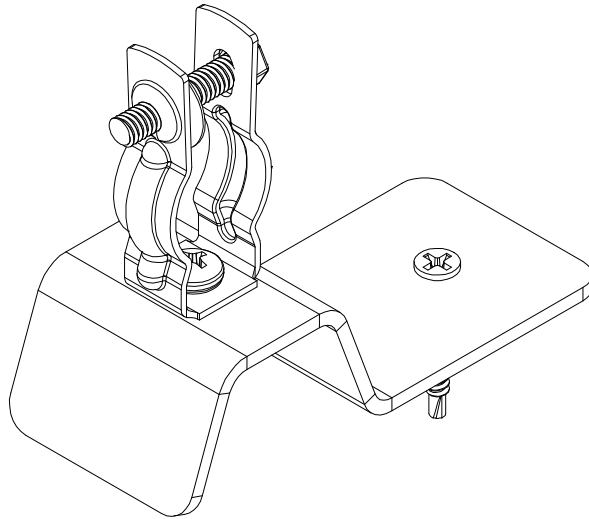
PART NUMBER(S):
 242-02730, 242-02731, 242-02732, 242-02733

DRAWN BY:
 H.WULFEKOETTER

REV: **B** DATE:
 1/23/2023

SUNRUN INSTALLATION SERVICES INC.
 225 BUSH STREET, SUITE 1400 • SAN FRANCISCO, CA 94104 USA
 PHONE (877) 732-2860 • CONTACT@SNAPNRACK.COM
THE INFORMATION IN THIS DRAWING IS CONFIDENTIAL AND PROPRIETARY. ANY REPRODUCTION, DISCLOSURE, OR USE THEREOF IS PROHIBITED WITHOUT THE WRITTEN CONSENT OF SUNRUN SOUTH LLC.

UNITS: IN, LB, DEG [MM, KG, DEG] SHEET: 1:2



CONDUIT SUPPORT DETAILS		
SKU	MATERIAL	SIZE
242-02730	EMT	3/4"
242-02731	EMT	1"
242-02732	PVC	3/4"
242-02733	PVC	1"

PARTS LIST

ITEM	QTY	DESCRIPTION
1	1	SNAPNRACK, CONDUIT MOUNT PRC, 1/4IN-20 TAPPED, 1060 AL, MILL
2	1	CONDUIT SUPPORT, SIZE / MATERIAL VARIES, 1/4IN HOLE, ZINC PLATED STEEL / PVC
4	1	SCREW, SELF-DRILLING, #10 x 1-1/2IN, FLAT HEAD PHILLIPS, SS
5	1	SCREW, MACHINE, 1-4IN-20 X 5-8IN, PAN HEAD PHILLIPS, SS

MATERIALS: 1000 SERIES ALUMINUM, STAINLESS STEEL, ZINC PLATED STEEL, PVC

DESIGN LOAD (LBS): N/A

ULTIMATE LOAD (LBS): N/A

TORQUE SPECIFICATION: N/A FT-LBS

CERTIFICATION: N/A

WEIGHT (LBS): 0.22 - 0.27

DESCRIPTION:
SNAPRACK, CONDUIT SUPPORT ASSEMBLY,
3-4IN EMT

DOC NUMBER:
SNR-DC-01367

SnapNrack®

PART NUMBER(S):
242-02730, 242-02731, 242-02732, 242-02733

DRAWN BY:
H.WULFEKOETTER

SUNRUN INSTALLATION SERVICES INC.

REV: **B** DATE:
1/23/2023

225 BUSH STREET, SUITE 1400 • SAN FRANCISCO, CA 94104 USA
PHONE (877) 732-2860 • CONTACT@SNAPNRACK.COM

THE INFORMATION IN THIS DRAWING IS CONFIDENTIAL AND PROPRIETARY. ANY
REPRODUCTION, DISCLOSURE, OR USE THEREOF IS PROHIBITED WITHOUT THE
WRITTEN CONSENT OF SUNRUN SOUTH LLC.

UNITS: IN, LB, DEG [MM, KG, DEG]

SHEET: 2:2

