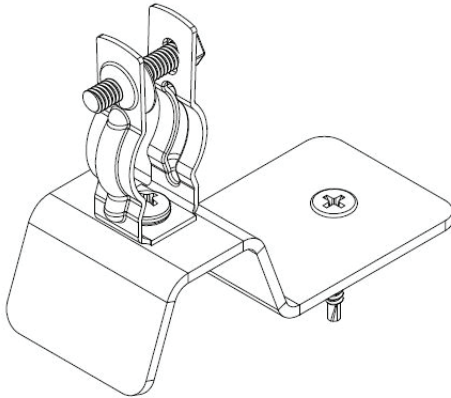
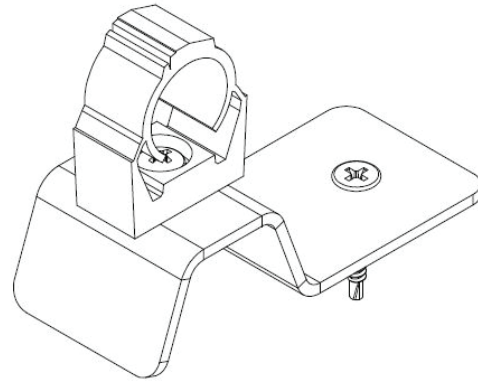


Comp Conduit Support Installation Manual



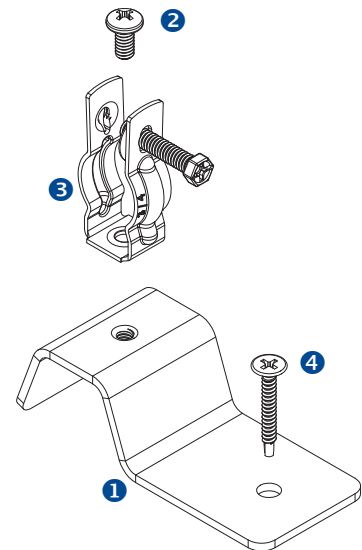
3/4" EMT
242-02730
1" EMT
242-02731



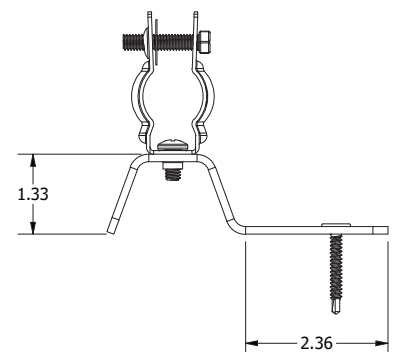
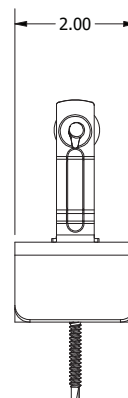
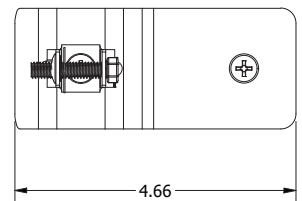
3/4" PVC
242-02732
1" PVC
242-02733

Materials Included - Comp Conduit Mount

- ❶ (1) Composition Conduit Mount
- ❷ (1) 1/4-20 x 1/2", Zinc Machine Screw
- ❸ (1) Conduit Strap for:
 - 3/4" EMT Conduit
 - 1" EMT Conduit
 - 3/4" PVC Conduit
 - 1" PVC Conduit
- ❹ (1) #10 x 1-1/2", SS Self Drilling Screw



Technical Specifications	
Dimensions	Approximately 1.75" Above Roof Surface (to bottom of conduit)
Material	Conduit Mount: Folded 1060-H24 Aluminum Machine Screw: 1/4-20 x 1/2", Zinc, Pan Head Phillips Self-Drilling Screw: #10 x 1 1/2", SS, Flat Head Phillips Rigid EMT Conduit Strap: bolt in, Zinc-Plated Steel PVC Conduit Strap: Snap in, PVC
Compatibility	Installs on Composition Shingle Roofs 3/4" EMT Conduit, 1" EMT Conduit, 3/4" PVC Conduit, 1" PVC Conduit



Required Tools

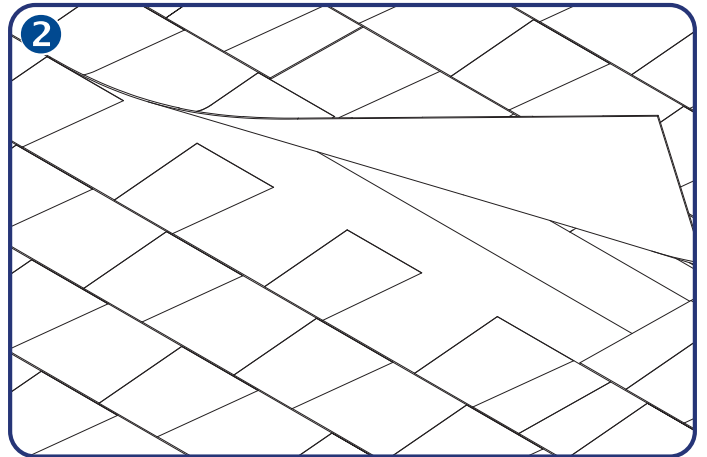
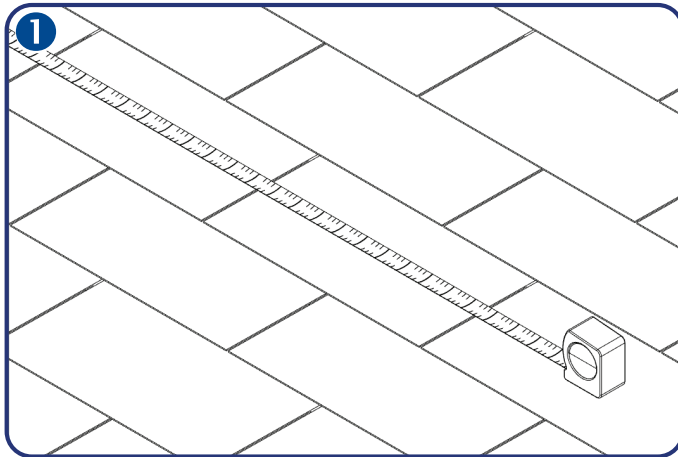
- Caulking Gun with Appropriate Roofing Sealant
- Phillips Head Screwdriver
- Tape Measure

Step-by-Step Instructions

1. Determine location of conduit supports based on conduit run and mark roof surface if desired.

Design Note: Conduit support locations shall meet the requirements of NEC Article 358, and should not exceed 10' between supports or 3' from enclosures.

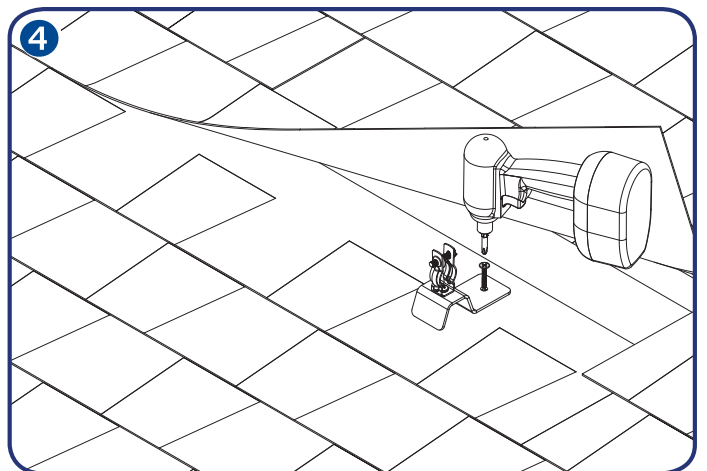
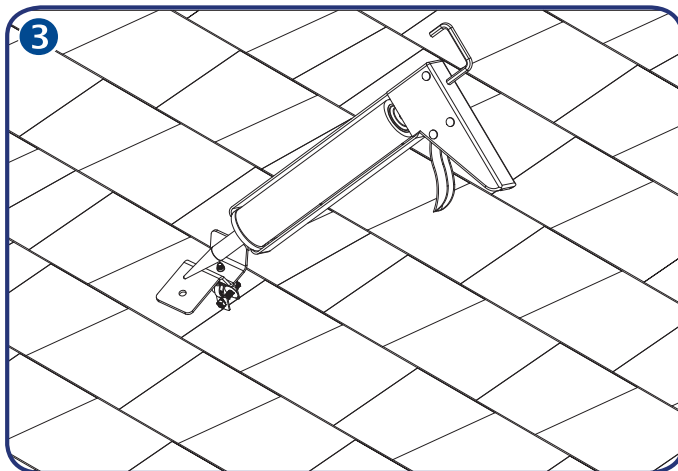
2. Using a flat pry bar loosen the composition shingle course above the conduit layout.



3. Apply roofing sealant to the bottom of Conduit Mount and directly onto the self-drilling screw to ensure a watertight seal.

4. Place Conduit Mount so flat portion is under the loosened shingle course and attach Conduit Mount with provided #10 self-drilling screw into the roof decking.

Install Note: Conduit Mounts must be installed no less than 6" from gaps between sheets composition shingle.



Step-by-Step Instructions

5. Installed Composition Conduit Mounts should be installed with flat portion under shingle course.

Install Note: Applying sealant to installed Conduit Mount and surrounding area will adhere loosened shingle in place.

6. Drop conduit into the support strap and tighten hardware until conduit is secure.

