

SNAPNRACK UR SPEEDSEAL FOOT ON METAL PURLINS

BIN: 3

REVISION:		
1	10/15/2020	NEW DETAIL MJA

REFER TO SNAPNRACK ENGINEERING CHARTS FOR APPLICABLE RAIL SPANS. "BIN" NUMBER ON CHART SHOULD MATCH "BIN" NUMBER ON THIS DRAWING

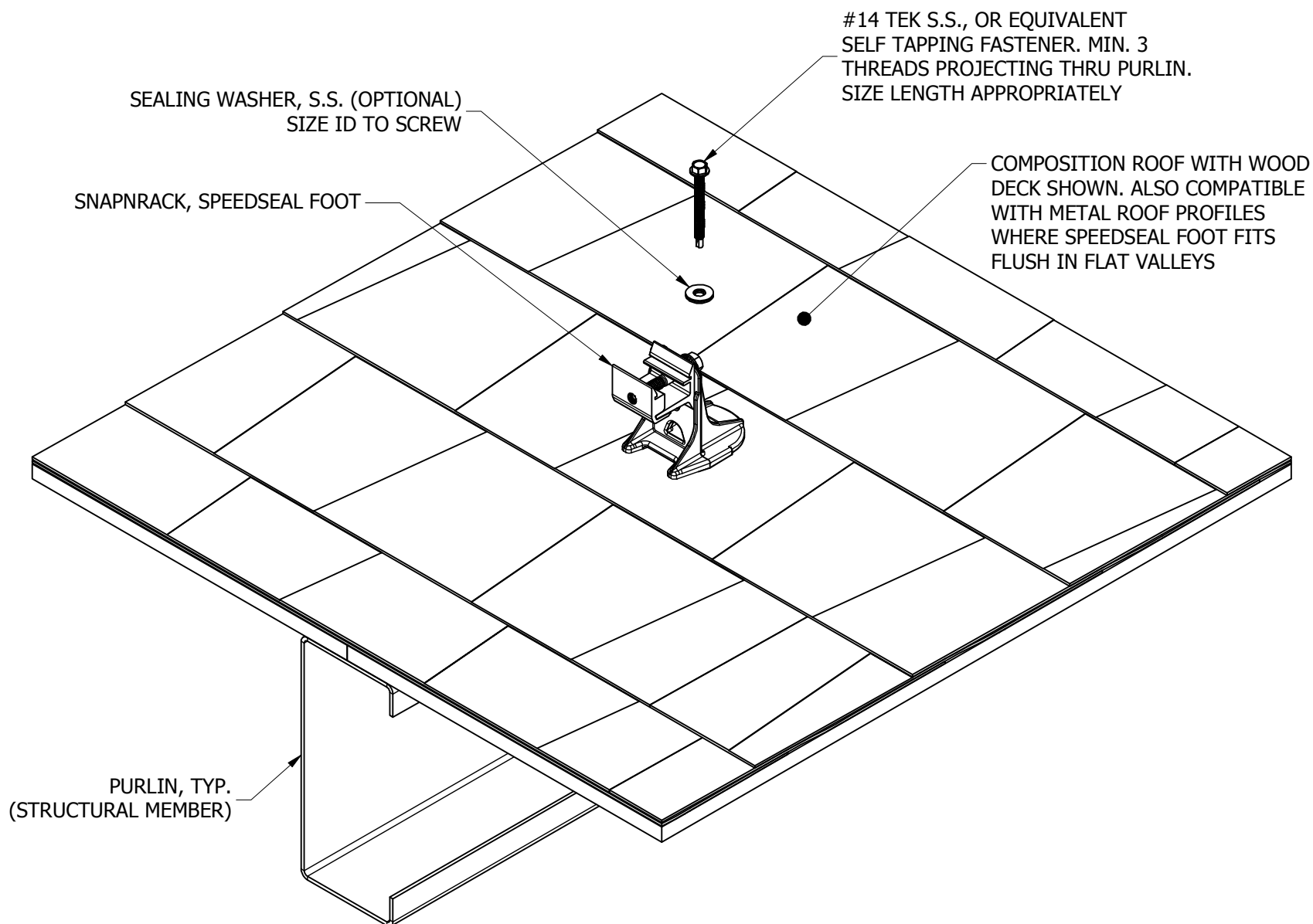
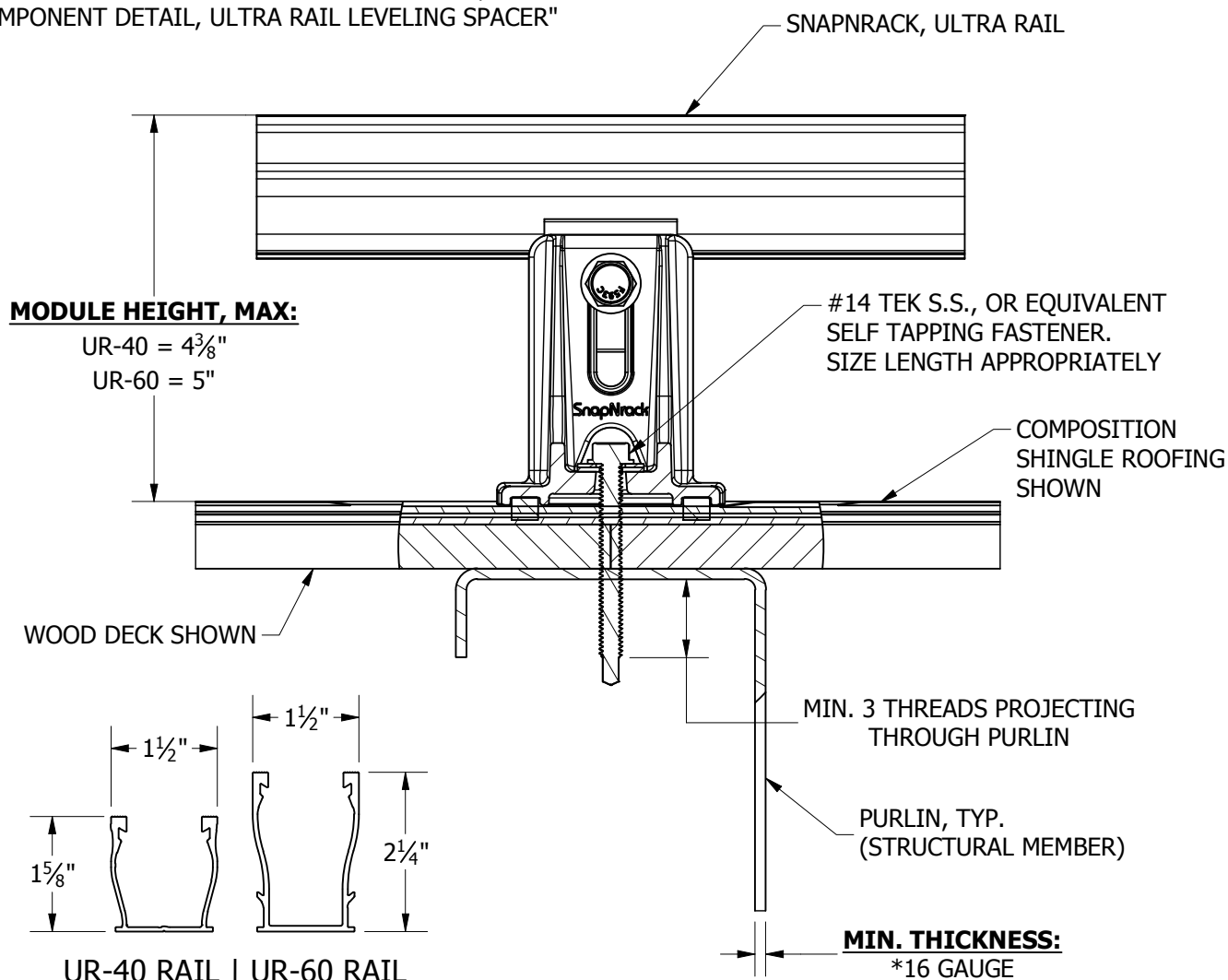
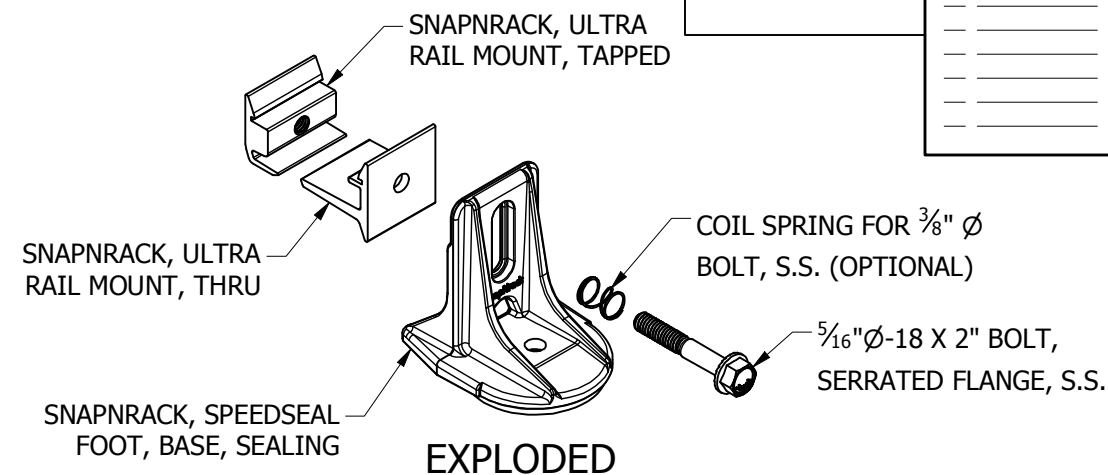
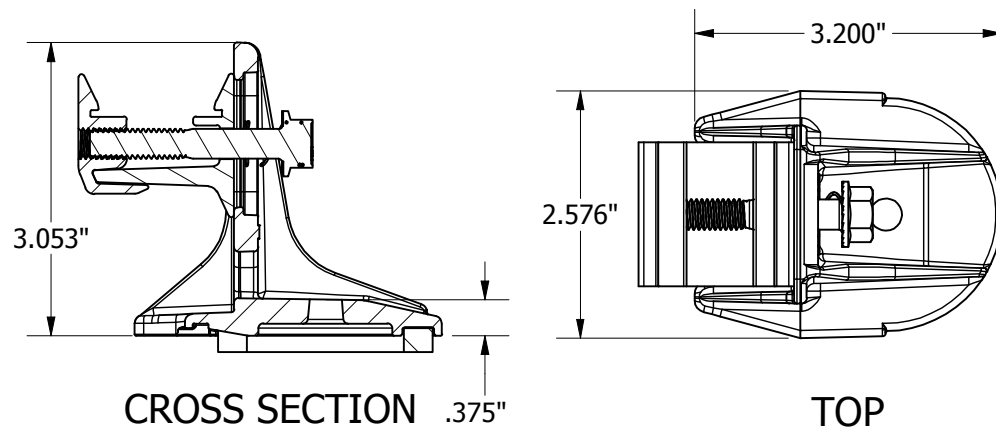
#14 TEK S.S., OR EQUIVALENT SELF TAPPING FASTENER, WITH MINIMUM 3 THREADS PROJECTING THROUGH PURLIN. REFER TO FASTENER MANUFACTURER FOR TORQUE SPECIFICATIONS

*IF MINIMUM 16GA PURLIN THICKNESS IS NOT MET, OR SPANS ARE NOT SUFFICIENT, CONTACT SNAPNRACK FOR RE-EVALUATION

REFER TO SNAPNRACK INSTALLATION MANUAL FOR 5/16"Ø HARDWARE TORQUE SPECIFICATIONS

UR SPEEDSEAL FOOT CAN BE MOUNTED UP, DOWN, OR ACROSS THE ROOF SLOPE

FOR LEVELING DETAILS, REFER TO SNAPNRACK DETAIL DRAWING "SNR-DC-00447 ULTRA RAIL, COMPONENT DETAIL, ULTRA RAIL LEVELING SPACER"



UR-40 RAIL | UR-60 RAIL
FOR USE WITH SNAPNRACK ULTRA SERIES RAILS



Sunrun South LLC
595 MARKET STREET, 29TH FLOOR • SAN FRANCISCO, CA 94105 USA
PHONE (415) 580-6900 • FAX (415) 580-6902
THE INFORMATION IN THIS DRAWING IS CONFIDENTIAL AND PROPRIETARY. ANY REPRODUCTION, DISCLOSURE, OR USE THEREOF IS PROHIBITED WITHOUT THE WRITTEN CONSENT OF SUNRUN SOUTH LLC.

DESIGNER: M.AFFENTRANGER
DRAFTER: M.AFFENTRANGER
APPROVED BY: B.PETERSON

SCALE: DNS
DATE: 10/15/2020

DRAWING NUMBER:
SNR-DC-00456

DESCRIPTION:
ULTRA RAIL, ATTACHMENT DETAIL, UR SPEEDSEAL FOOT TO PURLIN

REV: 1