

DESCRIPTION:
**ULTRA RAIL STANDARD BASE SEAM CLAMP WITH
SIMPLE TILT BACK LEG 10 DEG LANDSCAPE**

DRAWN BY:

mwatkins

REVISION:

B

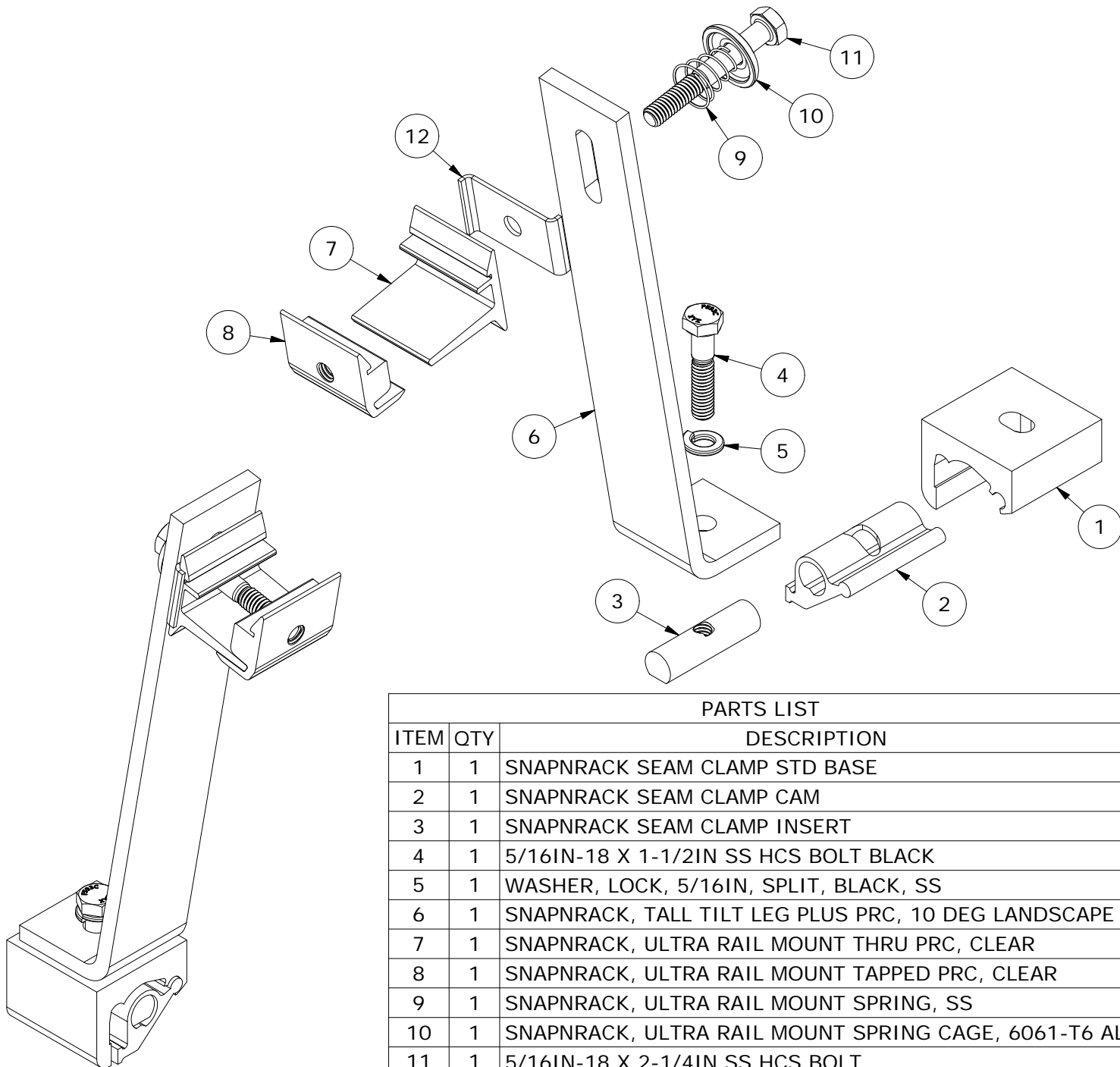
SnapNrack™
Solar Mounting Solutions

PART NUMBER(S):

242-92123

595 MARKET STREET, 29TH FLOOR • SAN FRANCISCO, CA 94105 USA
PHONE (415) 580-6900 • FAX (415) 580-6902

THE INFORMATION IN THIS DRAWING IS CONFIDENTIAL AND PROPRIETARY. ANY REPRODUCTION, DISCLOSURE, OR USE THEREOF IS PROHIBITED WITHOUT THE WRITTEN CONSENT OF SUNRUN SOUTH LLC.



PARTS LIST

ITEM	QTY	DESCRIPTION
1	1	SNAPNRACK SEAM CLAMP STD BASE
2	1	SNAPNRACK SEAM CLAMP CAM
3	1	SNAPNRACK SEAM CLAMP INSERT
4	1	5/16IN-18 X 1-1/2IN SS HCS BOLT BLACK
5	1	WASHER, LOCK, 5/16IN, SPLIT, BLACK, SS
6	1	SNAPNRACK, TALL TILT LEG PLUS PRC, 10 DEG LANDSCAPE
7	1	SNAPNRACK, ULTRA RAIL MOUNT THRU PRC, CLEAR
8	1	SNAPNRACK, ULTRA RAIL MOUNT TAPPED PRC, CLEAR
9	1	SNAPNRACK, ULTRA RAIL MOUNT SPRING, SS
10	1	SNAPNRACK, ULTRA RAIL MOUNT SPRING CAGE, 6061-T6 AL
11	1	5/16IN-18 X 2-1/4IN SS HCS BOLT
12	1	SNAPNRACK, SEAM CLAMP ROTATION LOCK

MATERIALS:

6000 SERIES ALUMINUM, STAINLESS STEEL

DESIGN LOAD (LBS):

N/A

OPTIONS:

ULTIMATE LOAD (LBS):

N/A

TORQUE SPECIFICATION:

15-16 LB-FT

CERTIFICATION:

UL 2703, FILE E359313

WEIGHT (LBS):

0.89

DESCRIPTION:

ULTRA RAIL STANDARD BASE SEAM CLAMP WITH
SIMPLE TILT BACK LEG 10 DEG LANDSCAPE

PART NUMBER(S):

242-92123

DRAWN BY:

mwatkins

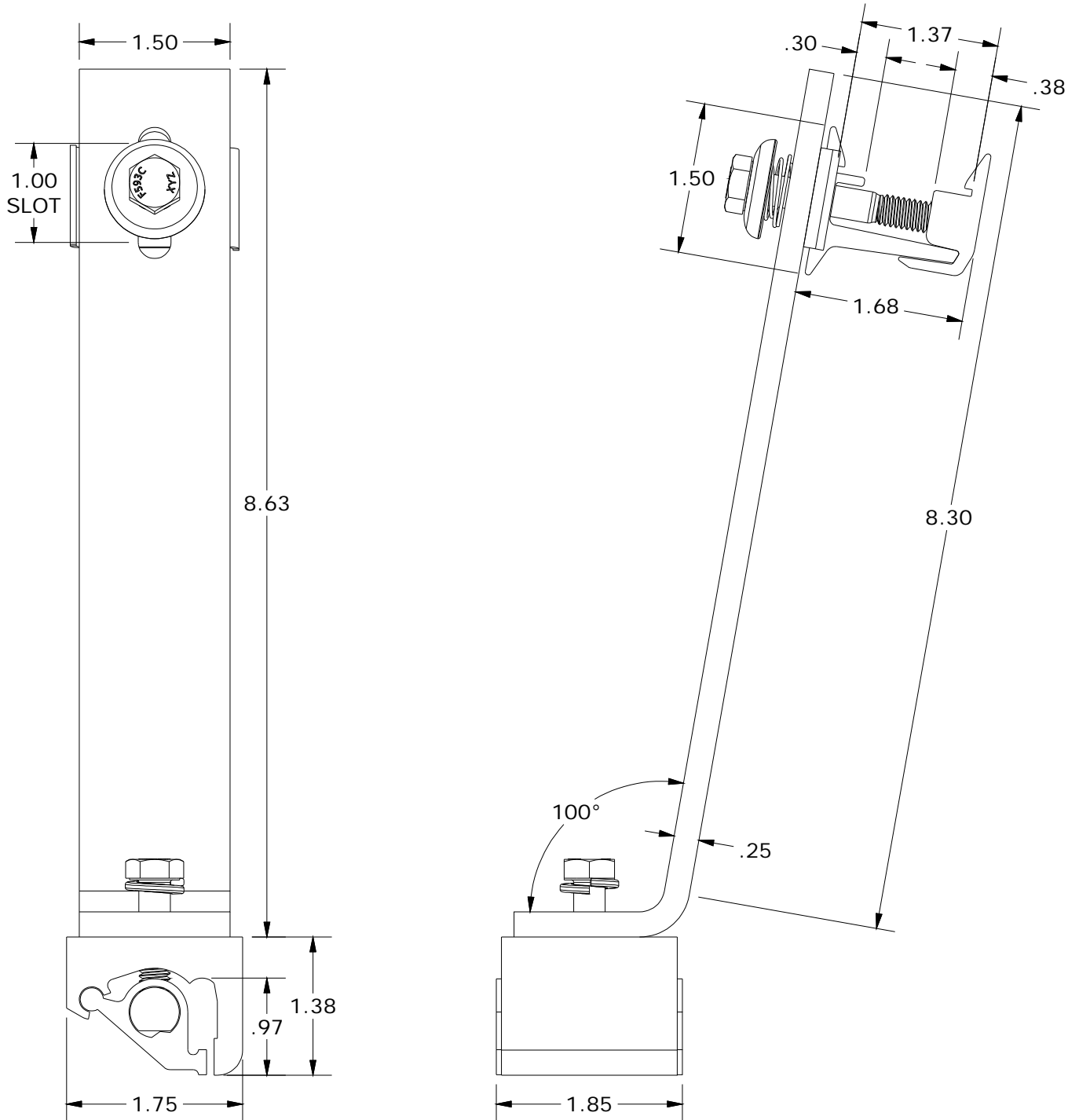
REVISION:

B

SnapNrack™
Solar Mounting Solutions

595 MARKET STREET, 29TH FLOOR • SAN FRANCISCO, CA 94105 USA
PHONE (415) 580-6900 • FAX (415) 580-6902

THE INFORMATION IN THIS DRAWING IS CONFIDENTIAL AND PROPRIETARY. ANY
REPRODUCTION, DISCLOSURE, OR USE THEREOF IS PROHIBITED WITHOUT THE
WRITTEN CONSENT OF SUNRUN SOUTH LLC.



ALL DIMENSIONS IN INCHES