

DESCRIPTION:  
**ULTRA RAIL WIDE BASE SEAM CLAMP WITH  
 SIMPLE TILT BACK LEG 10 DEG LANDSCAPE**

DOC NUMBER:  
 SNR-DC-01356

SnapNrack®

PART NUMBER(S):

242-92126

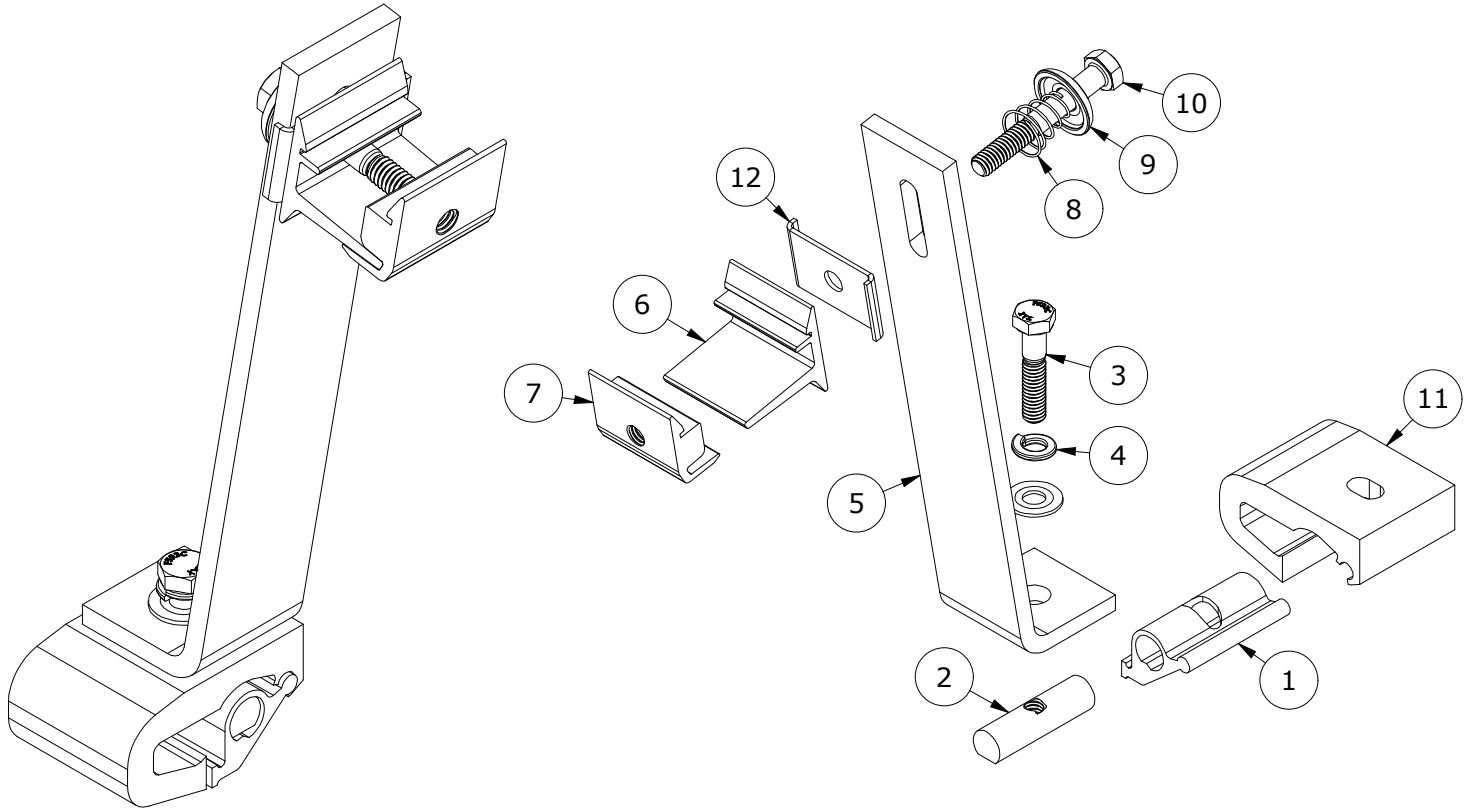
DRAWN BY:  
 H.WULFEKOETTER

REV: **C**      DATE:  
 1/23/2023

SUNRUN INSTALLATION SERVICES INC.  
 225 BUSH STREET, SUITE 1400 • SAN FRANCISCO, CA 94104 USA  
 PHONE (877) 732-2860 • CONTACT@SNAPNRACK.COM  
THE INFORMATION IN THIS DRAWING IS CONFIDENTIAL AND PROPRIETARY. ANY REPRODUCTION, DISCLOSURE, OR USE THEREOF IS PROHIBITED WITHOUT THE WRITTEN CONSENT OF SUNRUN SOUTH LLC.

UNITS: IN, LB, DEG [MM, KG, DEG]

SHEET: 1:2



**PARTS LIST**

ITEM	QTY	DESCRIPTION
1	1	SNAPNRACK SEAM CLAMP CAM
2	1	SNAPNRACK SEAM CLAMP INSERT
3	1	5/16IN-18 X 1-1/2IN SS HCS BOLT BLACK
4	1	WASHER, LOCK, 5/16IN, SPLIT, BLACK, SS
5	1	SNAPNRACK, ULTRA RAIL SIMPLE TILT PRC, 10 DEG LANDSCAPE
6	1	SNAPNRACK, ULTRA RAIL MOUNT THRU PRC, CLEAR
7	1	SNAPNRACK, ULTRA RAIL MOUNT TAPPED PRC, CLEAR
8	1	SNAPNRACK, ULTRA RAIL MOUNT SPRING, SS
9	1	SNAPNRACK, ULTRA RAIL MOUNT SPRING CAGE, 6061-T6 AL
10	1	5/16IN-18 X 2-1/4IN SS HCS BOLT
11	1	SNAPNRACK, SEAM CLAMP WIDE BASE, CLEAR
12	1	SNAPNRACK, SEAM CLAMP ROTATION LOCK
13	1	5-16IN X 3-4IN SS FLAT WASHER

MATERIALS: 6000 SERIES ALUMINUM, STAINLESS STEEL

DESIGN LOAD (LBS): N/A

ULTIMATE LOAD (LBS): N/A

TORQUE SPECIFICATION: 15-16 FT-LBS

CERTIFICATION: UL 2703, FILE E359313

WEIGHT (LBS): 0.99

DESCRIPTION:  
**ULTRA RAIL WIDE BASE SEAM CLAMP WITH  
 SIMPLE TILT BACK LEG 10 DEG LANDSCAPE**

DOC NUMBER:  
 SNR-DC-01356

SnapNrack®

PART NUMBER(S):

242-92126

DRAWN BY:  
 H.WULFEKOETTER

REV: **C**      DATE:  
 1/23/2023

SUNRUN INSTALLATION SERVICES INC.

225 BUSH STREET, SUITE 1400 • SAN FRANCISCO, CA 94104 USA  
 PHONE (877) 732-2860 • CONTACT@SNAPNRACK.COM

THE INFORMATION IN THIS DRAWING IS CONFIDENTIAL AND PROPRIETARY. ANY  
 REPRODUCTION, DISCLOSURE, OR USE THEREOF IS PROHIBITED WITHOUT THE  
 WRITTEN CONSENT OF SUNRUN SOUTH LLC.

UNITS: IN, LB, DEG [MM, KG, DEG]

SHEET: 2:2

