

DESCRIPTION:
**ULTRA RAIL STANDARD BASE SEAM CLAMP
 WITH SIMPLE TILT BACK LEG 10 DEG PORTRAIT**

DOC NUMBER:
 SNR-DC-01357

SnapNrack®

PART NUMBER(S):

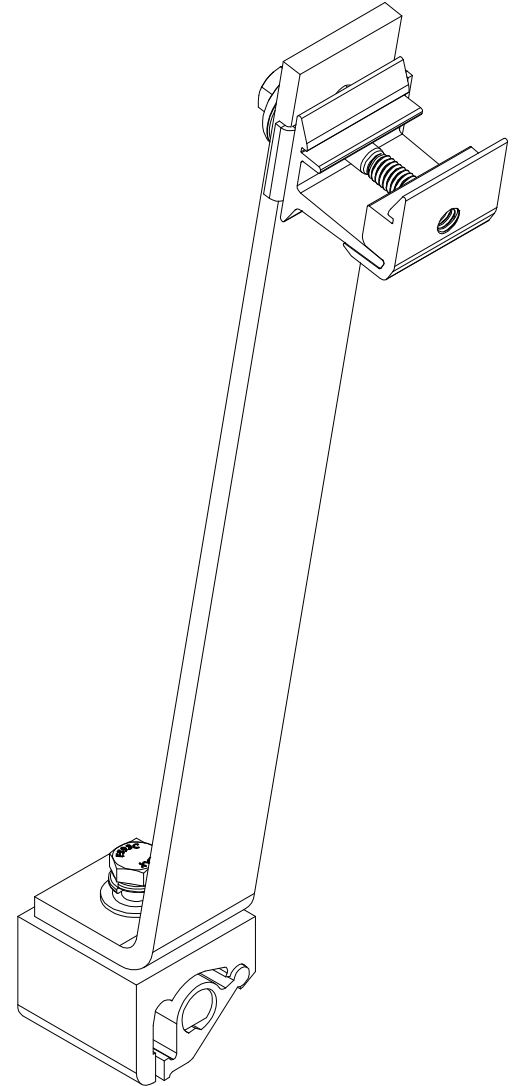
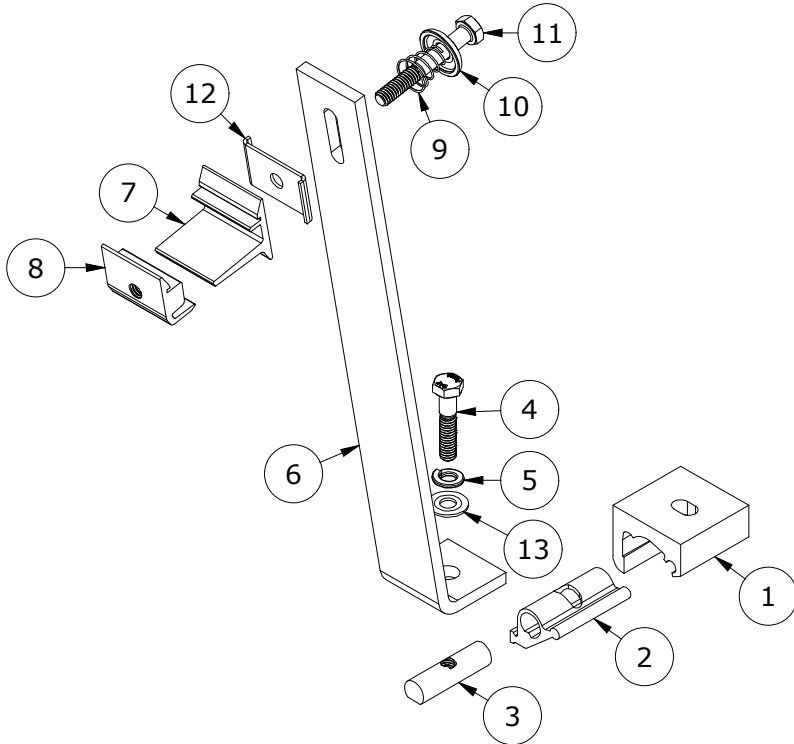
242-92122

DRAWN BY:
 H.WULFEKOETTER

REV: **C** DATE:
 1/23/2023

SUNRUN INSTALLATION SERVICES INC.
 225 BUSH STREET, SUITE 1400 • SAN FRANCISCO, CA 94104 USA
 PHONE (877) 732-2860 • CONTACT@SNAPNRACK.COM
THE INFORMATION IN THIS DRAWING IS CONFIDENTIAL AND PROPRIETARY. ANY REPRODUCTION, DISCLOSURE, OR USE THEREOF IS PROHIBITED WITHOUT THE WRITTEN CONSENT OF SUNRUN SOUTH LLC.

UNITS: IN, LB, DEG [MM, KG, DEG] SHEET: 1:2



PARTS LIST

| ITEM | QTY | DESCRIPTION |
|------|-----|--|
| 1 | 1 | SNAPNRACK SEAM CLAMP STD BASE |
| 2 | 1 | SNAPNRACK SEAM CLAMP CAM |
| 3 | 1 | SNAPNRACK SEAM CLAMP INSERT |
| 4 | 1 | 5/16IN-18 X 1-1/2IN SS HCS BOLT BLACK |
| 5 | 1 | WASHER, LOCK, 5/16IN, SPLIT, BLACK, SS |
| 6 | 1 | SNAPNRACK, ULTRA RAIL SIMPLE TILT PRC, 10 DEG PORTRAIT |
| 7 | 1 | SNAPNRACK, ULTRA RAIL MOUNT THRU PRC, CLEAR |
| 8 | 1 | SNAPNRACK, ULTRA RAIL MOUNT TAPPED PRC, CLEAR |
| 9 | 1 | SNAPNRACK, ULTRA RAIL MOUNT SPRING, SS |
| 10 | 1 | SNAPNRACK, ULTRA RAIL MOUNT SPRING CAGE, 6061-T6 AL |
| 11 | 1 | 5/16IN-18 X 2-1/4IN SS HCS BOLT |
| 12 | 1 | SNAPNRACK, SEAM CLAMP ROTATION LOCK |
| 13 | 1 | 5-16IN X 3-4IN SS FLAT WASHER |

MATERIALS: 6000 SERIES ALUMINUM, STAINLESS STEEL

DESIGN LOAD (LBS): N/A

ULTIMATE LOAD (LBS): N/A

TORQUE SPECIFICATION: 15-16 FT-LBS

CERTIFICATION: UL 2703, FILE E359313

WEIGHT (LBS): 1.04

DESCRIPTION:
**ULTRA RAIL STANDARD BASE SEAM CLAMP
 WITH SIMPLE TILT BACK LEG 10 DEG PORTRAIT**

DOC NUMBER:
 SNR-DC-01357

SnapNrack®

PART NUMBER(S):

242-92122

DRAWN BY:
 H.WULFEKOETTER

SUNRUN INSTALLATION SERVICES INC.

REV: **C** DATE: 1/23/2023

225 BUSH STREET, SUITE 1400 • SAN FRANCISCO, CA 94104 USA
 PHONE (877) 732-2860 • CONTACT@SNAPNRACK.COM

THE INFORMATION IN THIS DRAWING IS CONFIDENTIAL AND PROPRIETARY. ANY
 REPRODUCTION, DISCLOSURE, OR USE THEREOF IS PROHIBITED WITHOUT THE
 WRITTEN CONSENT OF SUNRUN SOUTH LLC.

UNITS: IN, LB, DEG [MM, KG, DEG]

SHEET: 2:2

