

DESCRIPTION:
SNAPNRACK, ADD-A-LIP BOX FRAME ADAPTER

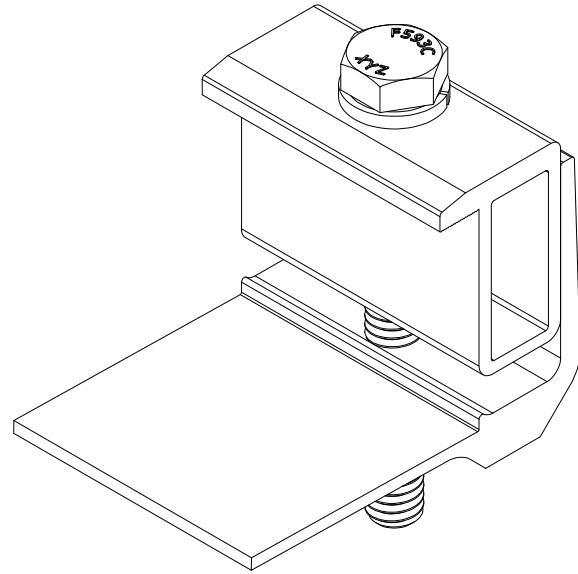
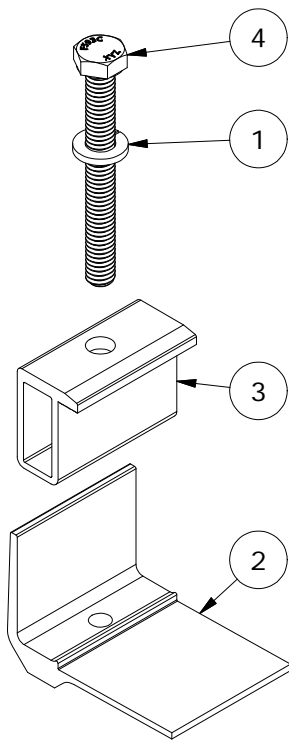
DRAWN BY:
 mwatkins



PART NUMBER(S):
242-01101

REVISION:
A

595 MARKET STREET, 29TH FLOOR • SAN FRANCISCO, CA 94105 USA
 PHONE (415) 580-6900 • FAX (415) 580-6902
 THE INFORMATION IN THIS DRAWING IS CONFIDENTIAL AND PROPRIETARY. ANY REPRODUCTION, DISCLOSURE, OR USE THEREOF IS PROHIBITED WITHOUT THE WRITTEN CONSENT OF SUNRUN SOUTH LLC.



PARTS LIST		
ITEM	QTY	DESCRIPTION
1	1	5/16IN SS SPLIT LOCK WASHER BLACK
2	1	SNAPNRACK ARRAY EDGE SCREEN CLIP ADAPTER BLACK
3	1	SNAPNRACK SELF ADJUSTING END CLAMP TOP BLACK
4	1	BOLT, HEX CAP, 5/16IN-18 X 2-3/4IN, FULLY THREADED, BLACK, SS

MATERIALS:	6000 SERIES ALUMINUM, STAINLESS STEEL
DESIGN LOAD (LBS):	N/A
ULTIMATE LOAD (LBS):	N/A
TORQUE SPECIFICATION:	10+ LB-FT
CERTIFICATION:	N/A
WEIGHT (LBS):	0.21

DESCRIPTION:

SNAPNRACK, ADD-A-LIP BOX FRAME ADAPTER

DRAWN BY:

mwatkins

REVISION:

A

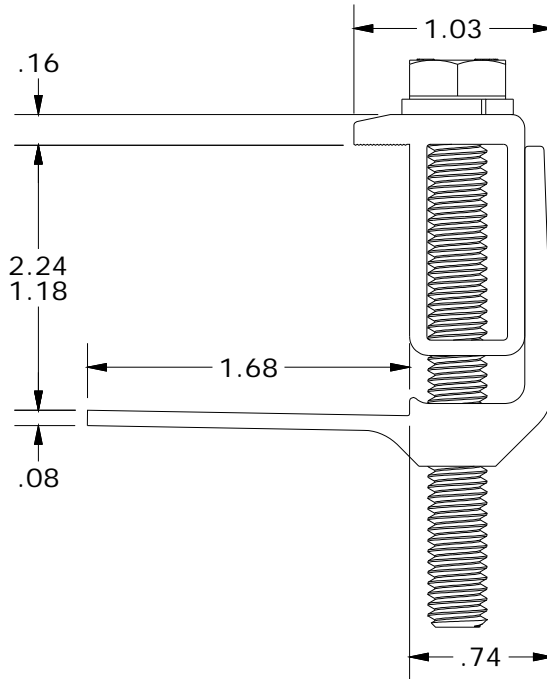
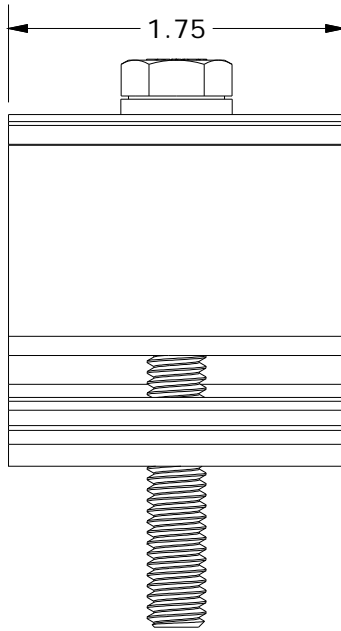
SnapNrack™
Solar Mounting Solutions

PART NUMBER(S):

242-01101

595 MARKET STREET, 29TH FLOOR • SAN FRANCISCO, CA 94105 USA
PHONE (415) 580-6900 • FAX (415) 580-6902

THE INFORMATION IN THIS DRAWING IS CONFIDENTIAL AND PROPRIETARY. ANY REPRODUCTION, DISCLOSURE, OR USE THEREOF IS PROHIBITED WITHOUT THE WRITTEN CONSENT OF SUNRUN SOUTH LLC.



ALL DIMENSIONS IN INCHES