

DESCRIPTION:
SNAPNRACK, TDS, ADD-A-LIP

DOC NUMBER:
SNR-DC-01365

SnapNrack®

PART NUMBER(S):
242-01101

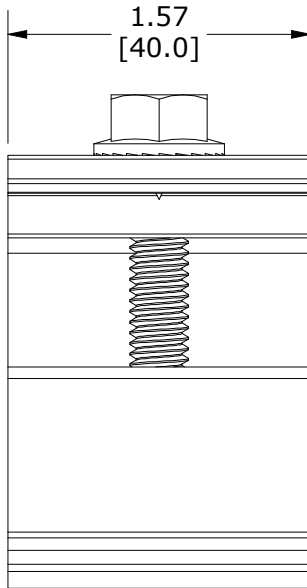
DRAWN BY:
M.AFFENTRANGER

SUNRUN INSTALLATION SERVICES INC.

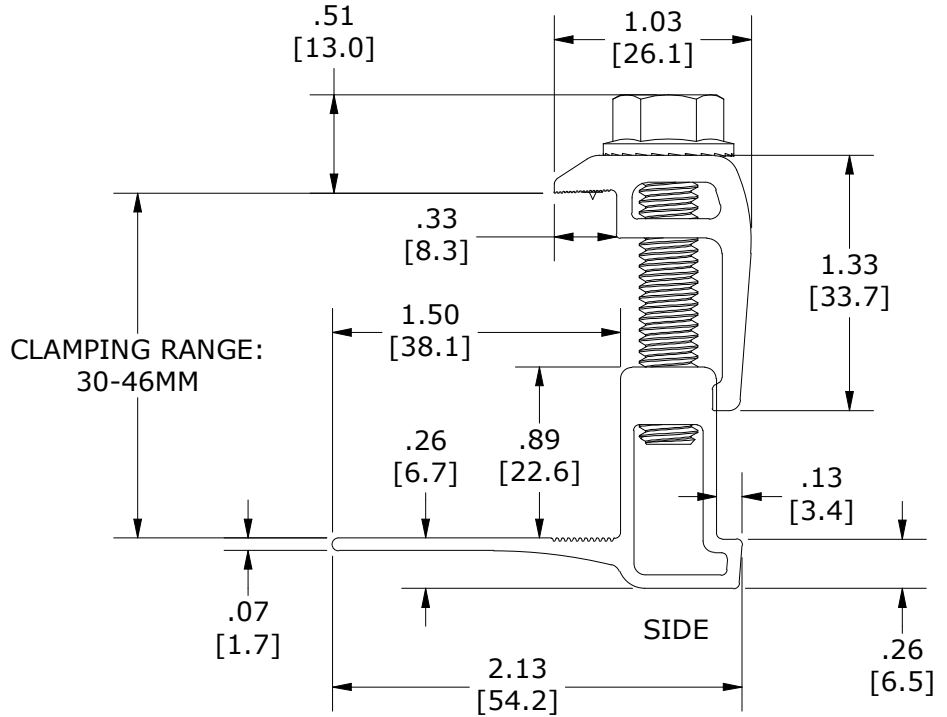
UNITS: IN, LB, DEG [MM, KG, DEG] SHEET: 1:1

REV: C DATE: 3/6/2023

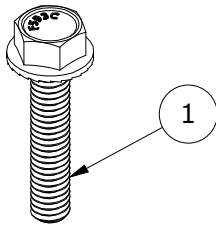
225 BUSH STREET, SUITE 1400 • SAN FRANCISCO, CA 94104 USA
PHONE (877) 732-2860 • CONTACT@SNAPNRACK.COM
THE INFORMATION IN THIS DRAWING IS CONFIDENTIAL AND PROPRIETARY. ANY REPRODUCTION, DISCLOSURE, OR USE THEREOF IS PROHIBITED WITHOUT THE WRITTEN CONSENT OF SUNRUN SOUTH LLC.



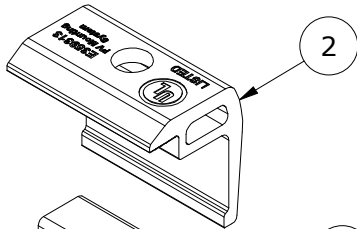
FRONT



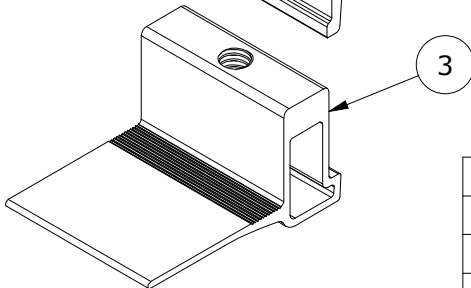
SIDE



1

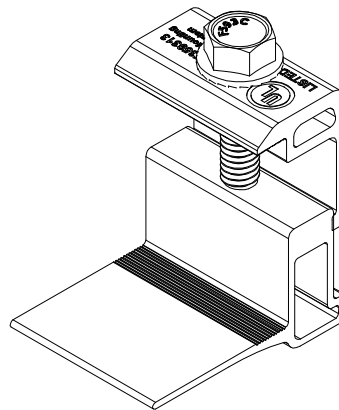


2



3

EXPLODED



ISO

PARTS LIST

ITEM	QTY	DESCRIPTION
1	1	BOLT, FLANGE, SERRATED, 5/16IN-18 X 1-1/2IN, BLACK, SS
2	1	SNAPNRACK, UR END CLAMP TOP, BLACK
3	1	SNAPNRACK, ADD-A-LIP BASE, BLACK

MATERIALS: 6000 SERIES ALUMINUM, STAINLESS STEEL

DESIGN LOAD (LBS): N/A

ULTIMATE LOAD (LBS): N/A

TORQUE SPECIFICATION: 10+ FT-LBS

CERTIFICATION: UL 2703, FILE E359313

WEIGHT (LBS): .17